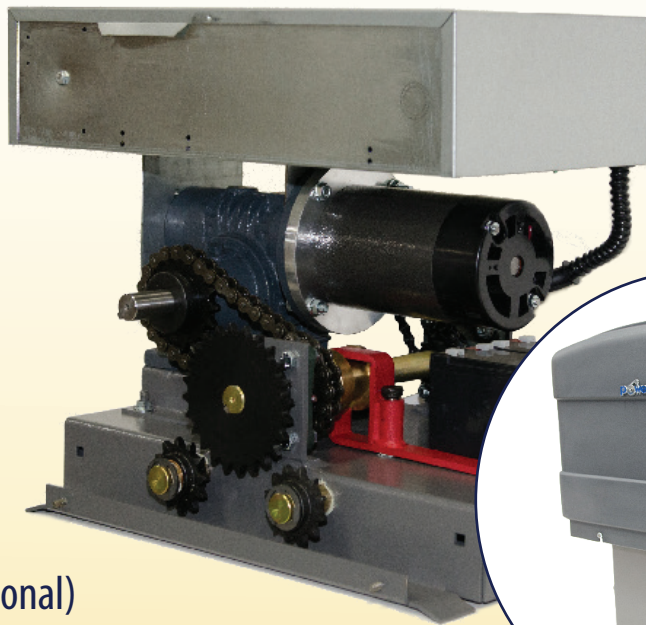


DSG

Vehicular Slide Gate Operator for Commercial and Industrial Applications

Standard Features:

- Battery Backup
- Soft Start / Soft Stop
- Easy Set Limits
- AC Power Outlet
- Easy-Install Design
- Plug-in Loop Detectors (optional)



Complete selection of control stations & accessories are available.

All gate operators must have contact and non-contact sensing system installed for operator to work properly and safely.

www.VEpower.net

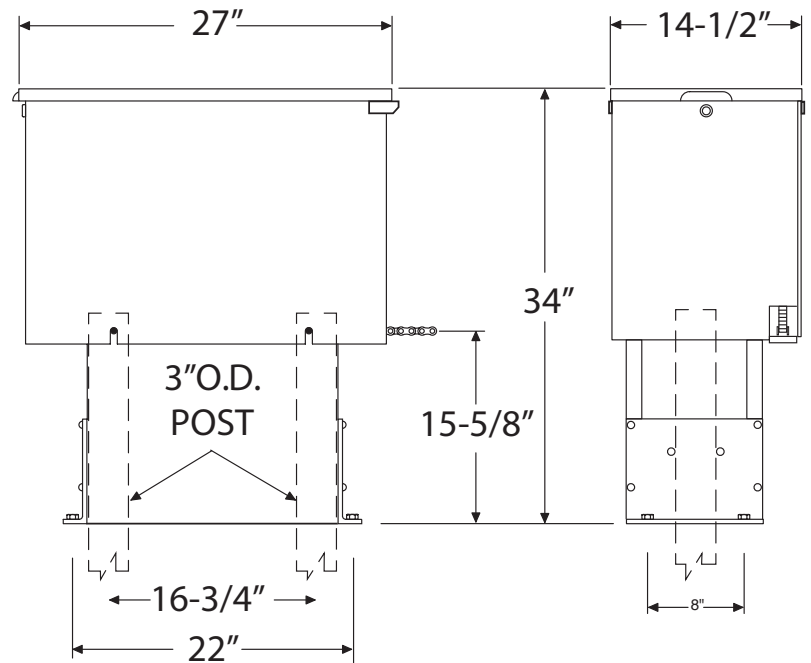
[Facebook.com/PowerMasterOperators](https://www.facebook.com/PowerMasterOperators)

SERVICING THE INDUSTRY SINCE 1969

DSG

Specifications & Features

- 24DC direct drive motor offers higher efficiency
- Built-in battery backup - Batteries included (up to 100 cycles on fully charged batteries during power outage)
- Soft-Start/Soft Stop feature for smooth operation
- Optional Plug-in Loop Detectors save time and wiring
- Built-in 3-Button control for simple installation setup
- Power fail operation can be set to open gate or cycle gate
- Maglock and Solenoid lock delay outputs standard
- Solid state circuitry is protected by a plastic enclosure
- Solar and low voltage charging inputs for added power control
- Built-in Radio Receiver



COVER: UV PROTECTED POLYETHYLENE

GEARBOX: 40:1

MOTOR: HEAVY DUTY, 1/2 HP, 24VDC

POWER INPUT: 120 VAC

TRAVEL SPEED: 9 INCHES/SECOND (APPROX.)

GATE CAPACITY: 2000 LBS, 50 FEET COMMERCIAL CAPACITY

FRONT MOUNT CHAIN ATTACHMENT HEIGHT: 16" FROM OPERATOR BASE

SHIPPING WEIGHT: APPROX. 205 LBS

CAUTION

A moving gate can cause serious injury or death!

Carefully read and follow all safety instructions, precautions, and guidelines when installing and using this product.

Motorized gates are for vehicles only. Pedestrians must use a separate entrance. NO ONE SHOULD CROSS THE PATH OF A MOVING GATE!

Proper reversing devices must be installed on gates to avoid all hazards, pinch points and entrapment. Eliminate all hazards, pinch points and entrapment areas.

Warning signs must be permanently installed and visible to traffic and pedestrians.

Do not mount operating devices accessible through gates or between a gate and wall.

Never allow children to lay in the path of a gate. Never allow children to operate or play with the gate controls.

Follow UL 325 and ASTM F220-02 standards.

Do not install this product unless all hazards, pinch points and entrapment points are protected.

