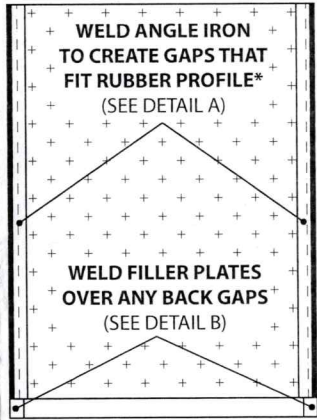
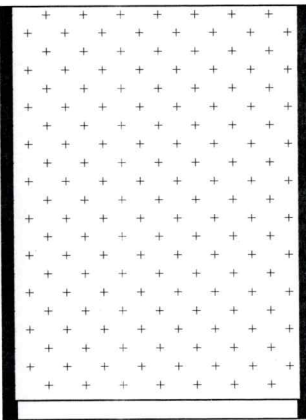
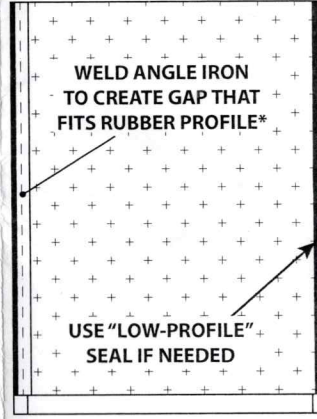
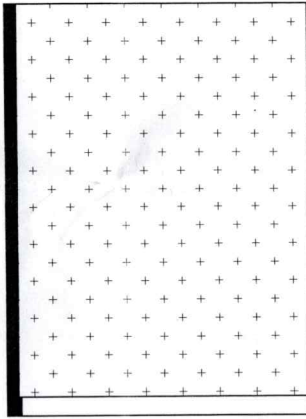


VARIOUS DOCK LEVELER ISSUES:

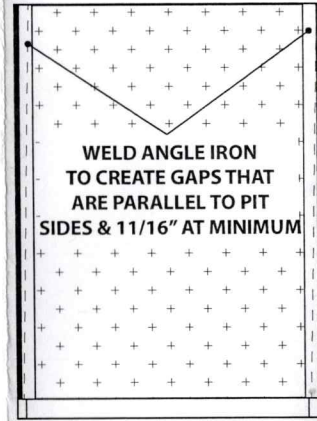
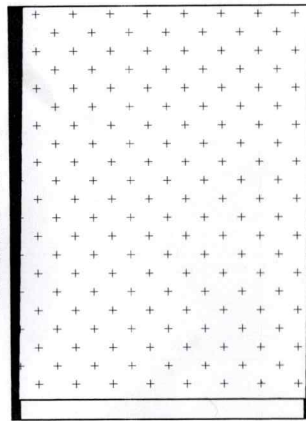
EXTRA-LARGE GAPS - BOTH SIDES



OFFSET GAPS - ONE LARGE GAP



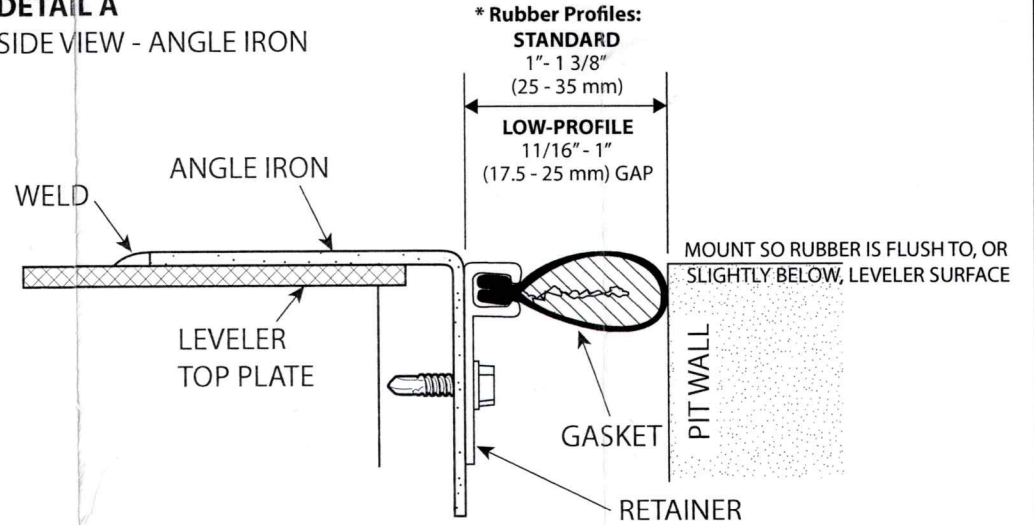
ANGLED GAPS



BEFORE

AFTER

DETAIL A
SIDE VIEW - ANGLE IRON



DETAIL B
TOP VIEW - FILLER PLATE

