

9 Cable Drum Assemblies and Track Rollers

Tools Required: Power Drill, 7/16" Socket driver, Tape measure, Level, Safety glasses, Leather gloves

NOTE: Refer to door section identification, located in the pre-installation section of this manual or refer to Parts Breakdown.

Starting on the left hand side, attach left hand bottom corner bracket to the left corner of the bottom section, making sure it is seated to the edges of the end cap, using (2) 1/4" - 20 x 11/16" self drilling screws (1) 1/4" - 20 x 5/8" tamper resistant screw. Repeat for other side.

NOTE: Only doors provided to professional installers, who have the required tools will be supplied with a tamper-resistant fastener. Use a 1/4" - 20 x 11/16" self drilling screw in bottom bracket, if not provided with a tamper-resistant screw.

NOTE: Cable drum assemblies are marked right and left hand.

WARNING

FAILURE TO ENSURE TIGHT FIT OF CABLE LOOP OVER MILFORD PIN COULD RESULT IN COUNTERBALANCE LIFT CABLE COMING OFF THE PIN, ALLOWING THE DOOR TO FALL, POSSIBLY RESULTING IN SEVERE OR FATAL INJURY.

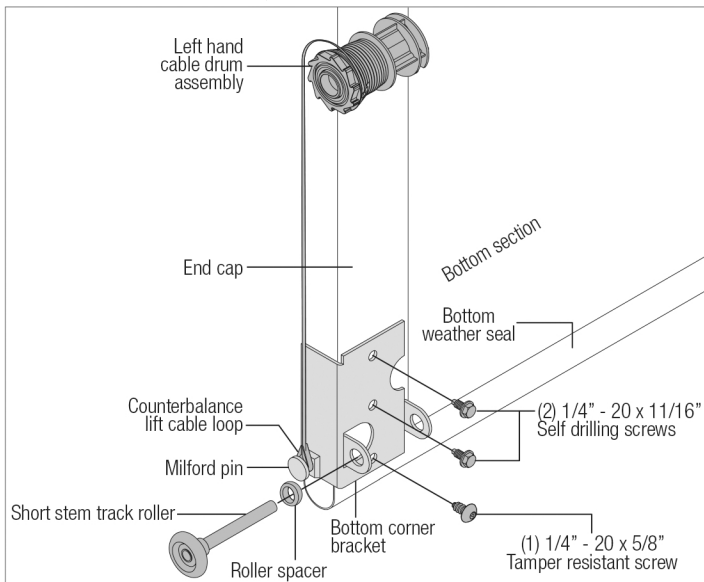
Uncoil the counterbalance lift cables from the cable drum assemblies, making sure you place the left hand cable loop on the left hand milford pin of the bottom corner bracket and the right hand cable loop on the right hand milford pin of the bottom corner bracket.

NOTE: Check to ensure cable loops fits tightly over the milford pins.

Insert a short stem track roller with a roller spacer into each of the bottom corner brackets.

NOTE: Larger doors will use long stem track rollers with double graduated end hinges.

NOTE: Verify bottom weather seal is aligned with bottom section. If there is more than 1/2" excess weather seal on either side, trim weather seal even with bottom section.



10 Step Plate

Tools Required: Power Drill, 5/16"/7/16" Drill bits, 1/4" Wrench, Tape measure, Phillips head screwdriver, Level, Safety glasses, Leather gloves

NOTE: Depending on your door, you may have two different kinds of Step Plates or two of the same kind of Step Plates. Refer to Package Contents, to determine which Step Plates you have.

IF YOU HAVE TWO OF THE SAME KINDS OF STEP PLATES:

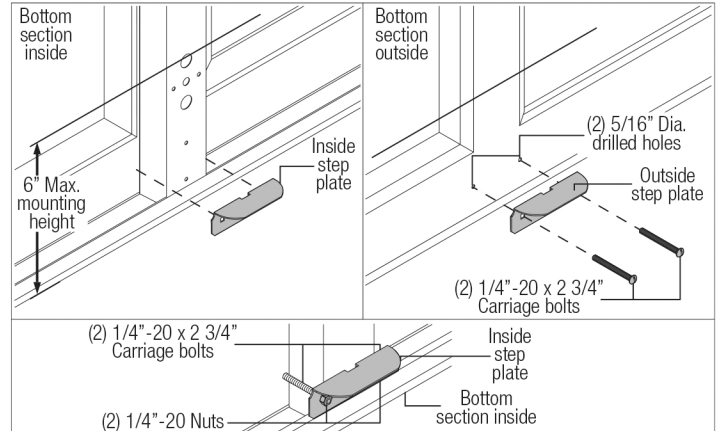
Locate the center most center stile of the bottom section of the door. On the inside of the door, center the step plate on the center most stile no higher than 6" from the bottom of the door. Using the step plate holes as a template, drill a 5/16" dia. hole along each side of

the center stile, through the face of the door. Drill through insulation and door's face on an insulated door.

IMPORTANT: BE EXTREMELY CAREFUL TO KEEP DRILL STRAIGHT.

Mount the inside step plate and the outside step plate back to back, straddling the center stile. Secure with (2) 1/4" - 20 x 2-3/4" carriage bolts and 1/4" - 20 hex nuts.

IMPORTANT: DO NOT MOUNT THE STEP PLATE HIGHER THAN 6" FROM THE BOTTOM OF THE SECTION.

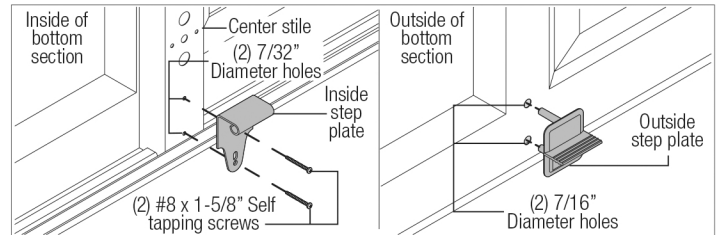


IF YOU HAVE TWO DIFFERENT KINDS OF STEP PLATES:

Locate the center most center stile on the bottom section of the door. On the inside of the door and using the pre-punched holes at the bottom of the center stile as a template, drill (2) 7/32" dia. holes through the section. Using the previously drilled holes as a guide, enlarge the holes from outside the door to 7/16" dia. and assemble the outside and inside step plates to the section using (2) #8 x 1-5/8" screws.

NOTE: Do not drill through or enlarge holes on the inside of the door.

NOTE: After completing this step, continue with Step Lift Handles.



11 Lift Handle

Tools Required: Power Drill, 9/32"/1/2" Drill bits, 1/4" Wrench, Tape measure, Phillips head screwdriver, Level, Safety glasses, Leather gloves

NOTE: Doors with a Keyed lock do not require this lift handle.

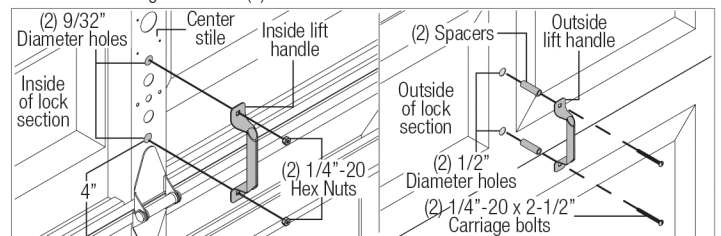
Locate the inside center stile or the desired lift handle location on the lock (2nd) section of the door. Position the lower hole in the lift handle 4" from the bottom of the lock (2nd) section.

IMPORTANT: THE DISTANCE BETWEEN THE STEP PLATE AND THE MIDDLE OF THE LIFT HANDLE MUST BE 20" MINIMUM TO 30" MAXIMUM. IF NECESSARY REPOSITION THE UPPER LIFT HANDLE TO STAY WITHIN THE REQUIRED DIMENSION.

Using the lift handle holes as a template, drill (2) 9/32" dia. holes through the lock section. Enlarge the holes from the outside the door to 1/2" dia.

NOTE: Do not drill through or enlarge holes on the inside of the door.

Assemble the outside and inside lift handles to the lock section using (2) spacers, (2) 1/4" - 20 x 2-1/2" carriage bolts and (2) 1/4" - 20 hex nuts.



NORTH SHORE
COMMERCIAL DOOR .COM
PH: 800-783-6112

support@northshorecommercialdoor.com