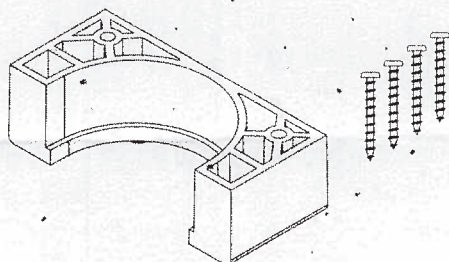


Sprocket Guard**36608A**

Parts included in the kit:
 1-Sprocket Guard
 4-Phillips Head Screws

Tools Required: Phillips Head Screwdriver, Assorted Wrenches

To perform this repair, the operator must be removed from it's mounting points and repair performed on a bench or floor. Ensure that all power is removed from operator. Please refer to your owners manual to reverse the wiring and mounting process.

READ AND FOLLOW ALL SAFETY, INSTALLATION AND OPERATION INSTRUCTIONS AND WARNINGS CONTAINED IN THESE INSTRUCTIONS AND THE OWNERS MANUAL. *If you have any questions or do not understand an instruction, contact a trained service technician. Or call 800-354-3643.*

⚠ WARNING

A moving door can cause severe injury or death. When possible, use the emergency release only when the door is closed. If using the release with the door open, make sure people and objects are clear of the opening. Weak or broken springs are capable of increasing the rate and force of door closure and increasing the risk of severe injury or death.

1. Pull Emergency Release Cord on Carriage to disengage operator when door is in the closed position. (If unable to lower door using operator, then use extreme caution in manually closing the door. Before pulling Emergency Release Cord, make sure people and objects are clear of door opening.)
2. Remove 110 Volt power from operator. Refer to Owners Manual for permanently wired operators.
3. Remove operator from mounting hardware and wiring. Set on clean flat work surface.
4. Unbolt Rail from operator.
5. Remove the four Phillips Head Screws from Sprocket Guard.
6. Pull out old Sprocket Guard.
7. Install new Sprocket Guard with supplied Screws insuring that feed lip fits under the Drive Sprocket.
8. Reinstall Rail to operator.
9. Reinstall unit, refer to Owners Manual for proper mounting, wiring, and settings.
10. Plug operator into 110V outlet or reset breaker.
11. Program operator per Owners Manual.



NORTH SHORE
COMMERCIAL DOOR.COM
 P: 800 783 6112 • F: 440 365 3514
 support@northshorecommercialdoor.com

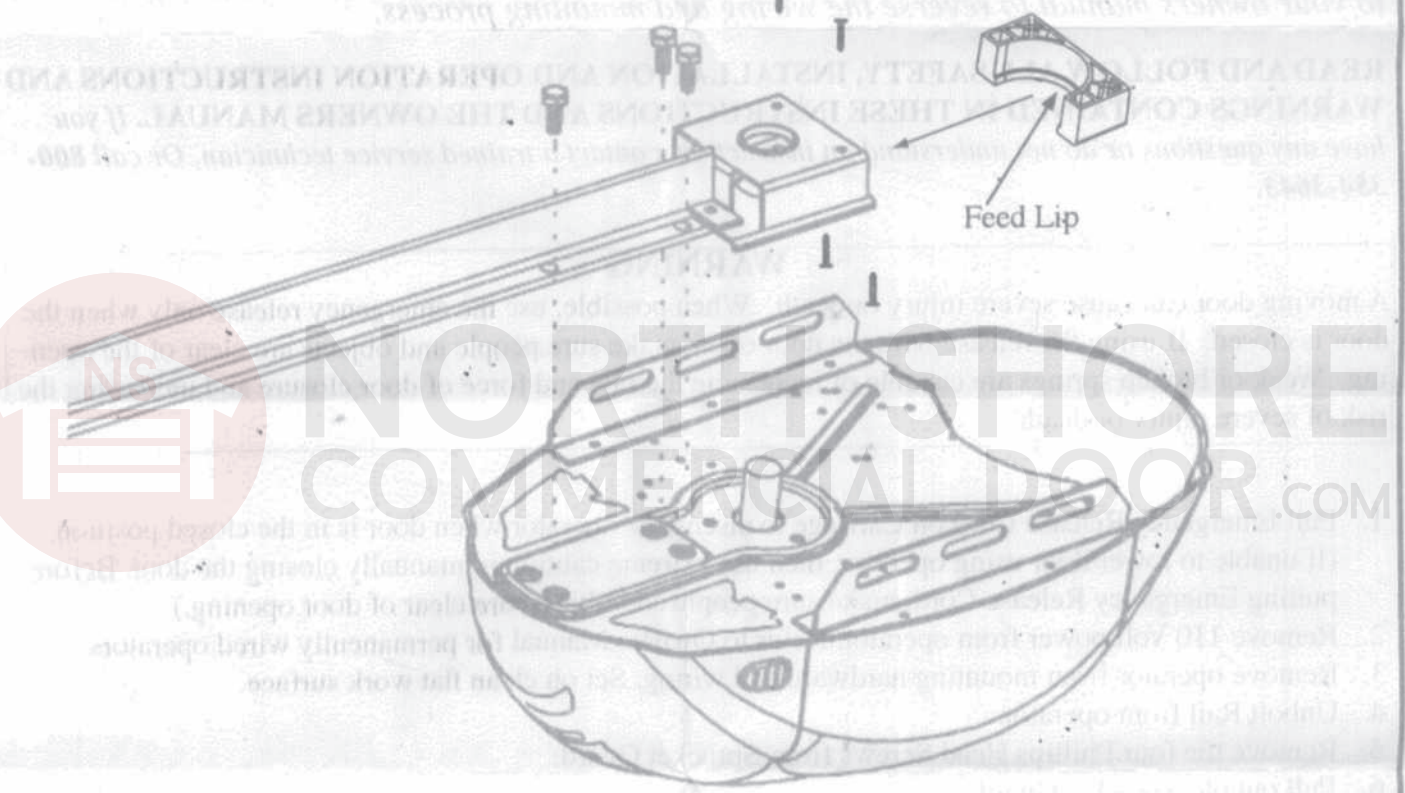
Sprocket Guard

Part included in the kit
1 Sprocket Guard
4 Phillips Head Screws

36608A

To perform this repair, the operator must be removed from its mounting points and repair performed on a bench or floor. Ensure that all power is removed from operator. Please refer to your owners manual to reverse the wiring and mounting process.

READ AND FOLLOW THESE INSTRUCTIONS CAREFULLY. THESE INSTRUCTIONS ARE THE PROPERTY OF THE COMPANY AND ARE NOT TO BE REPRODUCED OR TRANSMITTED IN ANY FORM OR BY ANY MEANS, ELECTRONIC OR MECHANICAL, INCLUDING PHOTOCOPYING, RECORDING, OR BY ANY INFORMATION STORAGE AND RETRIEVAL SYSTEM. FOR MORE INFORMATION, CONTACT YOUR SERVICE TECHNICIAN OR CALL 800-555-5555.



NORTH SHORE

COMMERCIAL DOOR

COM