

Universal Replacement Instructions

Screw Drive Motor

You will need a 1/4" magnetic nut driver, long-nosed pliers, and a 5/16 long-shafted magnetic nut driver.

1. Disconnect power to the opener.
2. Remove the cover.
3. Remove endpanels.
4. Unplug the wire harness (**A**) from the RPM sensor.
5. Observe the 3 wires leading from the motor and note their position for reassembly:
 - Disconnect the single white wire from the terminal block (**B**).
 - Disconnect the other two (red and blue) from the capacitor (**C**).
6. Remove the 4 screws (**D**) fastening the motor bracket to the chassis, using a 5/16 long-shafted magnetic driver. Hand-support motor before removing final screw.
7. Remove entire motor/bracket assembly and discard.
8. Replace with new motor.
9. Reverse steps 2-7 to reassemble.
10. Reconnect power.

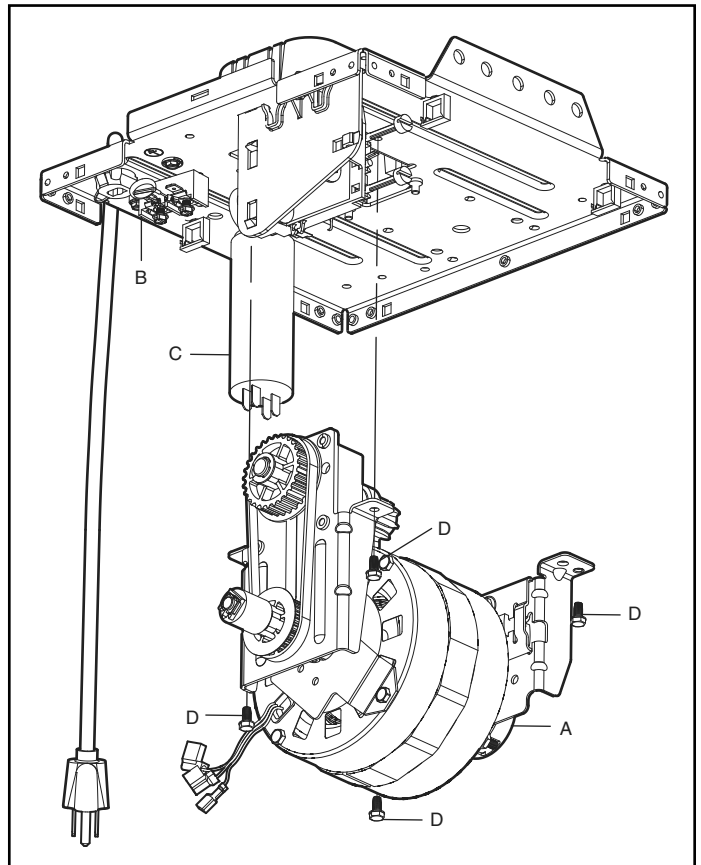
NOTE: A test of the Safety Reverse System is necessary for safe operation. Follow the instructions on side two or in your owner's manual.

WARNING

To prevent possible **SERIOUS INJURY** or **DEATH** from electrocution, disconnect power to opener **BEFORE** proceeding.

CAUTION

The garage door **MUST** be in the fully closed position during installation.



WARNING

Without a properly installed safety reversal system, persons (particularly small children) could be **SERIOUSLY INJURED** or **KILLED** by a closing garage door.

- Incorrect adjustment of garage door travel limits will interfere with proper operation of safety reversal system.
- If one control (force or travel limits) is adjusted, the other control may also need adjustment.
- After ANY adjustments are made, the safety reversal system **MUST** be tested. Door **MUST** reverse on contact with 1-1/2" (3.8 cm) high object (or 2x4 laid flat) on floor.

When to Adjust the Limits

If the door does not open completely but opens at *least* five feet:

Increase UP (Open) travel. Turn the Up limit adjustment screw clockwise. One turn equals 2" (5 cm) of travel.

If the door does not open at *least* five feet:

Adjust the UP (Open) force as explained in Adjustment Step 2 in your owner's manual.

If the door does not close *completely*:

Increase DOWN (Close) travel. Turn the DOWN (Close) limit adjustment screw counterclockwise. One turn equals 2" (5 cm) of travel.

If the opener *reverses* in fully closed position:

Decrease DOWN (Close) travel. Turn the DOWN (Close) limit adjustment screw clockwise. One turn equals 2" (5 cm) of travel.

If the door *reverses* when closing:

If the opener lights are flashing, the Safety Reversing Sensor is obstructed. Remove the obstruction.

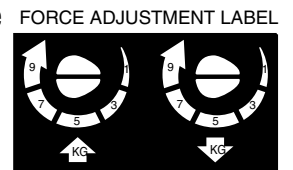
Test the door for binding:

Pull the emergency release handle. Manually open and close the door. If the door is binding, call for garage door service. If the door is not binding or unbalanced, adjust the DOWN (Close) force.

NOTE: Repeated operation of the opener may cause the motor to overheat and shut off. Wait 30 minutes and continue.

When to Adjust the Force

The maximum force adjustment range is 260 degrees, about 3/4 of a complete turn. Do not force controls beyond that point. Turn controls with a screwdriver.



If the door does not open at *least* five feet (1.5 m):

Increase UP (Open) force by turning the control clockwise. Make 10 degree turn adjustments until door opens completely.

Readjust the UP (Open) limit if necessary. After each adjustment, run the opener through a complete travel cycle.

If the door reverses during the DOWN (Close) cycle and the opener lights do not flash:

Increase Down (Close) force by turning the control clockwise. Make 10 degree turn adjustments until the door completes a close cycle. After each adjustment, run the opener through a complete travel cycle.

NOTE: Do not increase the force beyond what is required to close door. Do not use force adjustments to compensate for a binding or sticking garage door.

Test the DOWN (Close) force:

Grasp the door handle or door bottom when the door is about halfway through DOWN (Close) travel. The door should reverse.

If the door is hard to hold or does not reverse, decrease the DOWN (Close) force by turning the control counterclockwise.

Make 10 degree turn adjustments until the door reverses normally. After each adjustment, run the opener through a complete cycle.

Test the UP (Open) force:

Grasp the door handle or door bottom when the door is about halfway through UP (Open) travel. The door should stop. If the door is hard to hold or does not stop, decrease UP (Open) force by turning the control counterclockwise. Make 10 degree turn adjustments until the door stops easily. After each adjustment, run the opener through a complete travel cycle.



LIMIT CONTROLS
Adjustment Label

Testing the Safety Reverse System

Conduct the Safety Reverse Test After:

- Each adjustment of door arm length, force or limit controls.
- Any repair to or adjustment of the garage door (including springs and hardware).
- Any repair to or buckling of the garage floor.
- Any repair or adjustment to the opener.

Procedure:

- With the door fully open, place a 1-1/2" (3.8 cm) board (or a 2x4 laid flat) on the floor, centered under the garage door.
- Operate the door in the down direction. The door must reverse on striking the obstruction.

Adjust:

- If the door stops on the obstruction, it is not traveling far enough in the down direction. Refer to "When to Adjust the Limits" on page 2.

NOTE: On a sectional door, when fully closed, the door arm must not go beyond a straight up and down position. If so, lengthen door arm.

- Repeat the test.
- When the door reverses on the 1-1/2" (3.8 cm) board, remove the obstruction and run the opener through 3 or 4 complete travel cycles to test adjustment.

If the door will not reverse after repeated attempts, call for a trained door systems technician.

WARNING

Without a properly installed safety reversal system, persons (particularly small children) could be **SERIOUSLY INJURED** or **KILLED** by a closing garage door.

- Safety reversal system **MUST** be tested every month.
- If one control (force or travel limits) is adjusted, the other control may also need adjustment.
- After **ANY** adjustments are made, the safety reversal system **MUST** be tested. Door must reverse on contact with 1-1/2" (3.8 cm) high object (or 2x4 laid flat) on the floor.

