

# INSTRUCTIONS

## REPLACE MOTOR

**GARAGE DOOR MUST BE IN FULLY CLOSED POSITION DURING REPLACEMENT INSTALLATION**



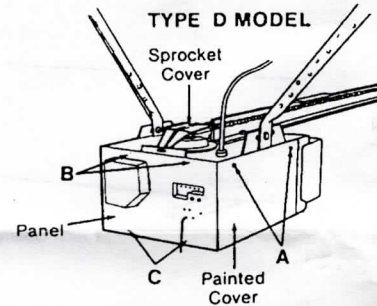
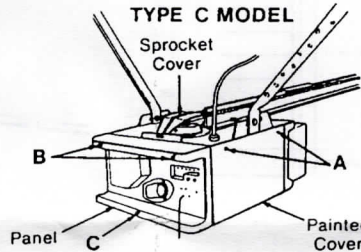
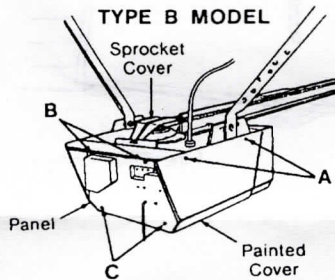
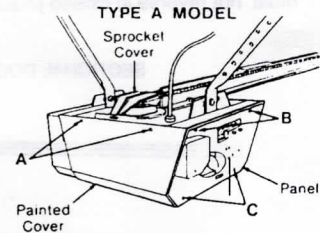
**DISCONNECT ELECTRIC POWER TO OPENER BEFORE REMOVING PAINTED COVER OR PANELS**

**IMPORTANT NOTE:** Depending on Model Type, you may have to remove the opener lens, cover and/or panels before proceeding with replacement part installation.

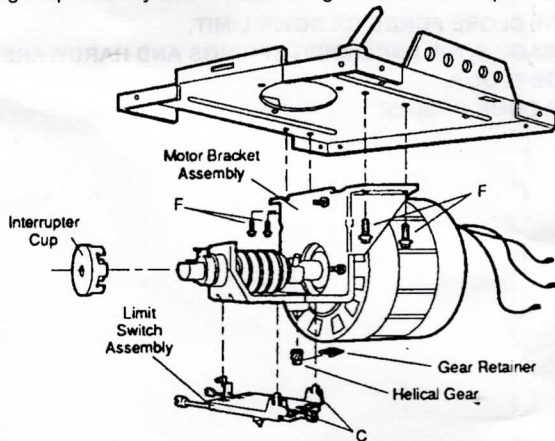
**IDENTIFY MODEL TYPE (Figure 1).**

- To remove the light lens, apply thumb pressure to bottom of lens at tabs and disengage tabs from retention slots.
- To remove painted cover, remove screws at points designated 'A' and 'C' (Figure 1) from each side of cover panels.
- To remove either of the panels, remove screws at points 'B' and 'C' (Figure 1).

**FIGURE 1  
WITH LIGHT LENS  
REMOVED**



1. Remove painted cover. On Type B, C, and D models also remove the end panel that allows access to interrupter cup. Allow it to hang suspended by wires. Refer to Figure 2 for motor replacement Steps 2 through 8.



**FIGURE 2**

2. Remove interrupter cup by pulling straight off motor shaft. Remove wire connector from RPM sensor board.
3. Disengage switch assembly from retention slots in motor bracket by squeezing it on the sides at Point 'C' (Figure 2). Allow it to hang suspended by wires. **NOTE: Remove and discard RPM sensor board if attached to limit switch assembly.**
4. **CAREFULLY** remove gear retainer. Slide helical gear from shaft.
5. Disconnect motor leads (red, white and blue). Note position for reassembly.
6. Remove 4 screws designated 'F'. Hand-support motor before removing final screw.
7. Remove the entire motor bracket assembly from opener and discard.
8. Reverse Steps 1 through 7 to reinstall. **NOTE: Make sure the wire connector is attached to the new RPM sensor board and the interrupter cup is pushed all the way onto the motor shaft.**
9. Replace painted cover and end panel before reconnecting power to opener.

**A TEST OF THE AUTOMATIC SAFETY REVERSE SYSTEM IS NECESSARY FOR SAFE OPERATION.  
SEE SIDE 2 FOR INSTRUCTIONS.**



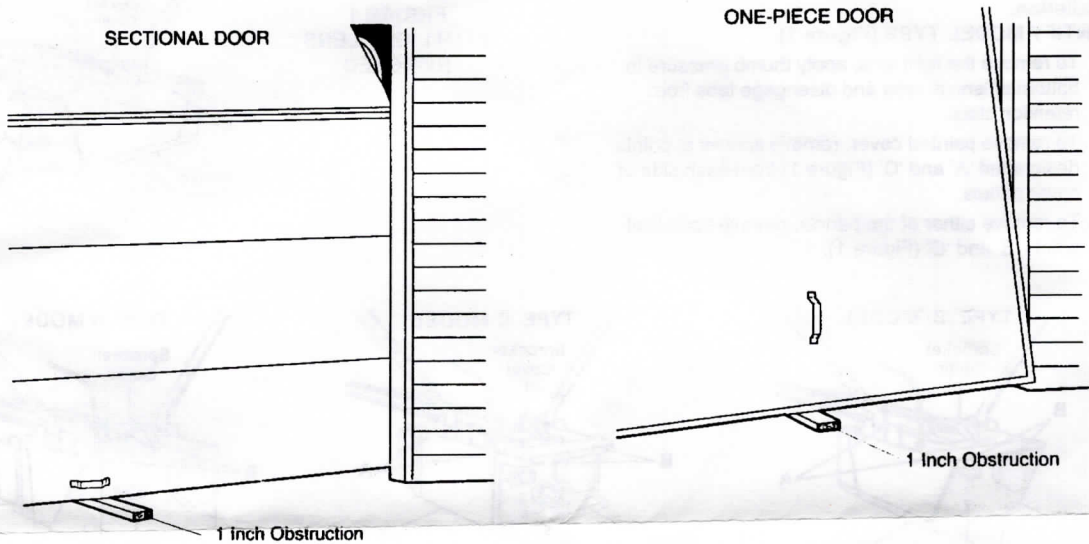
**THE SAFETY REVERSE SYSTEM TEST IS IMPORTANT. THE GARAGE DOOR *MUST* REVERSE ON CONTACT WITH A ONE INCH OBSTACLE PLACED ON THE FLOOR. FAILURE TO PROPERLY ADJUST THE OPENER MAY RESULT IN SERIOUS PERSONAL INJURY FROM A CLOSING GARAGE DOOR. REPEAT THE TEST AT LEAST ONCE A YEAR AND MAKE ANY NEEDED ADJUSTMENTS.**

**PROCEDURE:** Place a 1-inch obstacle on the floor under the garage door. Operate the door in the DOWN direction. The door must reverse on the obstruction.

If a **SECTIONAL** door STOPS on the obstruction, lengthen the door arm until the door reverses in DOWN direction.

If a **ONE-PIECE** door stops on obstruction, door is not traveling far enough in DOWN direction. Increase the DOWN limit by turning the DOWN limit adjustment screw counter-clockwise 1/4 turn. REPEAT TEST/

When the door reverses on the 1-inch obstruction, remove obstruction and run opener through a complete travel cycle. Door must not reverse in closed position. Force and/or limits may need readjustment.



**CONDUCT SAFETY REVERSE TEST AFTER:**

- 1. EACH ADJUSTMENT OF DOOR ARM LENGTH, CLOSE FORCE OR DOWN LIMIT.**
- 2. ANY REPAIR OR ADJUSTMENT OF THE GARAGE DOOR (INCLUDING SPRINGS AND HARDWARE).**
- 3. ANY REPAIR OR BUCKLING OF THE GARAGE FLOOR.**
- 4. ANY REPAIR OR ADJUSTMENT OF GARAGE DOOR OPENER.**