

Replacement Instructions for Limit Switch Assembly 41D4671

You will need a 1/4" magnetic nut driver.

1. Fully close the garage door.
2. Disconnect power to the opener.
3. Remove the opener lens (refer to your owner's manual).
4. Remove the cover:
 - Using a 1/4" magnetic nut driver, remove the two screws recessed in the bottom of the cover.
 - Unplug the wires to the light sockets inside, and place the cover aside.
5. Lift off the control center access door and set aside.
6. Unfasten the receiver logic board assembly from the chassis by removing the two screws inside the panel under the top edges (a). Allow it to hang suspended by wires.
7. Disengage the limit switch assembly (b) from the retention slots in the limit switch bracket (c) by squeezing the top and bottom on the right near the drive gear (see illustration).
8. Disengage the hook on the left (d) and allow assembly to hang by wires.
9. Position the new limit switch in front of you as shown in Figure 2. The drive gear controls the movement of the center limit contact to the left (UP) or right (DOWN). Rotate the gear until the center limit contact touches the DOWN contact.
10. Remove the wires one at a time from the original limit switch and reconnect them to the new assembly.
11. Reverse steps 3-8 to install the new assembly and reassemble the unit.
12. Restore power to the opener. Readjustment of the UP and DOWN travel limits may be necessary. Refer to your owner's manual.

NOTE: A TEST OF THE SAFETY REVERSE SYSTEM IS NECESSARY FOR SAFE OPERATION. Follow the instructions on side two or in your owners manual.

CAUTION

The garage door **MUST** be in the fully closed position during installation.

WARNING

To prevent possible **SERIOUS INJURY** or **DEATH** from electrocution, disconnect power to opener **BEFORE** proceeding.

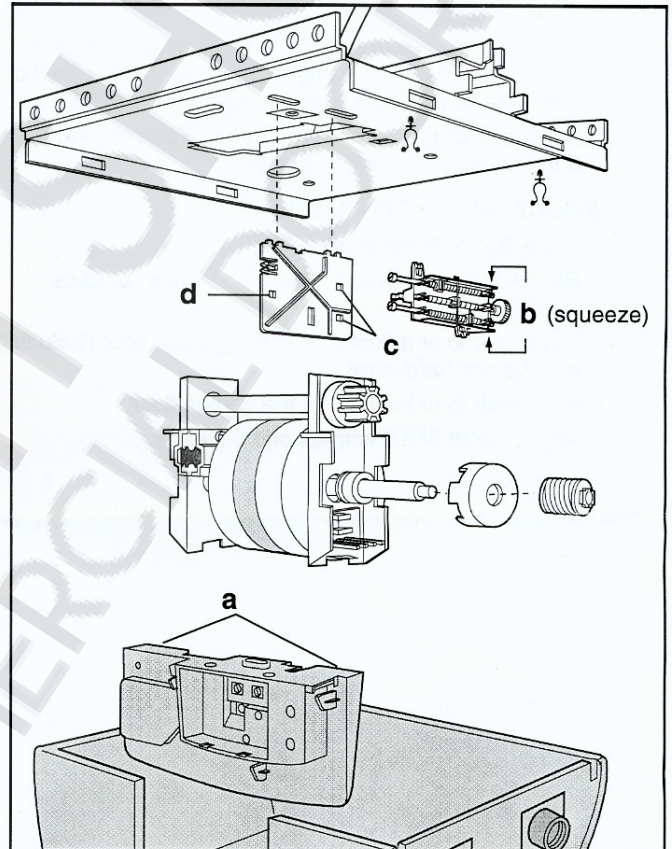


Figure 1

LIMIT SWITCH ASSEMBLY

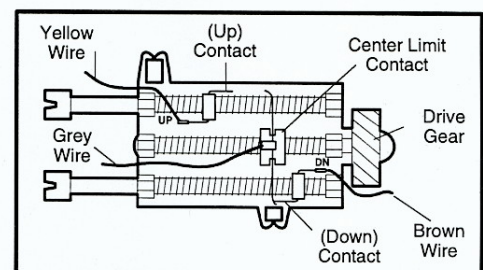


Figure 2