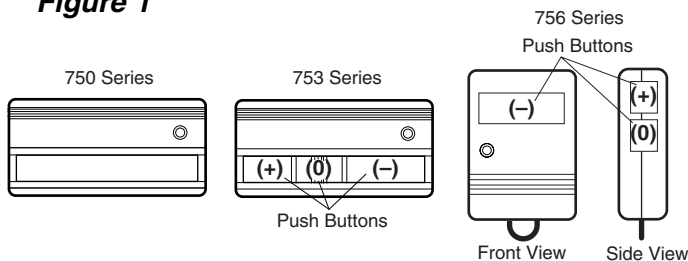
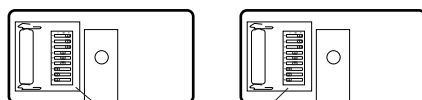


**Figure 1**



**To match or change the code in the remote control**

Locate the code switches in both the new and the original remote controls, either by removing the case screw and cover, or by sliding the battery compartment cover back. Place remote controls side by side as shown and set switches in all remote controls to matching positions (+,0,-). Use a pen or screwdriver to slide the code switches.



**NOTE:** Code switch #1 on the Multi-function remote control is dormant when used with a single-function remote control. Set dip switch #1, in the single-function remote control, to match the push button selected on the Multi-function remote control (Figure 1).

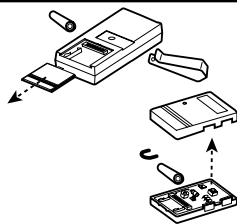
**Replacing the remote control battery**

**⚠ WARNING**

To prevent possible SERIOUS INJURY or DEATH:

- NEVER allow small children near batteries.
- If battery is swallowed, immediately notify doctor.

Locate the battery by either removing the case screw and the cover, or by sliding the battery compartment cover.



Dispose of old batteries properly.

**NOTICE:** To comply with FCC and/or Industry Canada (IC) rules, adjustment or modifications of this receiver and/or transmitter are prohibited, except for changing the code setting or replacing the battery. THERE ARE NO OTHER USER SERVICEABLE PARTS.

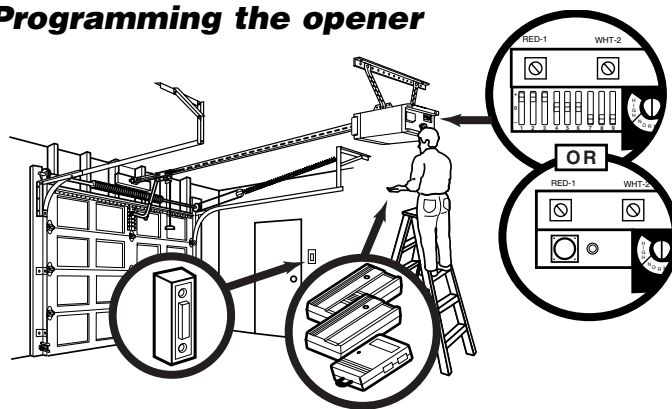
Tested to Comply with FCC Standards FOR HOME OR OFFICE USE. Operation is subject to the following two conditions: (1) this device may not cause harmful interference, and (2) this device must accept any interference received, including interference that may cause undesired operation.

**⚠ WARNING**

To prevent possible SERIOUS INJURY or DEATH from a moving gate or garage door:

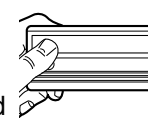
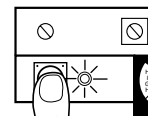
- ALWAYS keep remote controls out of reach of children. NEVER permit children to operate, or play with remote control transmitters.
- Activate gate or door ONLY when it can be seen clearly, is properly adjusted, and there are no obstructions to door travel.
- ALWAYS keep gate or garage door in sight until completely closed. NEVER permit anyone to cross path of moving gate or door.

**Programming the opener**



**If your unit has a "Learn" button:**

1. Press and release the "learn" button located on the back panel of the motor unit. The learn indicator light will glow steadily for 30 seconds.
2. Within the 30 second window, press and hold the button on the hand-held remote.
3. The unit will either activate or the opener light bulb will blink signifying it has learned the code.



**If your unit has dip switches:**

1. Using a step ladder climb up to the back of your motor unit. Check the dip switch settings on the back of the motor unit.
2. Use a pen or screw driver to set the dip switches on the back of the remote control to match the dip switches on the back of the motor unit.
3. Once the dip switches have been set push the remote control button to activate your unit.

