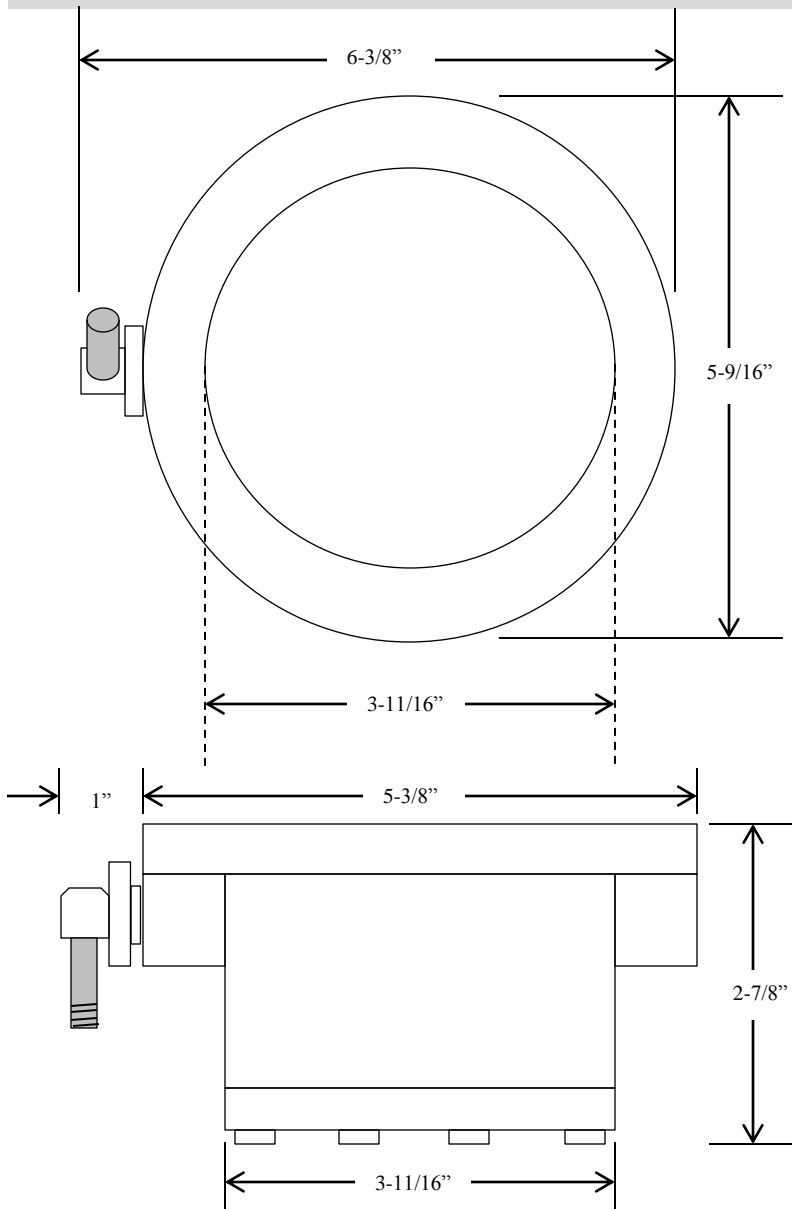


# ASX-1

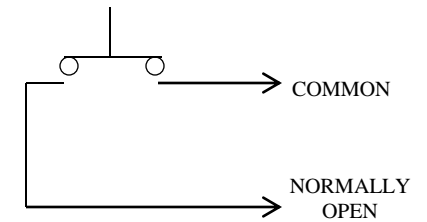
## AIRSWITCH

- NEMA 7 & 9
- EXPLOSION PROOF ENCLOSURE
- DUST-IGNITION PROOF
- TYPE: 3 & 4
- CLASS: 1 & 2
- GRP: B, C, D, E, F & G
- UL – CSA ENCLOSURE
- 2 WIRE

### DIMENSIONS



### WIRING



230 Route 206, Suite 206  
 Flanders, NJ 07836  
 (800) 942-6682 \* (973) 584-6682 Fax  
 info@mmtcinc.com