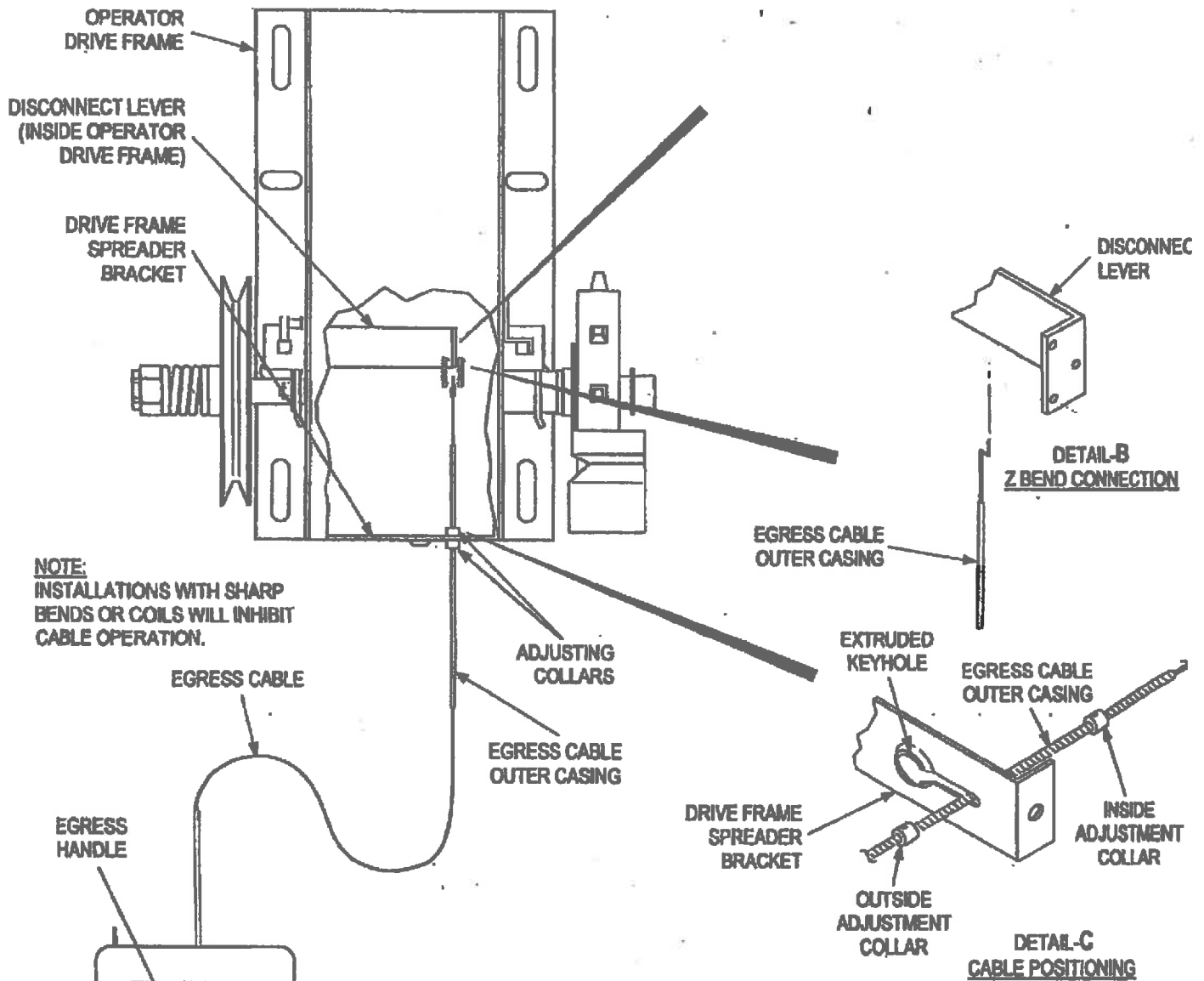
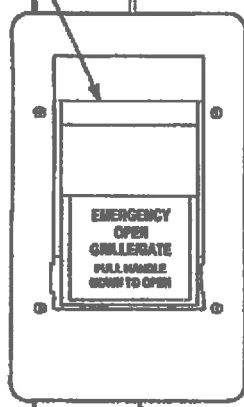


RH/RJ EGRESS BOX INSTALLATION

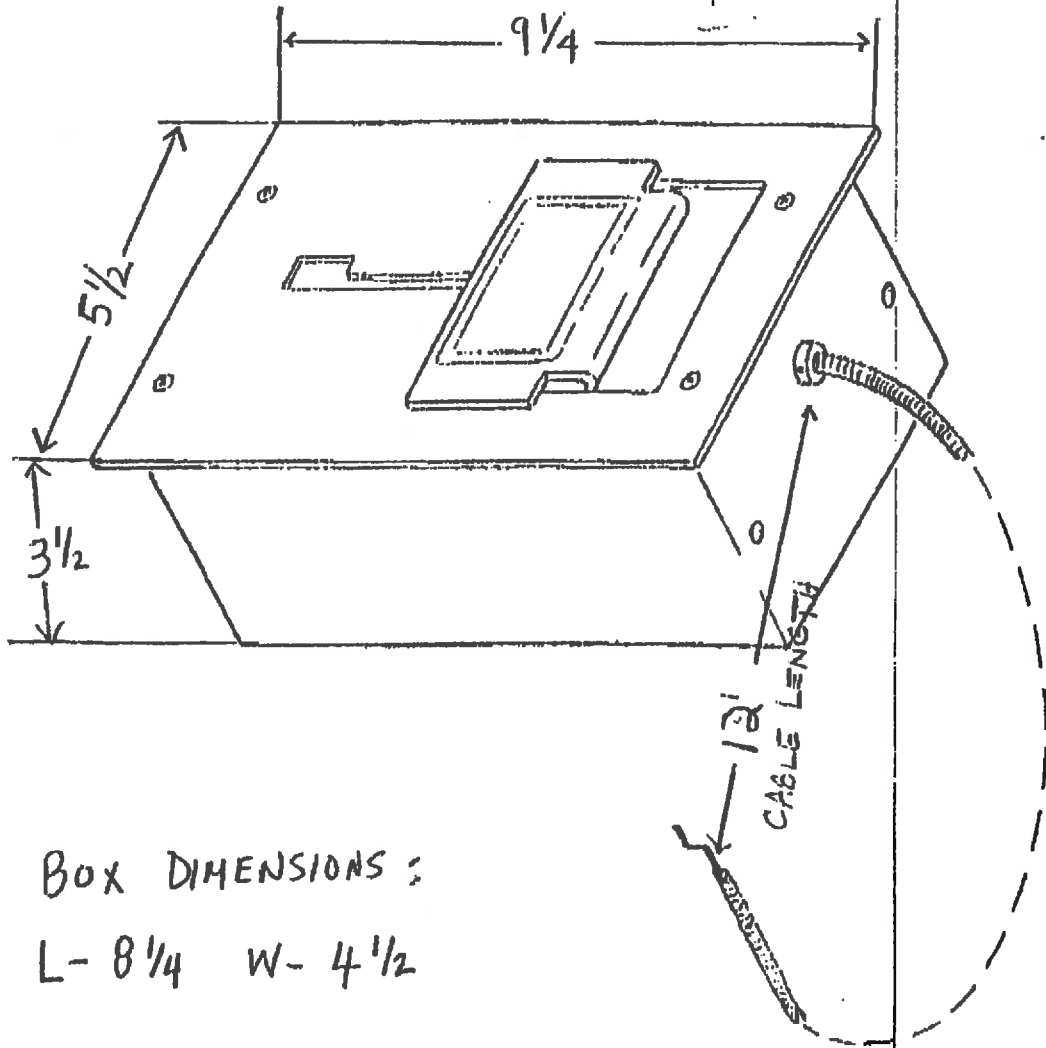


INSTALLATION PROCEDURE

- 1- Uncoil egress cable, and loosen adjustment collars.
- 2- Start with egress handle at the raised or flush position, as shown. (Never move egress handle while cable is coiled).
- 3- Remove chain connecting link from loop at end of egress cable (if applicable). (See DETAIL-A).
- 4- Install egress cable through extruded keyhole in drive frame spreader bracket until first adjusting collar goes through spreader bracket. (See DETAIL-C).
- 5- With one adjustment collar inside drive frame, slide cable into slot of extruded keyhole. (See DETAIL-C).
- 6- Attach end of egress cable to operator disconnect lever by method shown in DETAIL- B, as it applies to the equipment provided.
- 7- Pull on egress cable outer casing to remove all slack from cable and disconnect mechanism.
- 8- Secure position of cable, against drive frame spreader bracket, with two adjustment collars, as shown in main view.
- 9- Egress device is now ready to activate.



EGRESS BOX



BACK BOX DIMENSIONS:
 H- $3\frac{1}{2}$ L- $8\frac{1}{4}$ W- $4\frac{1}{2}$

MODEL PRH-100