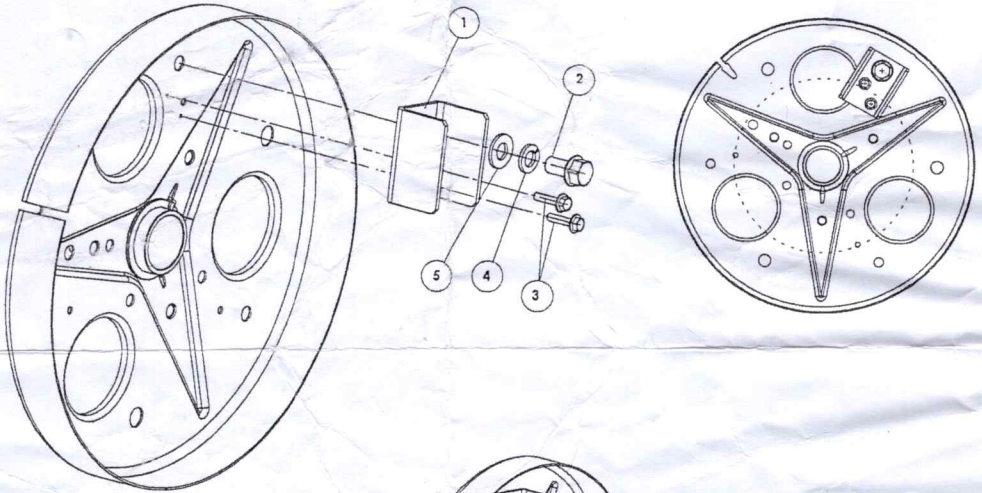
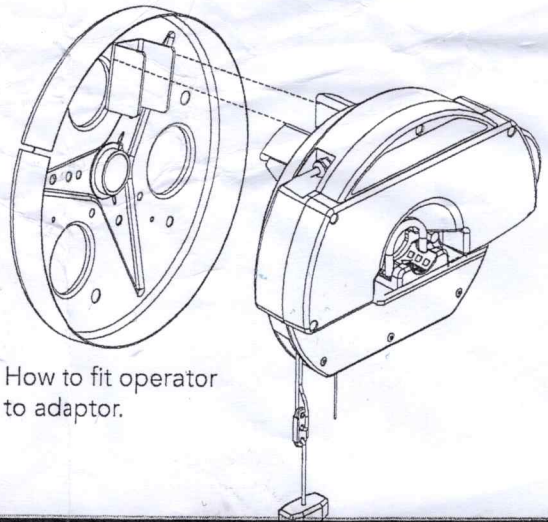


Drum Adaptor Kit

ADAPTOR KIT		
ITEM	DESCRIPTION	QTY
1	ADAPTOR U SHAPE 2	1
2	HEX HEAD SCREW $\frac{3}{8}$ " x $\frac{3}{4}$ "	1
3	SELF TAPPING SCREW METAL $\frac{3}{16}$ " x $\frac{3}{4}$ "	2
4	SPRING WASHER $\frac{3}{8}$ "	1
5	FLAT WASHER $\frac{3}{8}$ "	1



How to fit operator to adaptor.



Doc # 160094_00

Part # 86493

Released 14/08/18

automatic
TECHNOLOGY