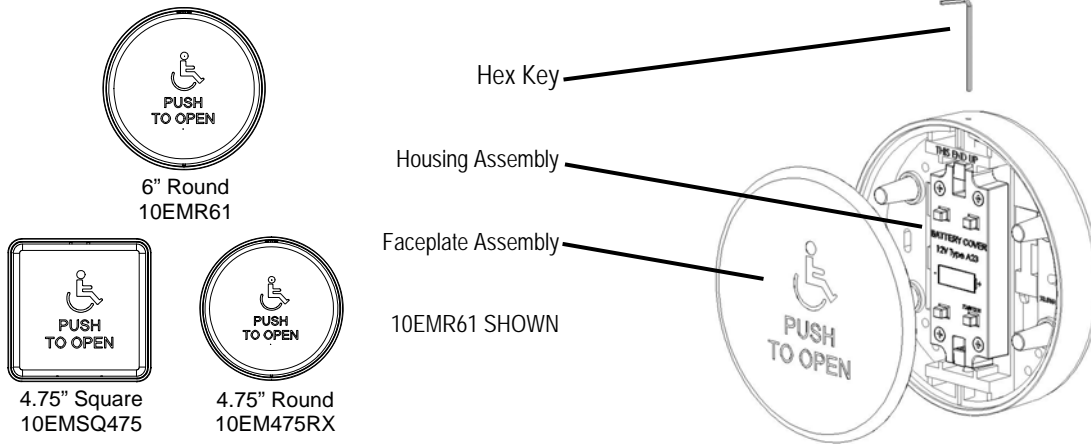


INSTALLATION PROCEDURE FOR PANTHER SERIES PUSHPLATES

1 Description



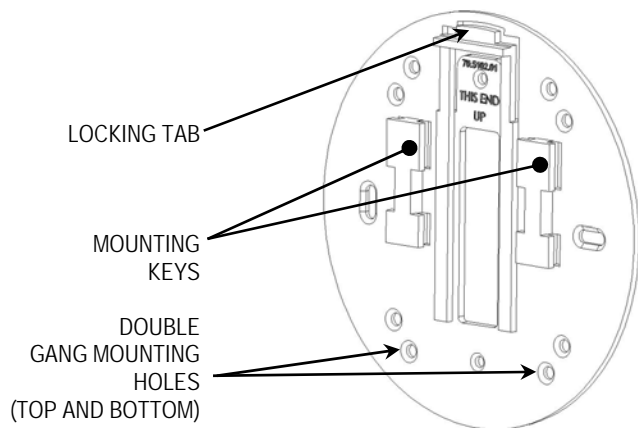
2 Technical Specifications

Dimensions:	6" Round: 6.33" (160.8mm) R x 1.45" (36.87mm) D, 4.75" Round: 5.12" (130mm) R x 1.42" (36.1mm) D 4.75" Square: 5.12" (130mm) H x 5.12" (130mm) W x 1.42" (36.1mm) D
Weight:	6" Round: 1.2 lbs (0.54 kg), 4.75" Round: 1.14 lbs (0.52 kg), 4.75" Square: 1.04 lbs (0.47 kg)
Material:	ABS Plastic and Stainless Steel
Transmitter Frequency:	433 MHz
Certification:	FCC

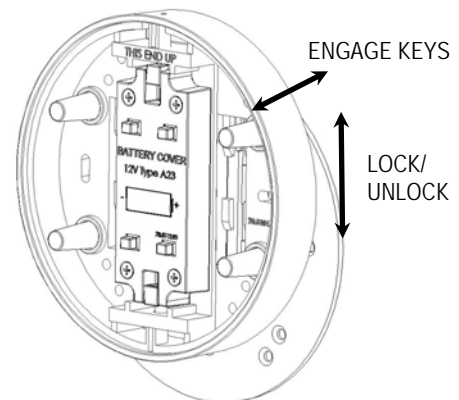
3 Installation

NOTE: The installation procedure is typical for all Panther Series Pushplates.

1 Mounting the pushplate:



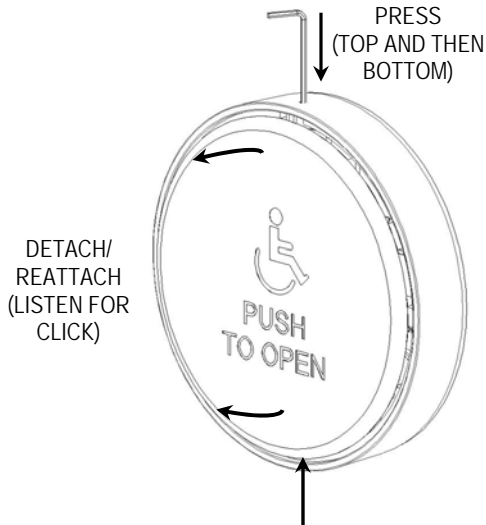
The Panther pushplate may be mounted **with or without** the mounting bracket. To use the mounting bracket, screw a minimum of two (2) screws into a solid surface through the holes in the mounting plate (#8 countersunk head screws must be used). The mounting plate must be mounted so that the text side is facing up.



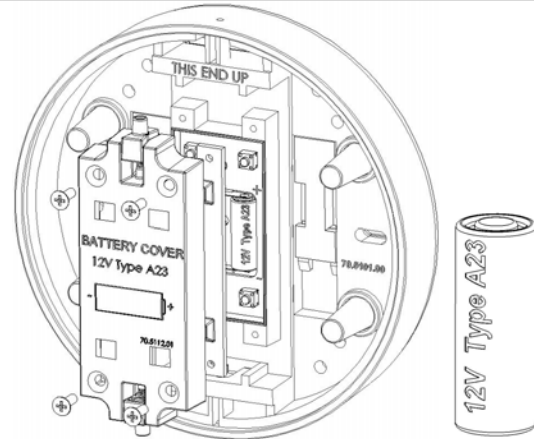
To attach the housing to the mounting plate, place the housing over the key tabs on the mounting plate, and then slide the plate downward until the locking tab engages the housing. To remove the housing, press in the locking tab and reverse this procedure.

NOTE: To securely lock the plate, put an additional screw through both the housing and the mounting plate.

2 Function:



To assemble or disassemble the pushplate, use the enclosed hex key (or similar diameter tool) to press in and release the spring clips from the faceplate bracket. The spring clip will need to be engaged / disengaged from top and bottom, one at a time. When the spring clips are correctly engaged, they will make a click. It may be necessary to rotate the faceplate slightly to have them lock correctly.



BATTERY LOCATION
(OBSERVE PROPER POLARITY)

To replace the battery, remove the faceplate and the four (4) screws holding the battery cover to expose the transmitter assembly. Replace the battery with a fresh 12V, Type A23 battery and reassemble the pushplate.

WARNING: DO NOT OVER TIGHTEN THE SCREWS ON THE BATTERY COVER. THIS MAY CAUSE THE TRANSMITTER TO BE IN CONSTANT ACTIVATION. THE HEAD OF THE SCREWS SHOULD BE FLUSH WITH THE TOP OF THE PLASTIC COVER.

3 Tips:

- Shut off all power going to the header before attempting any wiring procedures.
- Maintain a clean & safe environment when working in public areas.
- Constantly be aware of pedestrian traffic around the door area.
- Always stop pedestrian traffic through the doorway when performing tests that may result in unexpected reactions by the door.
- Always check placement of all wiring before powering up to insure that moving door parts will not catch any wires and cause damage to equipment.
- Ensure compliance with all applicable safety standards (i.e. ANSI A156.10) upon completion of installation.

4 Receiver Setup:

To program the receiver (pn 10RD433 sold separately), please refer to BEA user's guide 75.5092.

4 Company Contact



Do not leave problems unresolved. If a satisfactory solution cannot be achieved after troubleshooting a problem, please call B.E.A., Inc. If you must wait for the following workday to call B.E.A., leave the door inoperable until satisfactory repairs can be made. Never sacrifice the safe operation of the automatic door or gate for an incomplete solution.

The following numbers can be called 24 hours a day, 7 days a week. For more information, visit www.beainc.com.

West: 1-888-419-2564
South-East: 1-800-407-4545
US and Canada: 1-866-249-7937

Mid-West: 1-888-308-8843
North-East: 1-866-836-1863
Canada: 1-866-836-1863