

SINGLE GANG PUSH PLATES

STAINLESS STEEL ACTUATORS



PRIMARY APPLICATIONS



DESCRIPTION

BEA's single gang push plates improve overall door access, enhance accessibility for those with disabilities and seamlessly integrate with an automatic door's activation. These ADA-compliant push plates are available in a variety of popular faceplate graphic options.

These push plates may be hard wired to the door operator or connected to BEA's line of wireless transmitters.

FEATURES & BENEFITS

- $\frac{1}{16}$ inch thick stainless steel for maximum durability
- Concealed fasteners to minimize vandalism
- Complete kits available including plates, mounting boxes and optional wireless devices for ease of ordering
- Various text, graphic and logo options available
- Compatible with both surface and flush mount boxes



BEA, Inc.
RIDC Park West
100 Enterprise Drive
Pittsburgh, PA 15275-1213

Customer Service: 800.523.2462
Technical Support: 800.407.4545
www.BEAinc.com

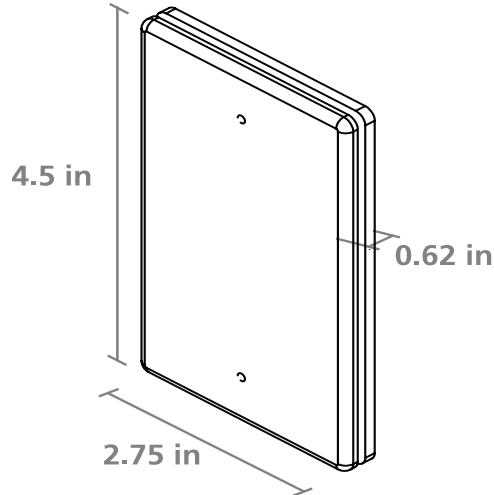
APPLICATIONS



TECHNICAL SPECIFICATIONS

Faceplate Material	16 gauge, 304 2B Stainless Steel
Backplate Material	1/8 inch thick, Aluminum
Mounting Screws	Stainless Steel, 6-32 x 1 in & 8-32 x 1 in Allen Head Size: 5/64
Cherry Switch	Single-pole, 15 A, COM / NO / NC, UL Recognized
Compatible Wireless Frequencies	900, 433 or 300 MHz

DIMENSIONAL DRAWINGS



RELATED PRODUCTS



10PBO241
"PUSH TO OPEN" TEXT
& HANDICAP LOGO



10PBO24L
HANDICAP LOGO
ONLY



10PBO2410
PLAIN
FACE



10PBO24E
"PUSH TO EXIT"
TEXT ONLY

www.BEAinc.com

© 2017 BEA, Inc. All rights reserved.

SINGLE GANG PUSH PLATES STAINLESS STEEL ACTUATORS

BEA, Inc.
RIDC Park West
100 Enterprise Drive
Pittsburgh, PA 15275-1213

Customer Service: 800.523.2462
Technical Support: 800.407.4545

