



CABLE DRUMS INSTALLATION

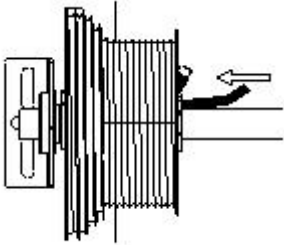
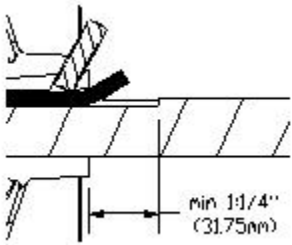
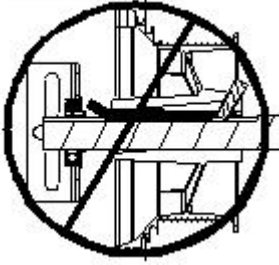
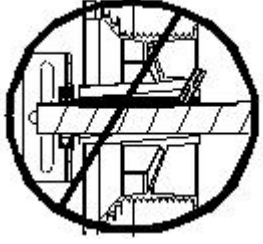
Reference manual



INSTALLATION GUIDE

SPECIFICATIONS FOR DRUM INSTALLATION

For optimum performance, every keyed drum must be used with the appropriate key.
The key must be held in the appropriate position by a tightened screw.

	<p style="text-align: center;">NOTICE</p> <p>To be able to insert the 3:3/4" bent key or 3" straight key, a minimum of 1:1/4" *keyed shaft must exceed the drum. For a proper installation, the bent portion of the key should be in contact with the drum.</p> <p style="text-align: center;"><i>* The minimum keyway clearance is 2:1/4" for a 4:3/4" bent key</i></p>
	<p style="text-align: center;">NOTICE</p> <p>To be able to insert the 3:3/4" bent key or 3" straight key, a minimum of 1:1/4" *keyed shaft must exceed the drum. For a proper installation, the bent portion of the key should be in contact with the drum.</p> <p style="text-align: center;"><i>* The minimum keyway clearance is 2:1/4" for a 4:3/4" bent key</i></p>
	<p style="text-align: center;">CAUTION</p> <p>Drum strenght might be considerably reduced if the key is installed on the cable entry side of the drum.</p>
	<p style="text-align: center;">NOTICE</p> <p>It is really important to fix the key with the drum screw. Special care must be taken while using a straight key as it may shift toward the back of the drum.</p>

