

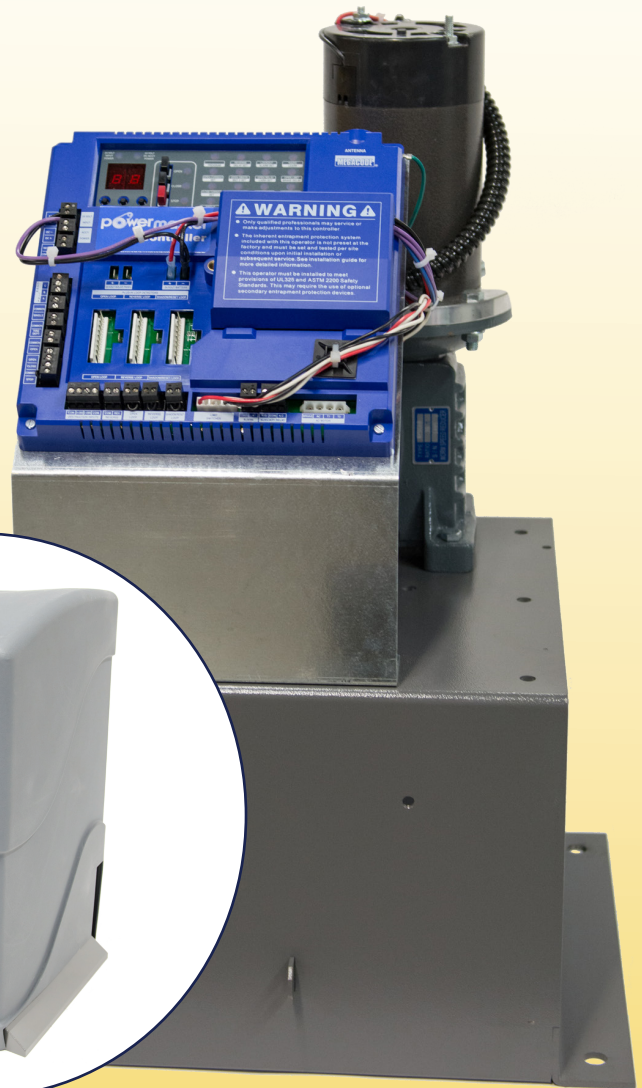
powermaster

DCSG

Vehicular Slide Gate Operator for high traffic application. Ideal for custom homes, apartments, self storage and other commercial properties.

Standard Features:

- Battery Backup
- Soft Start / Soft Stop
- Easy Set Limits
- AC Power Outlets
- Plug-In Loop Detectors (optional)
- Easy-Install Design



www.VEpower.net

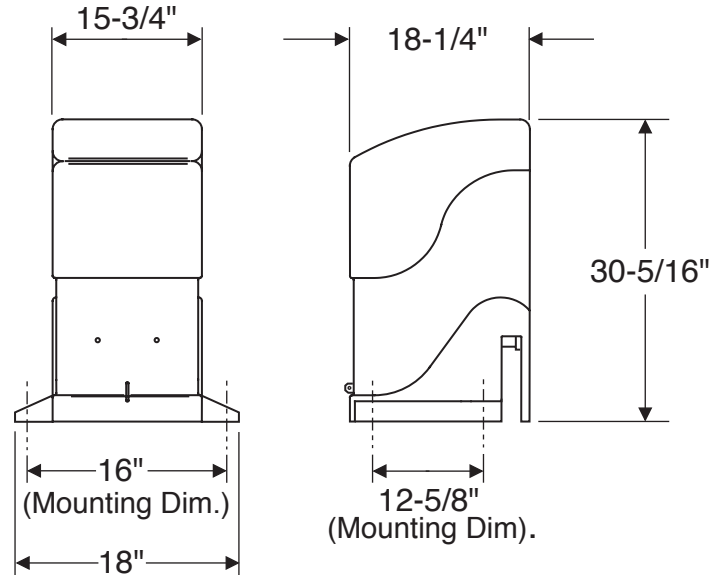
[Facebook.com/PowerMasterOperators](https://www.facebook.com/PowerMasterOperators)

SERVICING THE INDUSTRY SINCE 1969

DCSG

Specifications & Features

- 24 VDC direct drive motor offers higher efficiency
- Built-in battery backup with batteries included - Up to 300 cycles with fully charged batteries when A/C power is out
- Soft-Start/Soft Stop feature for smooth operation
- Optional Plug-in Loop Detectors save time and wiring
- Built-in 3-Button control for simple installation setup
- Power fail operation can be set to open gate or cycle gate
- Maglock or Solenoid lock output standard
- Solid state circuitry is protected by a plastic enclosure
- Solar and low voltage charging inputs for added power control
- Built-in Radio Receiver



COVER: UV PROTECTED POLYETHYLENE

GEARBOX: HEAVY DUTY

MOTOR: 1/2 HP, 24 VDC

POWER INPUT: 120 VAC

TRAVEL SPEED: 12 INCHES/SECONDS (APPROX.)

GATE CAPACITY: 1500 LBS, 40 FEET COMMERCIAL

SHIPPING WEIGHT: APPROX 140 LBS

CAUTION

A moving gate can cause serious injury or death!

Carefully read and follow all safety instructions, precautions, and guidelines when installing and using this product.

Motorized gates are for vehicles only. Pedestrians must use a separate entrance. **NO ONE SHOULD CROSS THE PATH OF A MOVING GATE!**

Proper reversing devices must be installed on gates to avoid all hazards, pinch points and entrapment. Eliminate all hazards, pinch points and entrapment areas.

Warning signs must be permanently installed and visible to traffic and pedestrians.

Do not mount operating devices accessible through gates or between a gate and wall.

Never allow children to lay in the path of a gate. Never allow children to operate or play with the gate controls.

Follow UL 325 and ASTM F220-02 standards.

Do not install this product unless all hazards, pinch points and entrapment points are protected.

