



Push-In  
Bottom Seal Kit

## **E-Z ZIP COILED PUSH-IN BOTTOM SEAL KIT**



### **E-Z ZIP Coiled Push-In Bottom Seal Kit Features:**

- Innovative design streamlines installation and saves money
- Two-in-one retainer and weather seal solution
- Available in 1-3/8 inch and 2 inch sizes
- Structural supports hold rigid and flex portions together; prevents cracking and warping
- Comes with instructions
- Push-in barb retainer design makes assembly easy

### **E-Z ZIP Coiled Push-In Bottom Seal Kit**

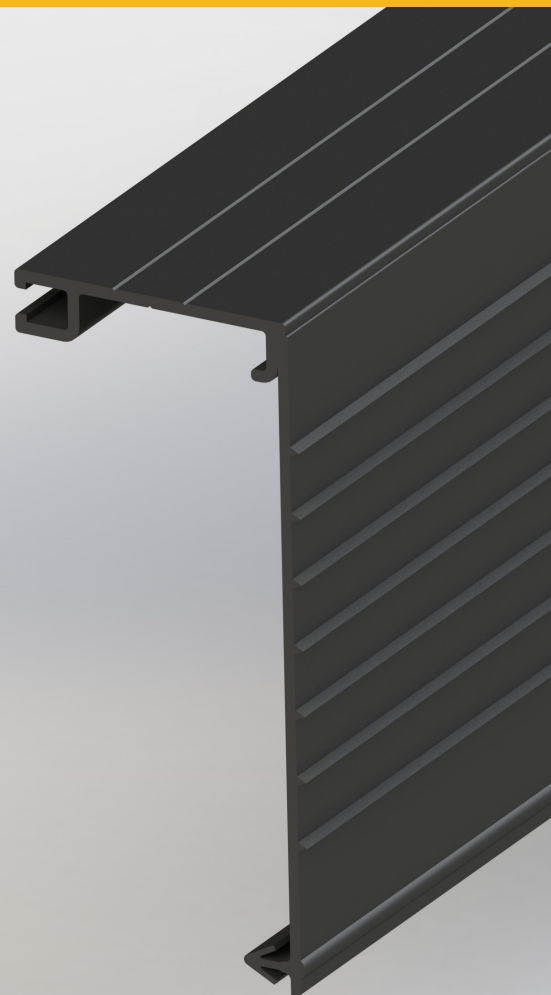
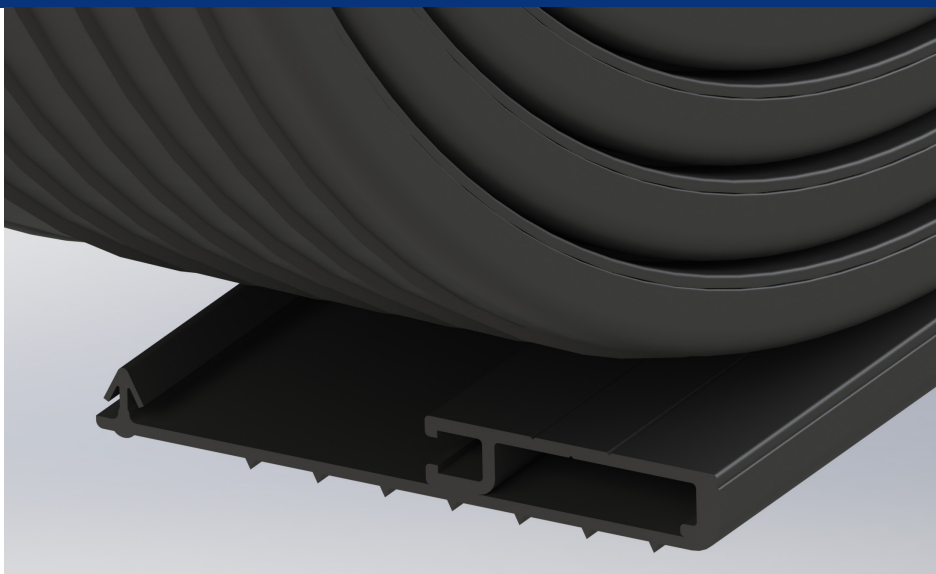
Coiled Push-in 1-Piece Bottom Seal Kit is a patent-pending two-in-one retainer and weather seal for garage doors. Most weather seals on the market require separate installation of weather seal retainers to hold seals in place. This innovative Action Industries design removes the need for retainers to streamline installation and save money.

The E-Z ZIP Coiled Push-In Seal comes in 1-3/8 inch and 2 inch sizes and comes ready to install out of the box. Simply uncoil your 1-Piece Bottom Seal and begin installing to the bottom of a door with self-tapping fasteners (10 and 20 foot kits only). Choose coil lengths ranging from 10 ft. all the way to 100 ft. for whatever suits your job.

**Call for Quote • 800.321.1130**

**[www.action-ind.com](http://www.action-ind.com)**

# E-Z ZIP COILED PUSH-IN BOTTOM SEAL KIT



## Coiled Push-In Seal benefits:

- Reduce freight costs with compact boxes easy to ship.
- Order what you need for the job, not to stock.
- Easy to install – pre-knocked holes show where to mount
- Everything you need in one box – seal, nails, instructions

Item No.	Item Description
109-0414	Kit, 10ft Coiled Push-in Bottom Seal, 1.375in Door w/Screws
109-0415	Kit, 20ft Coiled Push-in Bottom Seal, 1.375in Door w/Screws
109-0416	Kit, 50ft Coiled Push-in Bottom Seal, 1.375in Door w/Screws
107-0132	Kit, 100ft Coiled Push-in Bottom Seal, 1.375in Door
109-0418	Kit, 10ft Coiled Push-in Bottom Seal, 2in Door w/Screws
109-0419	Kit, 20ft Coiled Push-in Bottom Seal, 2in Door w/Screws
109-0420	Kit, 50ft Coiled Push-in Bottom Seal, 2in Door w/Screws
107-0133	Kit, 100ft Coiled Push-in Bottom Seal, 2in Door

The patent pending E-Z ZIP Coiled Push-In Bottom Seal Kit makes installation easier. Simply install the screws and press the barb into the channel and installation is Completed.



Call for Quote • **800.321.1130**

[www.action-ind.com](http://www.action-ind.com)