



## ASSEMBLY/INSTALLATION

# Chain/Belt Drive Models

### PRE-INSTALLATION CONSIDERATIONS

This opener includes parts and supplies needed for installation in most garages and on most garage doors. There are many variations of garages and garage doors. A few additional parts and supplies may be needed for installation in your garage and to your garage door. While going over these instructions, please note the additional items you may need. For help finding a local Genie® Professional Dealer, refer to the dealer locator at [www.GenieCompany.com](http://www.GenieCompany.com) or call Customer Service at 1-800-35-GENIE.

There are a few specific areas which might require extra materials. **Measure the height of your door. For doors taller than 7' and up to 8' in height, you will need a Rail Extension Kit for the door to fully open.**

**See section 4** - The header above the garage door where torsion springs are used—does it extend far enough above the spring(s) to allow mounting of the header bracket? If not, or if you can't tell—you will probably need a piece of 2" x 6" lumber to span across wall studs.

**See section 6** - The area overhead where the powerhead will be mounted—if you have a finished ceiling, you will need a piece of perforated angle which can span across beams of trusses. **See section 9** - Is there wood along the door tracks near the floor where the Safe-T-Beam™ can be most easily mounted, or will you need fasteners or some other material for mounting to the track itself? Will you need extension brackets or wooden blocks to extend the Safe-T-Beam far enough off the wall to see past any door hardware?

Is there an electrical outlet within approximately 3' of the point where the opener will be? If not, you need to contact a licensed electrician.

Check condition of your door and all its associated hardware: Tracks, springs, hinges, rollers. Is anything loose or appear to be worn? If so, call a trained professional for an evaluation and repairs. **DO NOT ATTEMPT TO ADJUST SPRINGS OR THEIR ATTACHED PARTS!**

Operate the door manually. Does it move freely and smoothly? Check the balance of the door by manually lifting it halfway open and release. It should stay put or move very slowly. If not, call a service person for repairs.

Remove all ropes and remove or disable all locks connected to the garage door before installing opener. It is also recommended that T-handles be removed. It is recommended that closed loop lifting handles with no protruding parts remain.

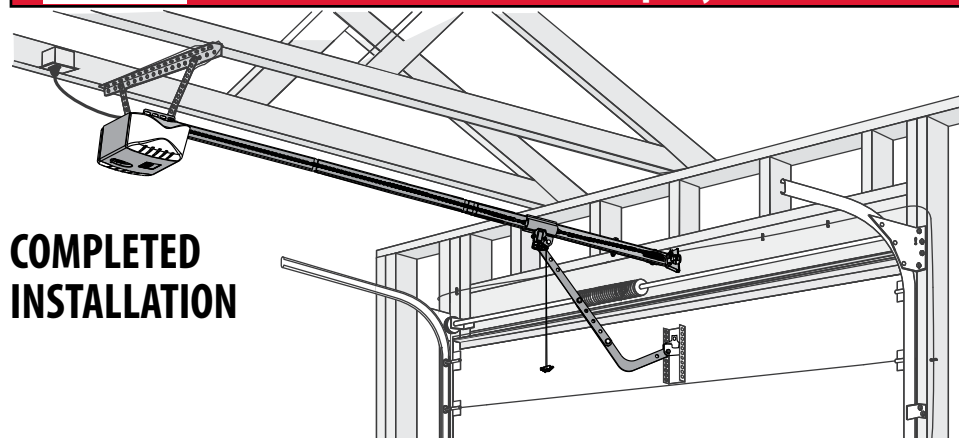
### ASSEMBLY AND INSTALLATION VIDEO



Scan this code for installation videos

OR view on Genie's website:

[www.GenieCompany.com](http://www.GenieCompany.com)



COMPLETED  
INSTALLATION



NEED HELP OR HAVE QUESTIONS?  
DO NOT RETURN to the store.  
Call Genie: 1-800-35-GENIE or visit [www.GenieCompany.com](http://www.GenieCompany.com)



# IMPORTANT INSTALLATION INSTRUCTIONS

### POTENTIAL HAZARDS

Overhead doors are large, heavy objects that move with the help of springs under high tension and electric motors. Since moving objects, springs under tension, and electric motors can cause injuries, your safety and the safety of others depends on you reading the information in this installation poster. If you have questions or do not understand the information presented, call The Genie Company (1-800-35-Genie). In this section, and those that follow, the words Danger, Warning and Caution are used to emphasize important safety information.

**▲ DANGER** Indicates an imminently hazardous situation which, if not avoided, will result in death or serious injury.

**▲ WARNING** Indicates a potentially hazardous situation which, if not avoided, could result in death or serious injury.

**▲ CAUTION** Indicates a potentially hazardous situation which, if not avoided, may result in injury or property damage.

**NOTE** is used to indicate important steps to be followed or important considerations.

## ▲ WARNING

### TO REDUCE THE RISK OF SEVERE INJURY OR DEATH

READ AND FOLLOW ALL SAFETY, INSTALLATION AND OPERATION INSTRUCTIONS. If you have any questions or do not understand an instruction, call The Genie® Company or your local Genie® Factory Authorized Dealer.

- **DO NOT** install opener on an improperly balanced door. An improperly balanced door could cause severe injury. Repairs and adjustments to cables, spring assembly, and other hardware must be made by a trained service person using proper tools and instructions.
- Remove all ropes and remove or disable all locks connected to the garage door before installing opener.
- Where possible, install door opener 7 feet or more above the floor. For products having an emergency release, mount the emergency release within reach, but at least 6 feet above the floor and avoiding contact with vehicles to avoid accidental release.
- **DO NOT** connect the opener to the source of power until instructed to do so.
- Locate the wall console button: A) Within sight of door. B) At a minimum height of 5 feet so small children cannot reach it. C) Away from all moving parts of the door.
- Install the entrapment WARNING label next to the wall button or console. Install red emergency release handle on the emergency release cord.
- The opener must reverse when the door contacts a 1-1/2 inch high object on the floor at the center of the doorway. This is about the size of a 2" x 4" board laid flat.

### ▲ WARNING



**A moving door could result in serious injury or death.**

- Keep people clear of opening while door is moving.
- **DO NOT** allow children to play with the door opener.
- **DO NOT** operate a door that jams or one that has a broken spring.

### ▲ WARNING



**An Electrical Shock could result in serious injury or death.**

- Turn off power before removing opener cover.
- When replacing cover, make sure electrical wires are not pinched or near moving parts.
- Opener must be properly grounded.

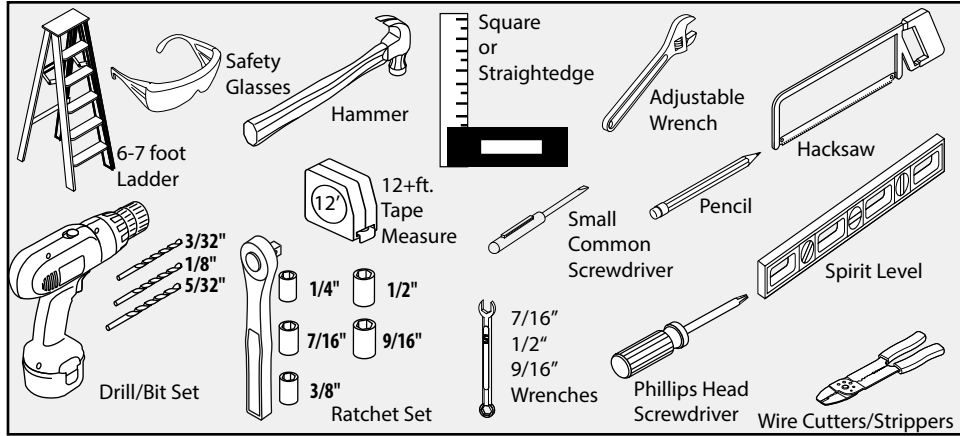
### ▲ WARNING



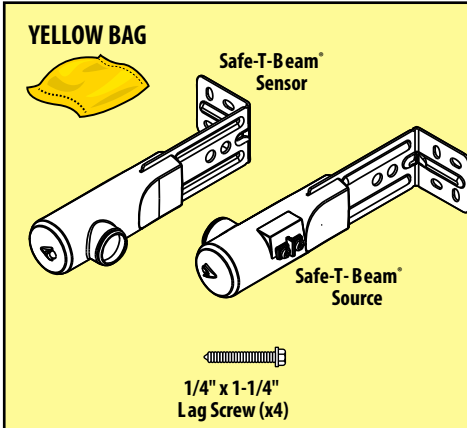
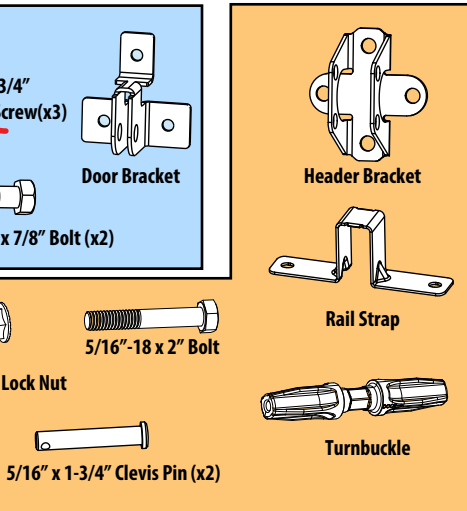
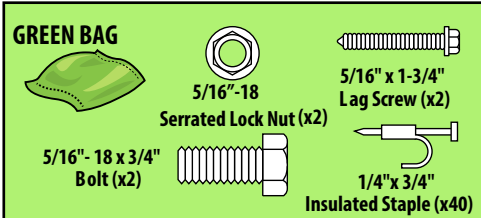
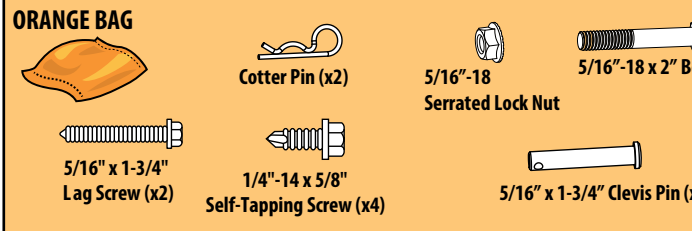
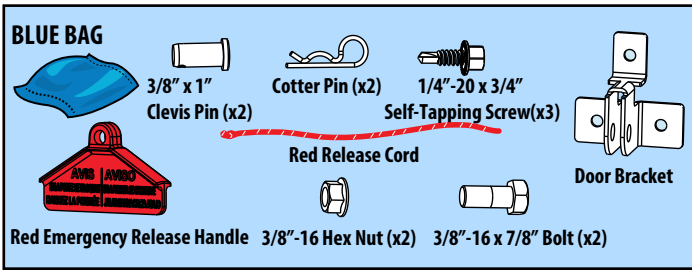
**WARNING—HIGH SPRING TENSION**

- **DO NOT** try to remove, repair or adjust springs or anything to which door spring parts are fastened, such as wood block, steel brackets, cables or other like items.
- Repairs and adjustments must be made by a trained door system technician using proper tools and instructions.

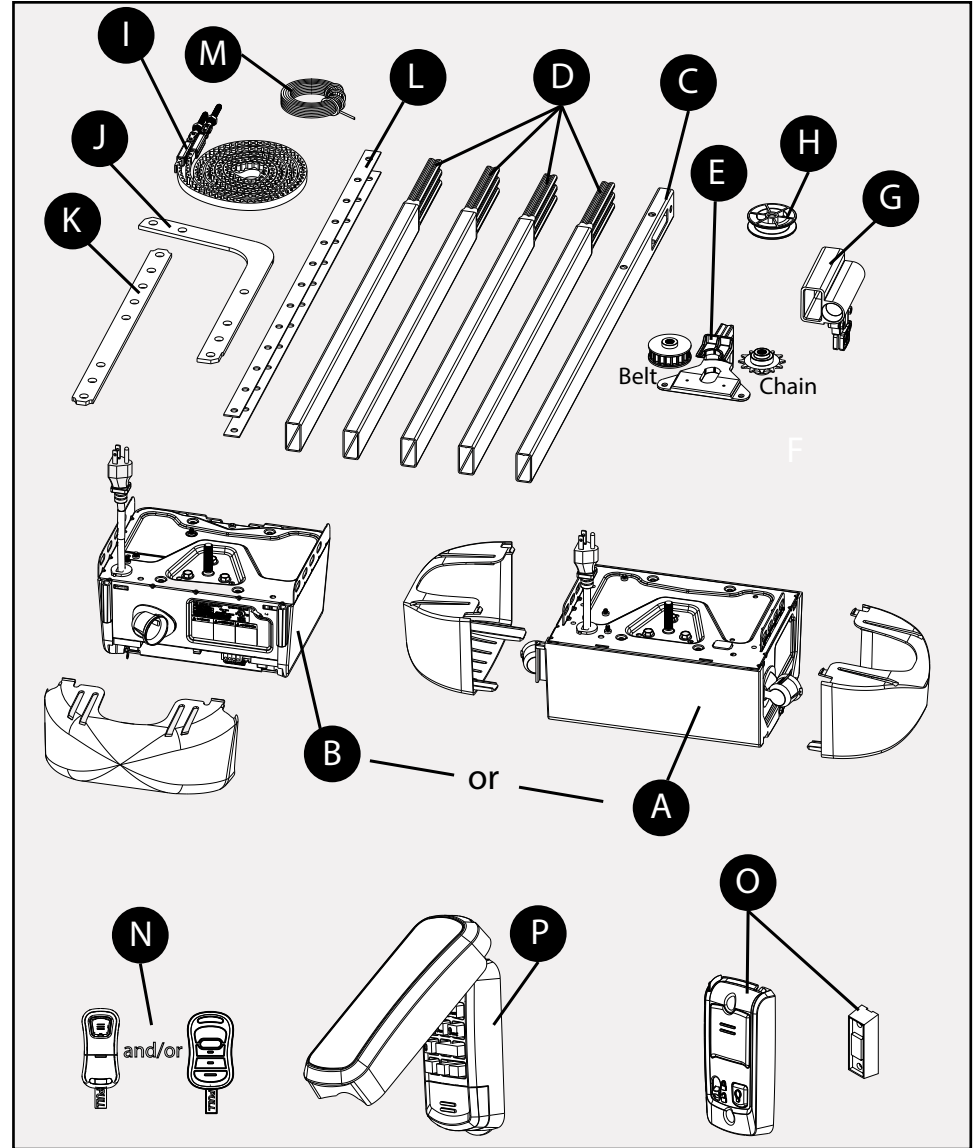
## RECOMMENDED TOOLS



## HARDWARE BAGS



## PARTS INCLUDED



## PARTS LIST

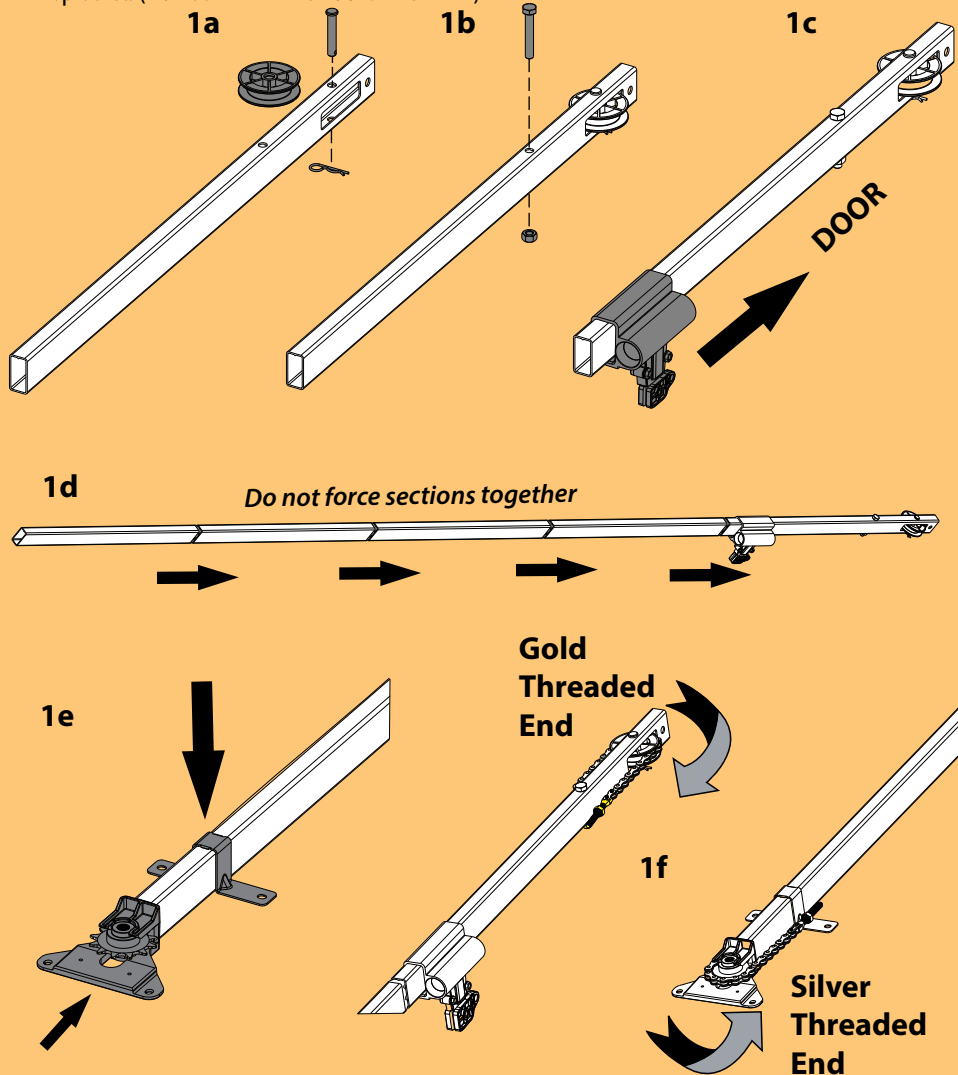
- |                                |   |                                |
|--------------------------------|---|--------------------------------|
| A = 2 Light Powerhead & Lenses | J = Curved Door Arm                               | • Blue Parts Bag               |
| B = 1 Light Powerhead & Lens   | K = Straight Door Arm                             | • Yellow Parts Bag             |
| C = Header Rail Section        | L = Mounting Straps (x2)                          | • Orange Parts Bag             |
| D = Rail Sections (x4)         | M = 90ft. Wire Spool                              | • Green Parts Bag              |
| E = Sprocket Support Assembly  | N = Remote  | • Clear Bag (Belt Models Only) |
| G = Carriage Assembly          | O = Wall Control:<br>(Console or Standard Button) |                                |
| H = Idler Pulley               | P = Wireless Keypad (Select Models Only)          |                                |
| I = Chain or Belt Assembly     |   |                                |

# 1

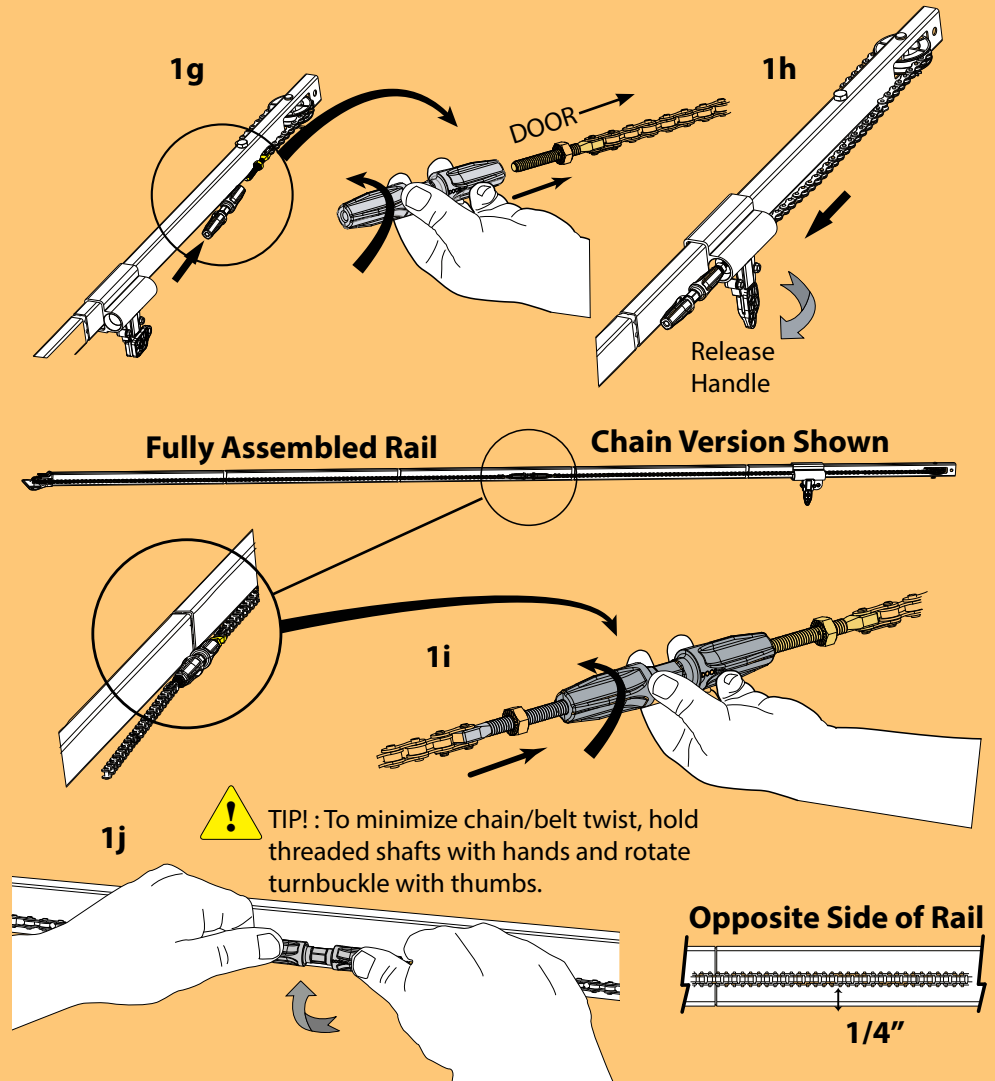
## ASSEMBLING/INSTALLING RAIL (ORANGE BAG)



- 1a. Align pulley in rail slot and insert clevis pin through header rail hole and idler pulley. Secure with cotter pin.
- 1b. Insert 5/16"-18 x 2" bolt into header rail and secure with nut.
- 1c. Slide carriage assembly onto header rail section. Note "door" arrow will point towards idler pulley.
- 1d. Insert rail sections together by hand as shown. Assembled length is approximately 9'3".
- 1e. Insert sprocket support assembly into last rail section and place rail strap onto rail.
- 1f. Route chain/belt assembly gold threaded shaft around idler pulley and silver threaded end around sprocket. (NOTE: BELT TEETH SHOULD FACE RAIL)



- 1g. Install turnbuckle with "door" end arrow onto the gold threaded end by rotating counter-clockwise one full turn.
- 1h. Disengage carriage assembly by rotating release handle downward and insert turnbuckle through the carriage as shown. Ensure chain/belt is not twisted or bound.
- 1i. Continue routing the chain/belt assembly until turnbuckle is near the middle of the rail. Insert silver threaded shaft into the turnbuckle and rotate turnbuckle counter-clockwise one full turn.
- 1j. Hold chain/belt and rotate turnbuckle with thumbs counter-clockwise until chain/belt is tensioned properly. Measure chain/belt tension on opposite side of rail until 1/4" from bottom of rail.



1. Check door height; doors taller than 7' up to 8' tall require a Rail Extension Kit (available at leading retail stores)

2. If you need an extension kit, **YOU MUST FULLY READ EXTENSION KIT INSTRUCTIONS AND WARNINGS BEFORE PROCEEDING.**

1k. Once proper tension has been established, hold turnbuckle in place with a 7/16" or adjustable wrench. Tighten both tension nuts with a 7/16" wrench.

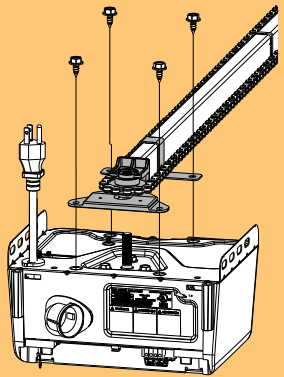
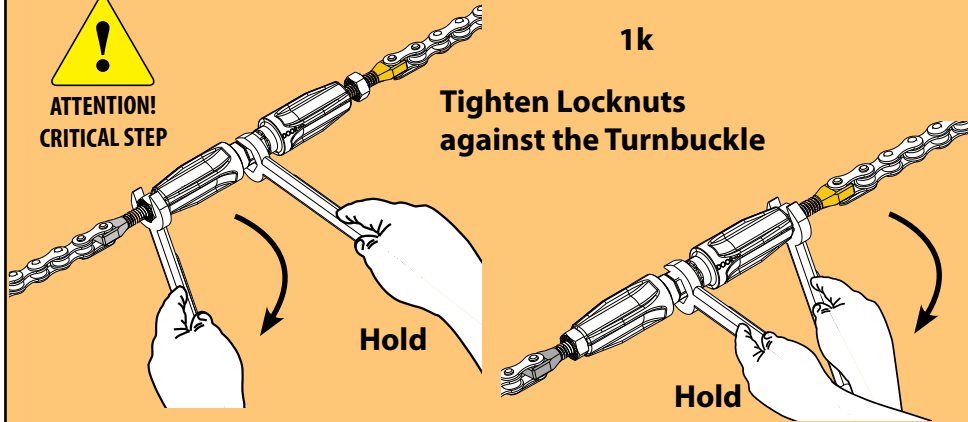
1l. Lower the drive sprocket over the spline shaft on top of the powerhead. Align rail strap and sprocket support with holes in powerhead. Fully tighten 1/4"-14 x 5/8" self tapping screws. Do not overtighten.

1m. Install belt retainer using #6 x 3/8" self tapping screws. (Clear parts bag, Belt models only).

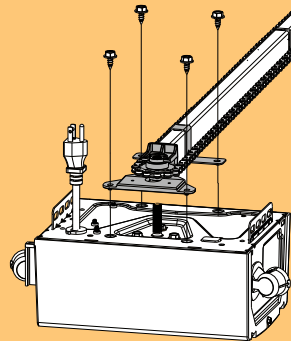


**ATTENTION!**  
**CRITICAL STEP**

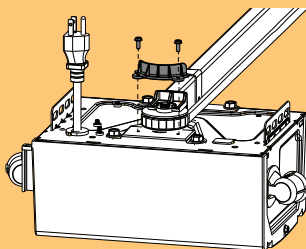
**1k**  
**Tighten Locknuts**  
**against the Turnbuckle**



**1 Bulb Model**



**2 Bulb Model**



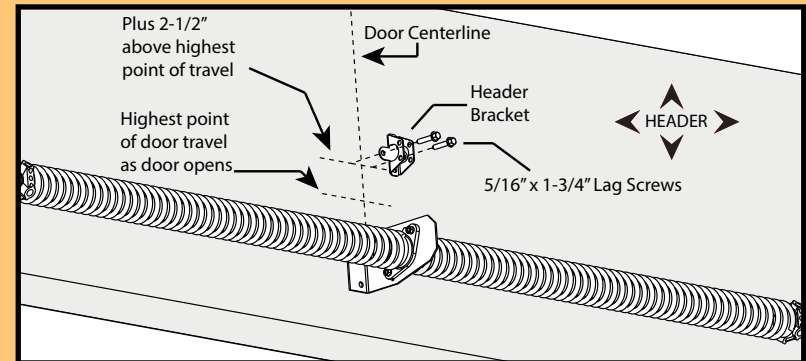
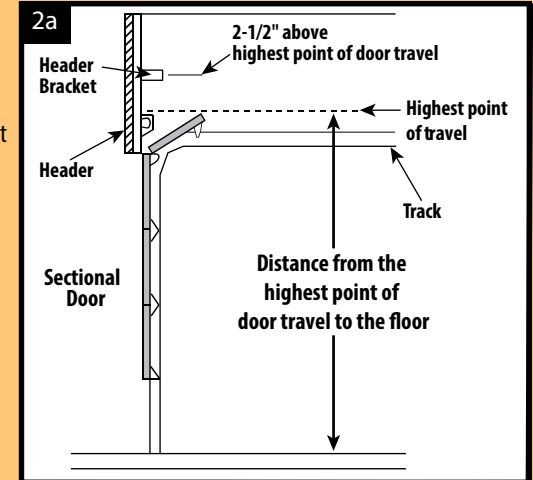
**1m**  
**Clear Bag**  
**Belt Models Only**

**2**

## MOUNTING RAIL BRACKET ON HEADER (ORANGE BAG)



- 2a. Determine "highest point of door travel":
- Get on a ladder to the side of your garage door.
  - Have someone lift the door open slowly.
  - As the door is raised, find the highest point where the door extends above the door tracks—that is the highest point of door travel. For sectional doors this is typically where the top door roller exits the curved portion of the track onto the horizontal section as the door is raised.
- 2b. With a tape measure, determine the distance from the highest point of door travel to the floor.
- 2c. Place a mark on the header at the highest point of door travel, preferably at the center of the door (measured side to side).
- 2d. Position the header bracket above the highest point of travel: **2-1/2" above highest point of door travel.**
- 2e. Drill 5/32" pilot holes in header and secure bracket with 5/16" x 1-3/4" lag screws.



### **⚠ WARNING**

Door springs are under high tension. If spring or shaft is in the way, measure above spring or shaft on the garage door centerline and mark as location for header bracket. **DO NOT ATTEMPT TO MOVE, ADJUST, OR REMOVE DOOR SPRING!**

### **⚠ CAUTION**

Header Bracket must be fastened to garage framing. **DO NOT** fasten to drywall, particle board, plaster, or other such materials.

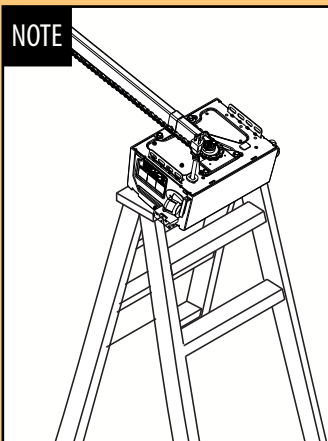
# 3

## ATTACHING RAIL TO BRACKET (ORANGE BAG)

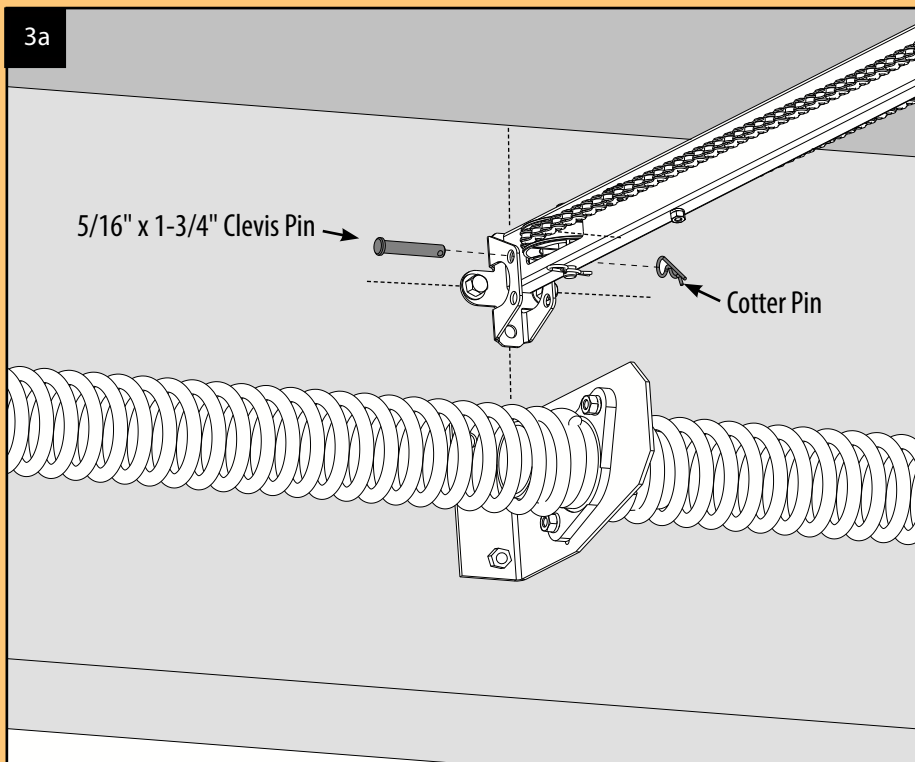


- 3a. Elevate powerhead assembly and position header rail section (C) inside bracket.
- NOTE:** Support powerhead and have a second person assist during this step.
- 3b. Align holes in rail with upper holes in bracket.
- 3c. Slide clevis pin through holes in rail and bracket and secure with cotter pin.
- 3d. Slide carriage near the powerhead now to prevent damage to the door for step 6a.

NOTE



3a



# 4

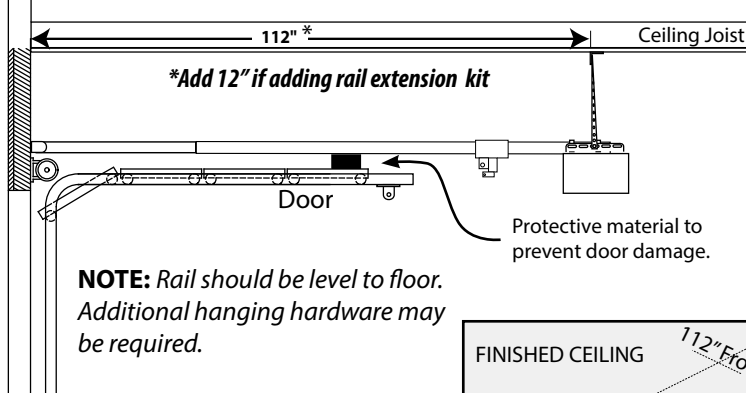
## ATTACHING POWERHEAD TO CEILING (GREEN BAG)



There are several methods to mount the powerhead to the ceiling. The most popular methods are shown here.  
**Attach to garage framework only. DO NOT attach to drywall or partial board.**

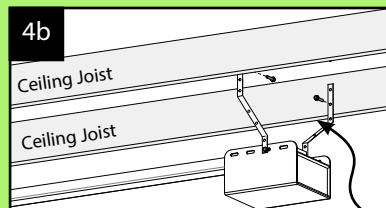
- 4a. If possible, lift and support powerhead while a second person fully opens the door. **Insert a 2 x 4 board, cardboard or towel between door and rail to protect door.** Measure and mark the door centerline. Position powerhead over the centerline of door and allow it to rest on board. **Otherwise**, measure and mark ceiling 112" \* back from the header, aligned with the centerline of the door.
- 4b. Method **A**-For open ceilings with exposed joist, drill 5/32" pilot holes and secure included mounting straps to joist using 5/16" x 1-3/4" lag screws. Raise powerhead unit so that there is sufficient clearance between door and rail. Cut and/or bend mounting straps as needed to align with the powerhead and to level the rail. Secure powerhead to mounting straps using 5/16"-18 x 3/4" bolts and nuts. Ensure powerhead is centered with the door and **remove the 2 x 4 board and/or other protective material.**
- 4c. Method **B**-For finished or unfinished ceilings, attach perforated angle (not supplied) to joists using 5/16" x 1-3/4" lag screws and secure mounting straps to the perforated angle with 5/16"-18 bolts and nuts (not supplied). Raise powerhead so that there is sufficient clearance between door and rail. Cut and/or bend mounting straps as needed to align with the powerhead and to level the rail. Secure powerhead to mounting straps using 5/16"-18 x 3/4" bolts and nuts. Ensure powerhead is centered with the door and **remove the 2 x 4 board and/or other protective material.**
- 4d. Close the Door.

4a



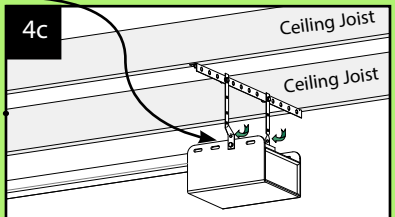
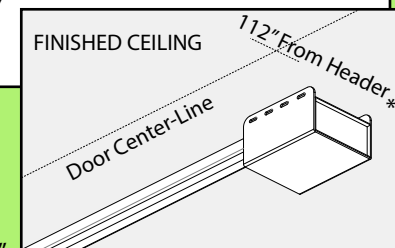
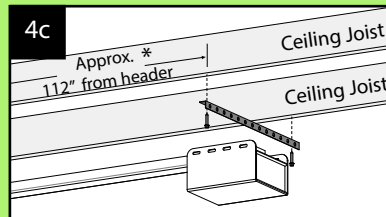
**NOTE:** Rail should be level to floor. Additional hanging hardware may be required.

4b



Mounting Straps, 5/16" Bolts & Nuts, 5/16" Lag Bolts provided

4c



5

## ATTACHING DOOR BRACKET TO DOOR (BLUE BAG)

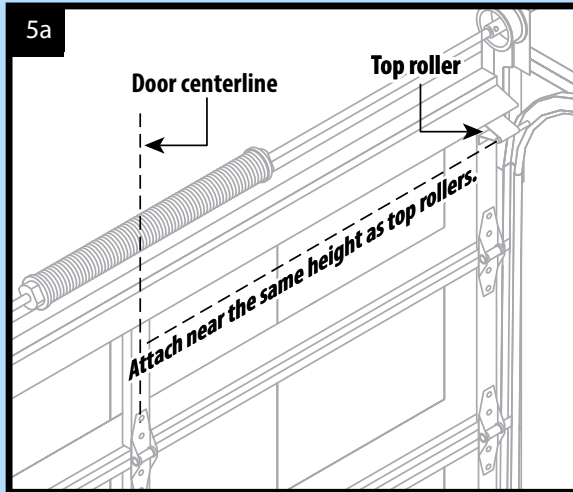


### Sectional Door (Typical):

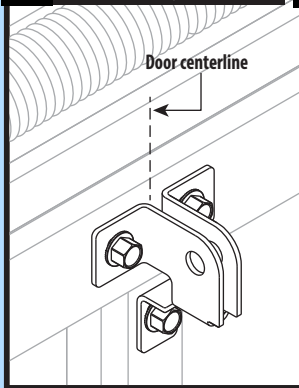
- 5a. Center bracket on door. Attach near the same height as top rollers.
- 5b. Using bracket, mark holes on door.
- 5c. Drill 1/8" pilot holes partially through the door.
- 5d. Secure with 1/4" - 20 x 3/4" self-drilling screws.
- 5e. Some garage door manufacturers provide door brackets that CAN be used with your Genie Door Arms.

### Sectional Door (Wooden):

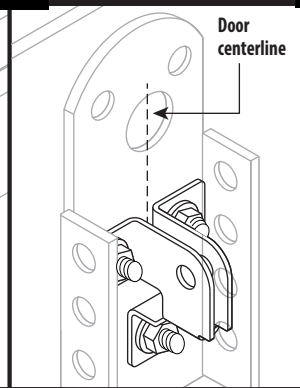
- 5a. Center bracket on door. Attach near the same height as top rollers.
- 5b. Using bracket, mark holes on door or frame.
- 5c. Drill 9/32" holes completely through the door.
- 5d. Fasten bracket with 1/4" x 2" carriage bolts and nuts (not provided).



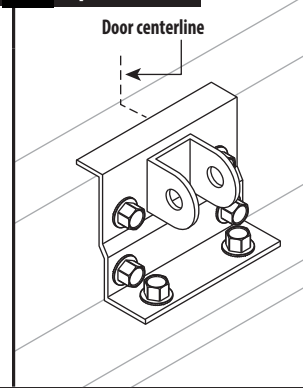
### 5d Sectional (Typical)



### 5d Sectional (Wooden)



### 5e Top of door



## CAUTION

Doors made of masonite, lightweight wood, fiberglass, and sheet metal must be properly braced before mounting door bracket. Contact door manufacturer or distributor for any questions or concerns. The Genie® Company is not responsible for any damage caused due to an improperly braced door.

6

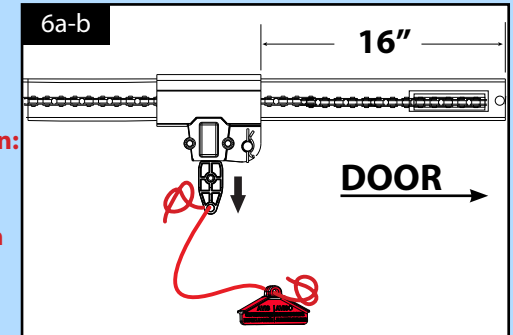
## ATTACHING DOOR ARM TO DOOR BRACKET & CARRIAGE (BLUE BAG)



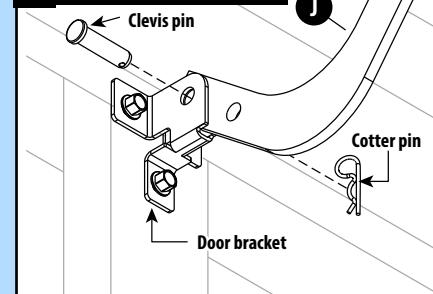
- 6a. Secure cord to the red emergency release handle and carriage release.
- 6b. Pull the emergency release cord to disengage the carriage and move it toward the door, about 16" from the header. Check and adjust chain/belt tension at this time (see not below)
- 6c. Sectional Doors typically accept curved door arm (J). Install the curved door arm inside the door bracket using 3/8" x 1" clevis and cotter pins. In some cases, just the straight door arm (K) may be used if the door bracket is mounted on the top edge of the door. (FIG. 5e)
- 6d. Attach straight door arm to carriage using 3/8" x 1" clevis and cotter pins.
- 6e. With the door closed, attach the curved and straight door arms together using 3/8"-16 x 7/8" bolts and nuts. Space the fasteners as far apart as possible.

**NOTE:** Overall length of both arms should be minimized, but not so short that the straight arm is vertical or too long that it exceeds 30° from the header.

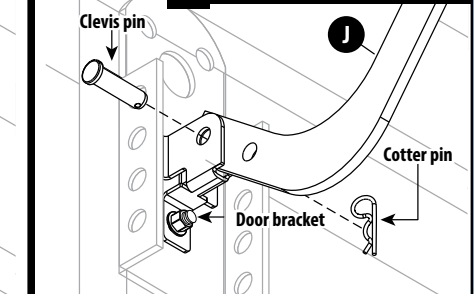
**Check and adjust chain/belt tension:** With carriage disengaged, check belt/chain tension. Proper tension is obtained when chain/belt is between bottom of the rail and 1/4" above. Refer to section ij on this poster.



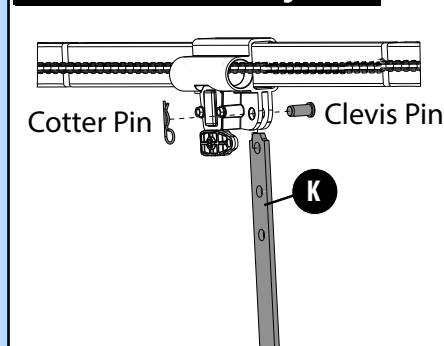
### 6c Sectional (Typical)



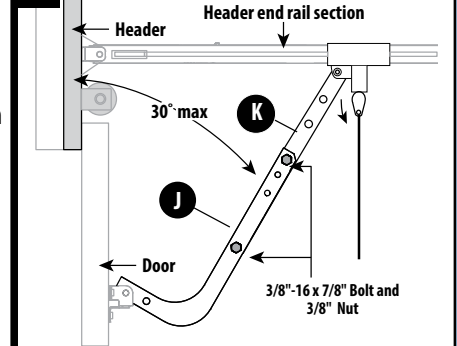
### 6c Sectional (Wooden)



### 6d Attach Door Arm/Carriage



### 6e

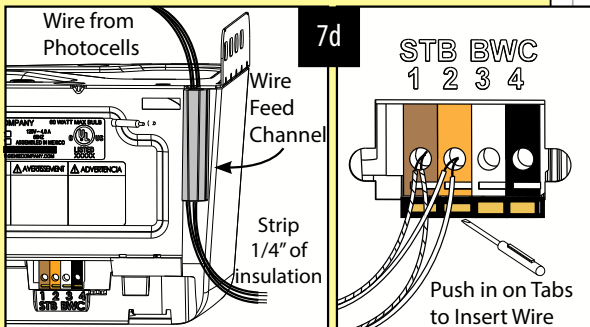
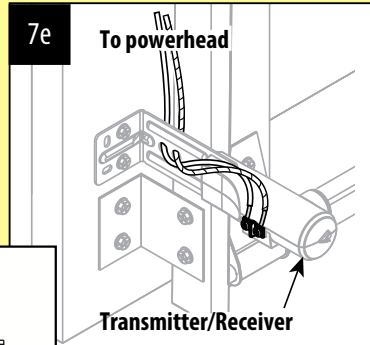
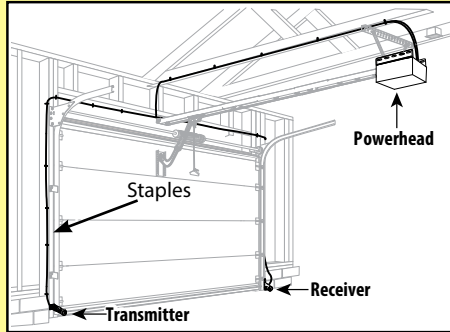
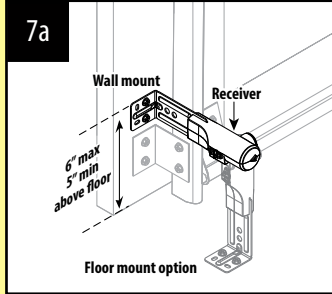


# INSTALLING SAFE-T-BEAM® (YELLOW BAG)



## READ ALL STEPS BEFORE PROCEEDING

- 7a. Position Safe-T-Beam™ (STB) Transmitter and Receiver on each side of garage door 5"-6" above floor. Face the lenses towards each other.
- 7b. Mark bracket mounting holes; drill 3/32" pilot holes and secure with (4) 1/4" x 1-1/4" lag screws (provided) into wood. If mounting into concrete or block, other fasteners are required and are available at leading retail stores.
- 7c. Use garage pre-wiring if available. Otherwise, route 2 lengths of supplied wire from powerhead, along the ceiling, across the header and down both sides of the door, to each sensor. Secure the wire to the ceiling and walls using the insulated staples in the **green bag**.
- 7d. On the powerhead: insert both wires down through the control wire channel. Remove 1/4" insulation from both sets of white and striped wire. Twist two striped wires together. **Using a small flat head screwdriver, press in the orange tab and insert the wires.** Twist the two white wires together and insert into terminal 2. Ensure the wires are in their terminal, adjust as necessary.
- 7e. At each sensor, remove 1/4" insulation from the white and striped wires and secure in each terminal. Ensure the wires are secure at each terminal; adjust as necessary.



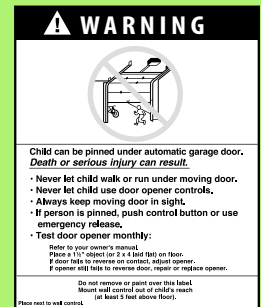
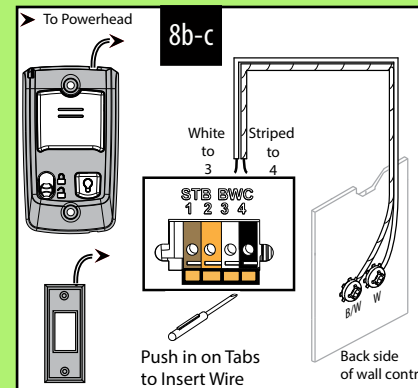
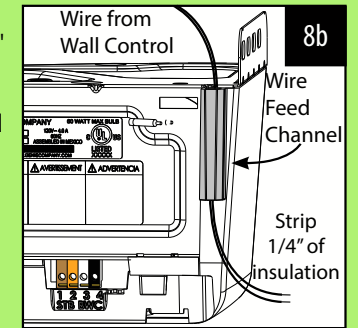
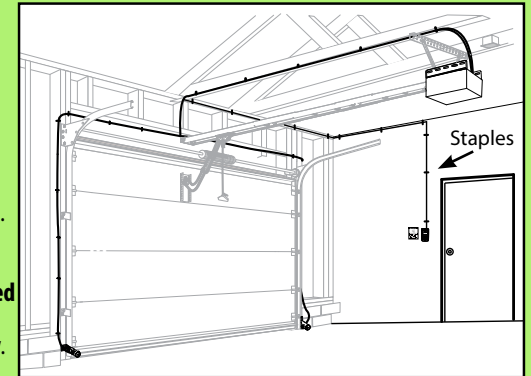
## ⚠ CAUTION

When using insulated staples, make only snug enough to hold electrical wire in place. Staples too tight can cause damage to wire and cause Safe-T-Beam™ System to malfunction.

# INSTALLING WALL CONSOLE



- 8a. Use garage pre-wiring if available. Otherwise, route supplied wire from powerhead to the desired location for the wall control. Secure wire with insulated staples (green bag).
- 8b. On the powerhead: insert wire down through the control wire channel. Remove 1/4" insulation from white and striped wire. **Using a small flat head screwdriver, press in the orange tab and insert the white wire in terminal 3 and the striped wire in terminal 4.** Ensure the wires are secure in each terminal; adjust as necessary.
- 8c. At the wall console end of the wire, remove 1/4" insulation from the white and striped wires and secure the white wire to the "W" terminal and the striped wire to the "B/W" terminal as shown. Ensure the wires are secure at each terminal; adjust as necessary.
- 8d. Mark the wall console mounting holes, drill 3/32" pilot holes and mount with #6 x 1-1/4" screws. If mounting to drywall, anchors will be required (not provided).
- 8e. Post the "ENTRAPMENT WARNING LABEL" (Included in the Operation and Maintenance Manual) next to the wall console.



**NOTE:** If pre-wiring is used, ensure that after power is applied to the powerhead (in Step 10), the wall console and Safe-T-Beam™ LEDs come on. This confirms the wiring is correct. If not, you may need to individually wire each Safe-T-Beam™ and wall console at the powerhead.

## ⚠ WARNING

Use of any other wall control can cause unexpected operation of the door and loss of lighting feature. Locate wall console within sight of door and far enough from door to prevent contacting it while operating the console. Control must be at least 5 feet above floor to prevent small children from operating it.

# 9

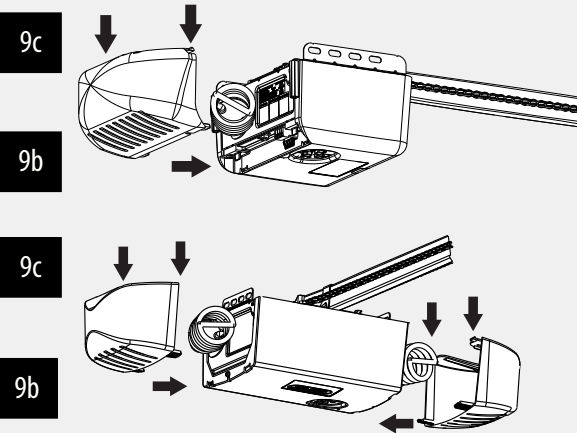
## LIGHT AND LENS ASSEMBLY

- 9a. Install light bulbs into powerhead light socket(s).
- 9b. Insert lower lens tabs into slots in motor cover on powerhead.
- 9c. Snap upper lens tabs into place. It may be necessary to squeeze tabs down slightly to align tabs with slots at top of opener frame.

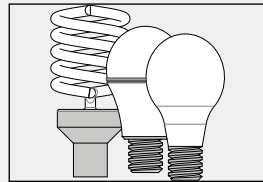
### CAUTION

DO NOT exceed maximum wattage, as the unit may overheat and permanent damage may occur. Each light bulb should be no more than 60W MAX.

Do not use halogen, short neck, or specialty light bulbs as they may overheat the opener.



**NOTE:** Use of LED bulbs may reduce the range of your remote controls.



**Compact CFL, LED, or Incandescent Bulbs can be used. 60W Max.**

### Installation & critical steps checklist prior to applying power:

- Check to ensure Turnbuckle lock-nuts have been tightened with a wrench (Step 1k) This is a critical step to maintain tension on the chain or belt.
- Check to ensure that wall control and photocells wires have been routed through the channel to make sure they do not touch the light bulbs (Steps 7 & 8).

# 10

## CONNECTING POWER

### For Grounded Outlet connection:

- 10a. Plug in the power cord to standard 115 VAC outlet. Coil excess cord and tape or twist tie it to top of powerhead. (DO NOT PLACE ABOVE LIGHT BULBS.). Proceed to step 10d.

### CAUTION

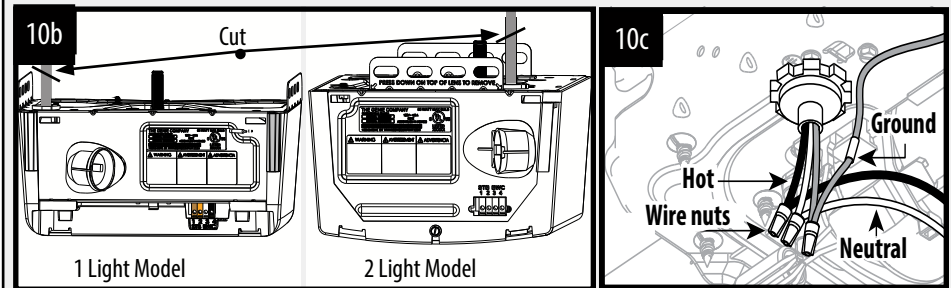
DO NOT run opener until travel limits have been set to avoid damage to unit.

### WARNING

Opener is equipped with grounded electrical plug for your protection, and **only fits grounded electrical outlets. DO NOT** alter plug in any way! **If you have no grounded outlets, have one installed by a licensed electrician.** Opener must be properly grounded to prevent personal injury and equipment damage. **NEVER USE AN EXTENSION CORD!** Check local building codes for any requirement that you must have a permanent hard-wired connection.

### For Permanent Wiring by an Electrician:

- 10b. Cut existing power cord OUTSIDE CHASSIS.
- 10c. The wire connections must be made INSIDE CHASSIS and there must be at least 6" of new power supply line wire INSIDE CHASSIS. (Conduit is optional. Conduit, strain relief, and wire nuts are not provided.)



10d. Verify that the RED and GREEN lights are lit on the Safe-T-Beam®. If they are lit proceed to step 10e. If they are not lit, return to step 7 and check wiring.

10e. Verify that the wall console is lit RED. If it is RED, proceed to step 11. If powerhead LED is blinking blue, press the Sure-Lock® button on the console. If the console is not lit RED, return to step 8 and check wiring.

# 11

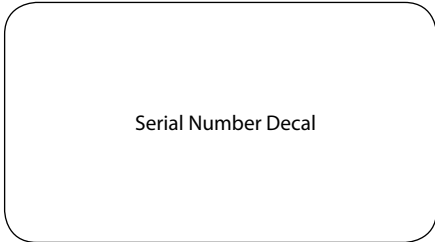
## INSTALLATION IS COMPLETE. OPENER IS NOW READY TO PROGRAM!

Refer to the Operation and Maintenance Manual for programming and Battery Backup installation instructions.





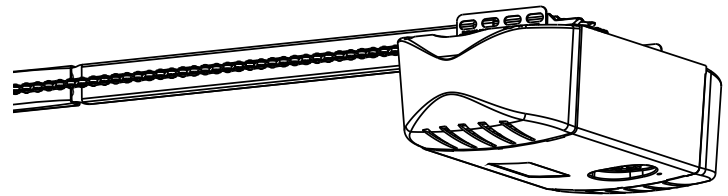
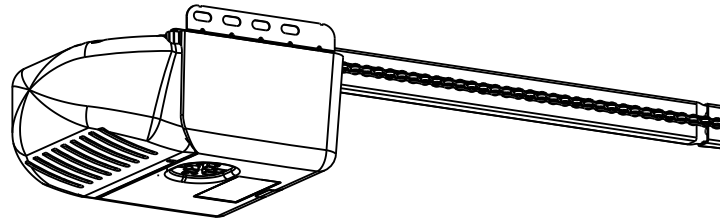
**PRE-PROGRAMMED  
REMOTE  
INCLUDED  
FOR QUICK  
& EASY  
INSTALL**



# BELT/CHAIN DRIVE

GARAGE DOOR OPENER MODELS

**1035, 2035, 2036,  
2055, 3035, 3055,  
7035, 7055**



# OPERATION & MAINTENANCE MANUAL

Includes INTELLICODE® Remote Control. **Safe-T-Beam®** system must be installed to close the door. For use only with residential sectional overhead garage doors. **Homelink®** and **Car2U®** compatible



**Need help or have questions?  
For answers and assistance,  
visit [www.GenieCompany.com](http://www.GenieCompany.com)  
or call Customer Service at: 1-800-35-GENIE**

**INSTALLER: LEAVE THIS MANUAL WITH HOMEOWNER  
HOMEOWNER: SAVE THIS MANUAL FOR FUTURE REFERENCE**

## **WARNING**

To reduce the risk of injury to persons or damage to property, use this opener only with a sectional residential door.

## **AVERTISSEMENT**

Por réduire le risque de blessures ou de dommages matériels, utilisez cet ouvre-porte uniquement pour une porte à section résidentielle.

©2015 GMI Holdings, Inc d/b/a The Genie Company, the Genie logo, Intellicode, Safe-T-Reverse, SmartSet, Sure-Lock, Door Detect, and Safe-T-Beam, are trademarks of The Genie Company. All other trademarks are property of their rightful owners. Consistent with our policy of continuing product improvements, we reserve the right to change product specifications without prior notice or obligations. HomeLink is a registered trademark of Gentex Corporation. Car2U is a registered trademark of Lear Corporation.

## TRANSMITTER COMPLIANCE STATEMENT

Transmitters comply with all United States and Canadian legal requirements as of the date of manufacture. No warranty is made that they comply with all legal requirements of any other jurisdiction. If transmitters are to be used in another country, the importer must determine compliance with any local laws and regulations which may differ from United States and Canadian requirements prior to use.

Los transmisores cumplen con todas las reglamentaciones legales de los Estados Unidos y del Canadá, en la fecha de fabricación. Ninguna garantía se da que cumplan con todas las reglamentaciones legales de ninguna otra jurisdicción. Si los transmisores se van a utilizar en otro país, el importador debe determinar si cumplen con las reglamentaciones y leyes locales que puedan ser diferentes a las reglamentaciones de los Estados Unidos y del Canadá, antes de usar los mismo .

Les émetteurs sont conformes à la réglementation américaine et canadienne à compter de leur date de fabrication. Aucune garantie n'est stipulée indiquant qu'ils sont conformes à toutes les prescriptions juridiques d'autres autorités. Si les émetteurs sont utilisés dans d'autres pays, il incombe à l'importateur d'en déterminer leur conformité aux lois et règles locales pouvant différer de celles des États-Unis et du Canada avant toute utilisation desdits émetteurs.

Sendegeräte entsprechen allen gesetzlichen Bestimmungen in den USA und Kanada zum Zeitpunkt der Herstellung. Wir übernehmen keine Gewährleistung für die Einhaltung aller gesetzlichen Bestimmungen in anderen Ländern. Sollen Sendegeräte in anderen Ländern eingesetzt werden, so muss der Importeur vor dem Gebrauch sicherstellen, dass die Sendegeräte auch solchen lokalen Bestimmungen entsprechen, welche von den Bestimmungen der USA und Kanadas abweichen.

截止于制造日期,传动装置符合美国和加拿大的所有法律要求。不提供传动装置符合任何其他司法地区所有法律要求之担保。如果传动装置需在任何其他国家使用,进口商必须在使用之前确定装置符合与美国和加拿大要求不同之所有地方法规条例。

截止于制造日期,传动装置符合美国和加拿大的所有法律要求。不提供传动装置符合任何其他司法地区所有法律要求之担保。如果传动装置需在任何其他国家使用,进口商必须在使用之前确定装置符合与美国和加拿大要求不同之所有地方法规条例。

截止于制造日期,传动装置符合美国和加拿大的所有法律要求。不提供传动装置符合任何其他司法地区所有法律要求之担保。如果传动装置需在任何其他国家使用,进口商必须在使用之前确定装置符合与美国和加拿大要求不同之所有地方法规条例。



**If you are a homeowner/end user and need help or have questions:  
call 800-35-GENIE.  
Or visit: [www.GenieCompany.com](http://www.GenieCompany.com)  
Do not return product to the store.**

Alternate language manuals available at: [www.GenieCompany.com](http://www.GenieCompany.com)

Idioma alternativo manuales disponibles en: [www.GenieCompany.com](http://www.GenieCompany.com)

Autre langue manuels disponibles à: [www.GenieCompany.com](http://www.GenieCompany.com)

**SAVE THESE INSTRUCTIONS**

**READ AND FOLLOW ALL INSTRUCTIONS**

# Table of Contents

<b>1</b>	<b>Safety Information</b>	
	Safety Notifications.....	1
	Important Safety Instructions.....	1
	Important Installation Instructions.....	2
<b>2</b>	<b>Features</b>	
	Safety Features .....	3
	Opener Features .....	3
	Safe-T-Beam Protection Function.....	3
	Wall Console Features.....	4
<b>3</b>	<b>Programming Information</b>	
	Introduction .....	5
	Overview of Powerhead Controls.....	5
	Travel Limits.....	
	Closing Garage Door (DOWN Limit) .....	6
	Opening Garage Door (UP Limit).....	7
	Force Control .....	8
	Contact Reverse Test.....	8
	Contact Reverse Adjustment.....	8
	Remote Control Programming .....	9
<b>4</b>	<b>Optional Programming</b>	
	Programming Keypad.....	10-11
	Programming Vehicle Remotes.....	12
	Clearing Memory for Remotes .....	13
<b>5</b>	<b>Maintenance and Adjustments</b>	
	Important Safety Instructions.....	14
	Regular Maintenance .....	15
	Remote Battery Replacement.....	15
	Light Bulb Replacement .....	16
	Chain/Belt Tension .....	16
	Carriage Adjustment for Release .....	17
	Adjustment Guides.....	17
	Locating Safe-T-Beam® Pairs .....	18
<b>6</b>	<b>Wiring Diagram</b> .....	18
<b>7</b>	<b>Troubleshooting</b> .....	19-20
<b>8</b>	<b>Genie Battery Backup Installation</b> .....	21
<b>9</b>	<b>Warranty</b> .....	22

# 1

# Safety Information

## OVERVIEW OF POTENTIAL HAZARDS READ THIS SAFETY INFORMATION

Garage doors are large, heavy objects that move with the help of springs under high tension and electric motors. Since moving objects, springs under tension, and electric motors can cause injuries, your safety and the safety of others depend on you reading the information in this manual. If you have questions or do not understand the information presented, call your nearest trained door system technician or visit our website at [www.GenieCompany.com](http://www.GenieCompany.com).

### CONVENTIONS USED IN THESE INSTRUCTIONS

The following safety alert symbol and signal words are used throughout this manual to call attention to and identify different levels of hazards and special instructions.

This is the safety alert symbol. This symbol alerts you to potential hazards that can kill or hurt you and others. All safety messages will follow the safety alert symbol and the word "DANGER", "WARNING", or "CAUTION".



- **DANGER** indicates an imminently hazardous situation which, if NOT avoided, will result in death or serious injury.
- **WARNING** indicates a potentially hazardous situation which, if NOT avoided, could result in death or serious injury.
- **CAUTION** indicates a potentially hazardous situation which, if NOT avoided, may result in injury or property damage.
- The word **NOTE** is used to indicate important steps to be followed or important considerations.

Tous les messages concernant la sécurité seront indiqués après un symbole d'alerte de la sécurité et l'une des mentions suivantes "DANGER", "AVERTISSEMENT" ou "MISE EN GARDE".



- **DANGER** signale une situation dangereuse imminente qui, si elle n'est pas évitée, risque d'entraîner des blessures graves, voire mortelles.
- **AVERTISSEMENT** signale une situation potentiellement dangereuse qui, si elle n'est pas évitée, risque d'entraîner la mort ou des blessures graves.
- **MISE EN GARDE** signale une situation potentiellement dangereuse qui, si elle n'est pas évitée, risque d'entraîner des blessures ou des dommages matériels.
- Le terme **REMARQUE** est utilisé pour signaler les étapes importantes à suivre ou d'importants éléments à prendre en considération.

## IMPORTANT SAFETY INSTRUCTIONS

POTENTIAL HAZARD	EFFECT	PREVENTION
<b>MOVING DOOR</b> 	<b>WARNING</b> Could result in Serious Injury or Death	Do Not operate unless the doorway is in sight and free of obstructions. Keep people clear of opening while door is moving. Do Not allow children to play with the door operator. Do Not operate a door that jams or one that has a broken spring.
<b>ELECTRICAL SHOCK</b> 	<b>WARNING</b> Could cause Serious Injury or Death	Turn off electrical power before removing operator cover. When replacing the cover, make sure wires are not pinched or near moving parts. Operator must be electrically grounded.
<b>HIGH SPRING TENSION</b> 	<b>WARNING</b> Could cause Serious Injury or Death	Do Not try to remove, repair or adjust springs or anything to which door spring parts are fastened such as wood block, steel brackets, cables or any other structure or like item. Repairs and adjustments must be made by a trained service representative using proper tools and instructions.

## IMPORTANTES CONSIGNES DE SÉCURITÉ

DANGER POTENTIEL	EFFET	PRÉVENTION
<b>PORTE EN MOUVEMENT</b> 	<b>AVERTISSEMENT</b> Pourrait entraîner des blessures graves voire la mort	Utiliser uniquement si la porte est en vue et libre de tout obstacle. Ne laisser personne se tenir dans l'ouverture de la porte pendant qu'elle est en mouvement. Ne pas permettre aux enfants de jouer avec l'opérateur de la porte. Ne pas faire fonctionner une porte qui bloque ou dont le ressort est cassé.
<b>CHOC ÉLECTRIQUE</b> 	<b>AVERTISSEMENT</b> Pourrait entraîner des blessures graves voire la mort	Couper le courant avant d'enlever le couvercle de l'opérateur. Lorsque le couvercle doit être remplacé, s'assurer que les fils ne sont ni coincés ni près des pièces mobiles. L'opérateur doit être correctement mis à la terre.
<b>TENSION ÉLEVÉE RESSORT</b> 	<b>AVERTISSEMENT</b> Pourrait entraîner des blessures graves voire la mort	Ne pas essayer d'enlever, réparer ni ajuster les ressorts ou toute autre pièce à laquelle le ressort de la porte est attaché, y compris blocs de bois, supports en acier, câbles ou autres articles semblables. Les réparations et les réglages doivent être effectués par technicien qualifié qui se sert d'outils appropriés et qui respecte les instructions.

# 1

## Safety Information

### IMPORTANT INSTALLATION INSTRUCTIONS



## WARNING

### TO REDUCE THE RISK OF SEVERE INJURY OR DEATH

READ AND FOLLOW ALL SAFETY, INSTALLATION AND OPERATION INSTRUCTIONS. If you have any questions or do not understand an instruction, call The Genie Company.

- **DO NOT** install operator on an improperly balanced door. An improperly balanced door could cause severe injury. Repairs and adjustments to cables, spring assembly and other hardware must be made by a trained service person using proper tools and instructions.
- Remove all ropes, and disable all locks connected to the door before installing operator.
- Where possible, install the door opener 7 feet or more above the floor. For products having an emergency release, mount the emergency release within reach, but at least 6 feet above the floor and avoiding contact with vehicles to avoid accidental release.
- **DO NOT** connect the operator to the source of power until instructed to do so.
- Locate the wall control button: A) Within sight of door. B) At a minimum height of 5 feet, so small children cannot reach it. C) Away from all moving parts of the door.
- Install the entrapment WARNING label next to the wall button or console, in a prominent location. Install the emergency release handle on the emergency release cord.
- The operator must reverse when the door contacts a 1-1/2 inch high object on the floor at the center of the doorway. This is about the size of a 2" x 4" board laid flat.

### IMPORTANTES INSTRUCTIONS D'INSTALLATION



## AVERTISSEMENT

### POUR RÉDUIRE LES RISQUES DE BLESSURES GRAVES VOIRE MORTELLES

LIRE ET SUIVRE ATTENTIVEMENT TOUTES LES INSTRUCTIONS D'INSTALLATION ET DE FONCTIONNEMENT AINSI QUE TOUTES LES CONSIGNES DE SÉCURITÉ. Si vous avez des questions ou si vous ne comprenez pas une instruction, veuillez contacter directement The Genie Company.

- **NE PAS** installer l'opérateur sur une porte mal équilibrée. Celle-ci pourrait entraîner de graves blessures. Les réparations et les réglages des câbles, ensembles de ressort ou tout autre article de quincaillerie doivent être effectués par un professionnel qui se sert d'outils appropriés et qui respecte les instructions.
- Enlever toutes les cordes et désactiver toutes les verrous de la porte avant l'installer l'opérateur.
- Dans la mesure du possible, installer l'ouvre-porte à 2,1 m ou plus au-dessus du sol. Pour les produits dotés d'un cordon de déclenchement d'urgence, installer le déclenchement d'urgence mais au moins à 1,8 m au-dessus du sol en évitant tout contact avec les véhicules pour éviter qu'ils ne soient déclenchés accidentellement.
- **NE PAS** connecter l'opérateur à la source d'alimentation tant que l'instruction n'est pas donnée.
- Repérer la console murale: A) En vue de la porte. B) À une hauteur minimale de 1,5 m afin que les jeunes enfants ne puissent pas l'atteindre. C) Loin de toutes pièces mobiles de la porte du garage.
- Placer l'étiquette d'AVERTISSEMENT en cas de coinçage à proximité du bouton mural ou de la console de manière à ce qu'elle soit bien en évidence. Installer la poignée du cordon de déclenchement d'urgence.
- L'opérateur doit s'inverser lorsque la porte entre en contact avec un objet d'une hauteur de 3,8 cm placé sur le sol, au centre de l'ouverture de la porte. Ceci équivaut environ à une planche de 5 x 10 cm posée à plat sur le sol.

## ⚠ WARNING

Operator is equipped with grounded electrical plug for your protection, and **only fits grounded electrical outlets**. **DO NOT** alter plug in any way! **If your have no grounded outlets, have one installed by a licensed electrician.**

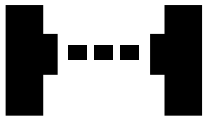
Operator must be properly grounded to prevent personal injury and equipment damage. **NEVER USE AN EXTENSION CORD!** Check local building codes for any requirement that you must have a permanent hard-wired connection. Permanent hard-wired connections must be performed by a licensed electrician using proper tools and instructions.

## ⚠ AVERTISSEMENT

L'opérateur, qui est équipé d'une prise électrique mise à la terre pour votre protection **est compatible uniquement avec des prises électriques mises à la terre**. **NE PAS** modifier la fiche d'une quelconque manière. Si vous n'avez pas de prises mises à la terre, faites-en installer par un électricien agréé. L'opérateur doit être correctement mis à la terre pour éviter les blessures corporelles et des dommages matériels. **NE JAMAIS UTILISER DE RALLONGE!** Vérifiez les codes locaux des bâtiments pour connexions câblées permanentes. Les connexions câblées permanentes doivent être effectuées par un électricien agréé qui se servira d'outils appropriés et respectera les consignes.

Begin here **ONLY AFTER** completing assembly and installation of the opener. Review the **Assembly and Installation Poster** to ensure all steps have been performed. Visit [www.GenieCompany.com](http://www.GenieCompany.com) to download a printable file.

## SAFETY FEATURES



### Safe-T-Beam® (STB) Non-Contact Reversing System

Puts an invisible beam across the door opening. The door stops and reverses to the full open position if anything passes through the beam. LED indicator lights on the powerhead and on the STBs provide self-diagnostics if an operational problem exists.

### Safe-T-Reverse® Contact Reversing System

Automatically stops and reverses a closing door within two seconds of contact with an object.

### Door Detect™ Monitoring System

Monitors the Safe-T-Beam® system to ensure proper functionality and will automatically stop and reverse a closing door if a problem is detected.



### Manual Emergency Release

Manually releases door from door opener. Used during a power failure or other emergency to allow manual opening and closing of door.



### SmartSet® Electronic Programming

Easily adjust the programming to set limits and program new remotes.



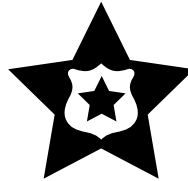
### Automatic Lighting System

Single or Dual Bulb lighting system supplies light for safer evening exits and entries. Turn ON when door is activated and automatically turns OFF 4 minutes later.

#### Safe-T-Beam® (STB) FUNCTION

1. The Safe-T-Beam® has no effect on the door during an opening cycle.
2. If the Safe-T-Beam® detects an obstruction when trying to close the door, it will not allow the door to close.
3. When the garage door is closing, if Safe-T-Beam® is interrupted by a person or obstacle, the garage door will stop its downward travel and reverse automatically to its fully opened position.
4. If the Safe-T-Beam® System fails, loses power, or is installed improperly, press and hold the wall console "open/close" button until the door reaches its fully closed position. If you release the "open/close" button on the wall console during the closing movement, the door will reverse automatically to its fully-opened position.

## OPENER FEATURES



### Intellicode®

An encryption system that enhances the security of the door opener by continuously changing the access code each time the remote is used. The door opener responds to each new code only once. An access code copied from a working system and tried again, will not control the door opener.



### Wall Console (With selected models)

Operates door opener from inside garage. The wall console has an indicator light with: Open/Close, Sure-lock™, and independent light control buttons.

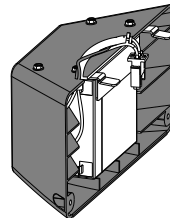
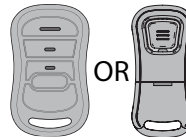


Home Link® and Car2U® compatible. See page 12 in this manual, refer to the motor vehicle manual or visit [www.GenieCompany.com](http://www.GenieCompany.com) for instructions.



### Pre-Programmed Remote Control

For ease and speed of installation, the remote included with this opener comes from the factory, pre-programmed. No additional steps are required to activate the door using the remote.



### Genie Battery Backup (BBU)

Available on some models. Provides power to opener in the event of a power failure.

**NOTE:** Genie Battery Backup will only operate after operator installation is completed and Travel Limits have been set.

**NOTE:** Use this manual **ONLY** after completing assembly and installation of the opener. Review the Assembly and Installation Instructions poster. Check that all steps have been completed.

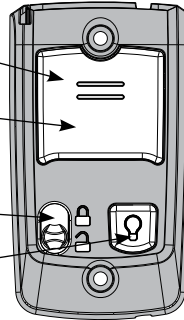
# Wall Control Features

**One of the following wall controls will be included.**

**NOTE:** Wall consoles from other manufactures may not work with this new opener. Use only the wall control provided with this unit. See warning.

## SERIES II WALL CONSOLE

<p><b>Open/Close Button</b> Opens and closes door from inside garage.</p>
<p><b>Indicator Light</b> -Red indicator backlight is ON. -When Sure-Lock™ in ON, indicator is off.</p>
<p><b>Sure-Lock™ Button</b> -LOCK disables controls after door is completely closed. -UNLOCK allows controls to work normally.</p>
<p><b>Independent Light Control Button</b> Controls door opener lights from inside garage.</p>



## CONSOLE FEATURES

### Indicator Light

Large white button will display Red when wall console is properly wired and Sure-Lock™ is OFF. When Sure-Lock™ is ON, this light is off.

### Open/Close Button

Use this button to open or close garage door. When Sure-Lock™ is ON the Open/Close button will CLOSE the door only.

**NOTE:** Constant button pressure in the CLOSE direction will override STB fault in the powerhead and close door.

### Independent Light Control Button

Use this button to turn the powerhead lights ON. Powerhead lighting will remain ON until this button is pressed again or a door action has been completed.

### Sure-Lock™ Button

When Sure-Lock™ is ON, and the door is closed, the powerhead cannot be activated by the wall console or a remote.

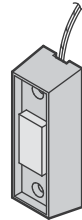
- Slide switch up to activate Sure-Lock™ (red light goes off).
- Slide switch down to turn Sure-Lock™ OFF (red light goes on).

## WALL BUTTON

This is a lighted wall button. Press once to move the door.

If the button is not lighted, check:

- White wire connected to terminal "W"
- Striped wire connected to terminal "B"



## ⚠ WARNING

Use of any other wall control can cause unexpected operation of the door and loss of lighting feature. Locate wall console within sight of door but far enough from door to prevent contacting it while operating the console. Control must be at least 5 feet above the floor to prevent small children from operating it.

## ⚠ AVERTISSEMENT

l'utilisation d'une autre commande murale pourrait des résultats in attendus de la porte ainsi que le dysfonctionnement de l'éclairage. Localisez la console murale en vue de la porte et suffisamment loin de la porte pour éviter tout contact pendant l'utilisation de la console. La commande doit être à une hauteur minimale de 1,5 m au-dessus du sol afin que les jeunes enfants ne puissent pas l'attendre.

# Programming Overview

**NOTE:** Before programming the operator, check to make sure there are no objects in the garage door opening.

## INTRODUCTION

Now that the Genie® garage door opener is installed, follow the steps in this manual to program the opener so that the door opens and closes properly and all remote devices operate correctly. The following steps are a guide to setting opener so it functions properly.

The following steps list the order of programming the opener's functional settings for use.

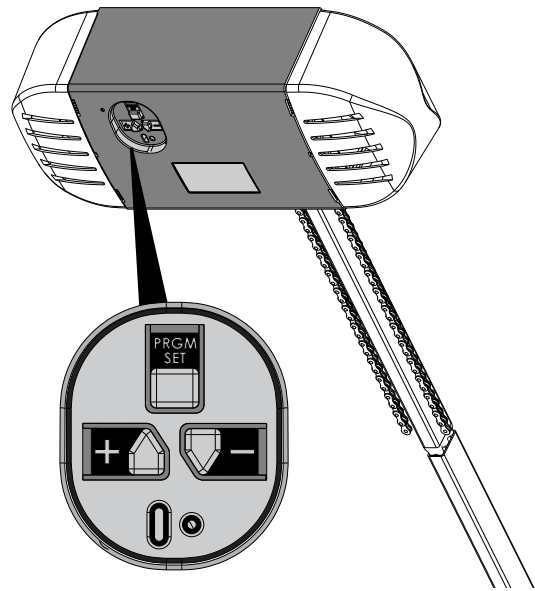
1. "TRAVEL LIMITS"
2. "FORCE CONTROL"
3. "REMOTE PROGRAMMING"

### Term Definitions:

**Travel Limits** Programmable setting to adjust how far door travels up or down.

**Force Control** refers to how much power is needed to move (open/close) a particular door and does NOT require programming.

**Remote Programming** synchronizes remote devices (remote, wall console, and keypad) with the powerhead.



## OVERVIEW OF POWERHEAD CONTROLS

This section describes the programming functions of the opener. Use the following information to understand the buttons and LED indicators used to program functions.

**Powerhead:** There are 3 programming buttons and 2 LED lights on the powerhead. Each of the buttons are used to enter and complete the setup programming. The LED lights indicate status or a function change by illuminating ON, OFF, or ON FLASHING.

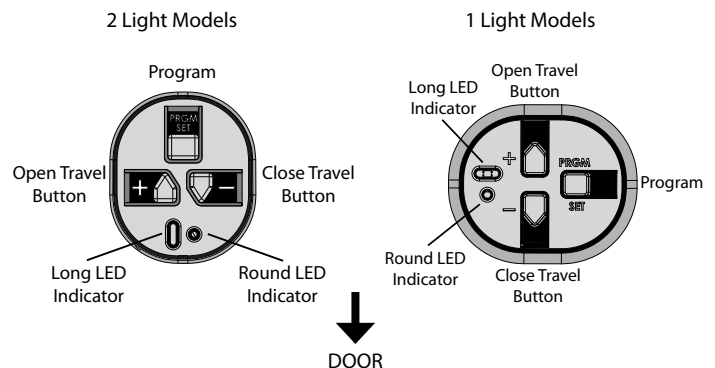
### There are 3 programs:

1. Door Travel Limits.  
This program is used to set how far the door travels up and down.
2. Force Setting Program.  
This program controls the force applied during the closing and opening of the door. They are factory set and will rarely require adjustment.
3. Remote Programs (default menu)—only required for added remote control transmitters.  
Describes how to program remotes to sync with additional remote control devices, wall consoles, keypads and the powerhead.

**NOTE:** The 3 programming buttons are for programming ONLY. These buttons can NOT be used to operate the opener once the Required Programming section has been successfully completed.

## ORIENTATION

Standing under the opener's powerhead – facing the door – looking up – this is the view you will see of the programming buttons and LEDs.



Enters into and selects programming menus.



Moves door up or down during programming and advances through menus.

**NOTE:** Each programming step has a 30 second time limit for completion after the function is initiated. After 30 seconds, two LED's will illuminate RED indicating time has expired and the step must be re-started. Restart the step as many times as necessary to complete the programming.

- Just remember—the pointed end of the button (like an arrowhead) points in the direction the carriage will move when that button is pushed.

## TRAVEL LIMITS

### ⚠ WARNING

- Make sure doorway is in full view and clear of obstacles and people to avoid injury or property damage.
- DO NOT operate this unit from the wall control before LIMITS are set. Severe damage to the opener could occur.
- The carriage MUST be engaged to turnbuckle BEFORE setting limits. See installation poster (if provided) or call Customer Service at 1-800-35-GENIE or visit [www.GenieCompany.com](http://www.GenieCompany.com).
- DO NOT set limits with Battery Backup attached. AC power MUST be connected to the opener while setting limits for proper operation.

**NOTE:** If turnbuckle has NOT been engaged to carriage, do so now.

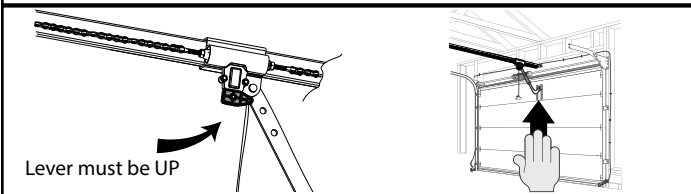
**Before setting limits:** Confirm wall console red indicator back light is ON. If not illuminated, See page 19 for troubleshooting.

**Check STB LED's:** Confirm both LED's are illuminated solid. If not illuminated solid, see page 18 for troubleshooting.

### Closing Garage Door (Down Limit)

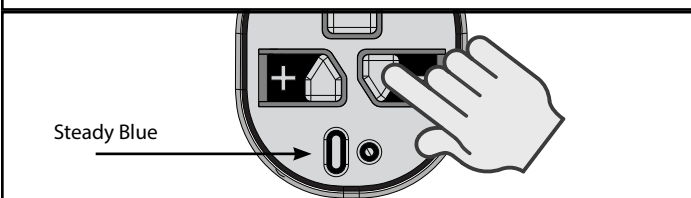
**NOTE:** Beginning with garage door in mid travel is recommended but not necessary.

1. Lift door by hand until carriage engages the turnbuckle on the chain/belt.

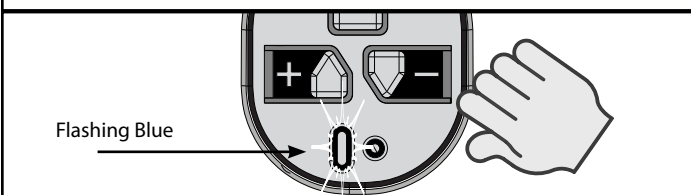


### READ AND UNDERSTAND STEPS 2-5 BEFORE PROCEEDING

2. Press and hold the down arrow button (-) for two seconds or until the long LED comes on blue. (The round LED stays off.)



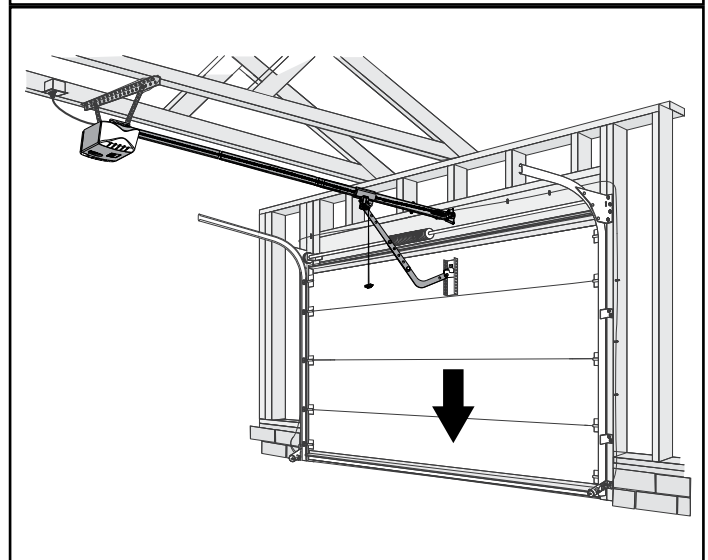
3. Release down arrow button (-) and the long LED will begin flashing blue. (Round LED still off.)



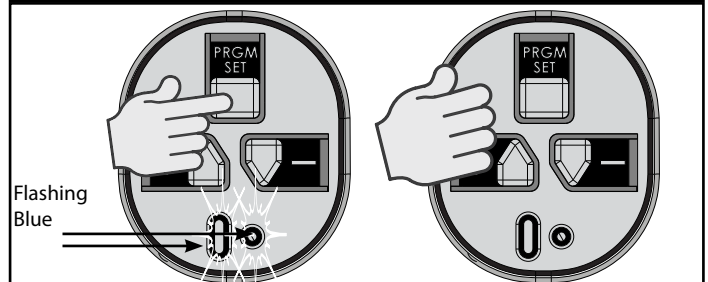
### ⚠ AVERTISSEMENT

- S'assurer que le passage de la porte est visible et dégagé, à savoir sans obstacles ni personne afin d'éviter toute blessure potentielle ou dommage matériel.
- NE PAS utiliser cette unité avec la console murale avant d'avoir réglé les LIMITES. L'ouvre-porte pourrait subir de sérieux dommages.
- La tendeur DOIT être engagée dans le chariot AVANT de régler les limites. Voir le poster d'installation (si fourni) ou appelez le service clientèle au 1-800-35-GENIE ou visitez le site [www.GenieCompany.com](http://www.GenieCompany.com).
- NE PAS fixer de limites en mode batterie de secours. L'alimentation CA DOIT être branchée sur l'ouvre-porte, pendant le réglage des limites, pour assurer un bon fonctionnement.

4. Press and hold the down arrow button (-) to begin closing the garage door. When the garage door is fully closed, release the down button (-). If it has gone too far press and release the up button (+) to move the door up slightly. The door can be moved up or down with the arrow buttons. The door should rest tightly on the floor.



5. Press and release the program/set button—both LEDs flash blue and then go off.  
**The DOWN (CLOSED) TRAVEL LIMIT IS NOW PROGRAMMED.**





# 3

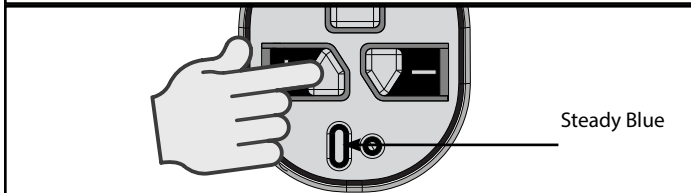
## Programming Information

### Opening Garage Door (Up Limit)

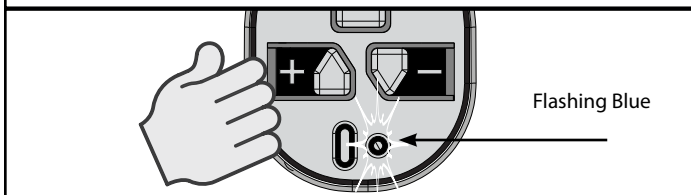
**NOTE:** Beginning with garage door closed is recommended but not necessary.

**READ AND UNDERSTAND STEPS 6-9 BEFORE PROCEEDING**

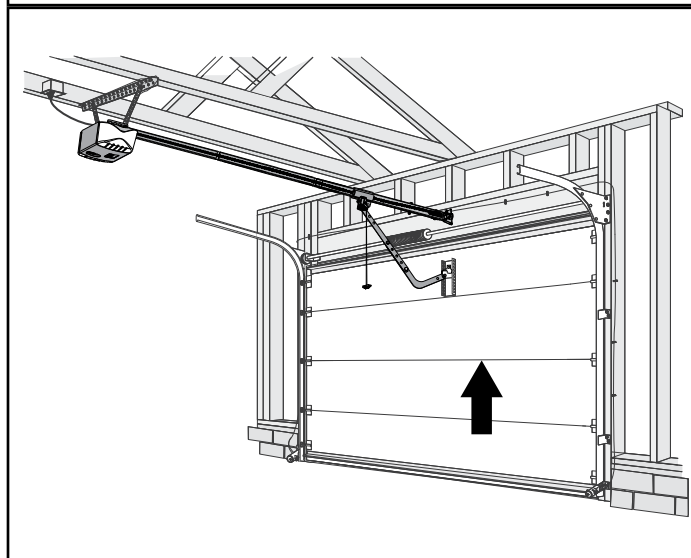
6. Press and hold the UP arrow button (+) for two seconds or until the long LED comes on blue. (The round LED stays off.)



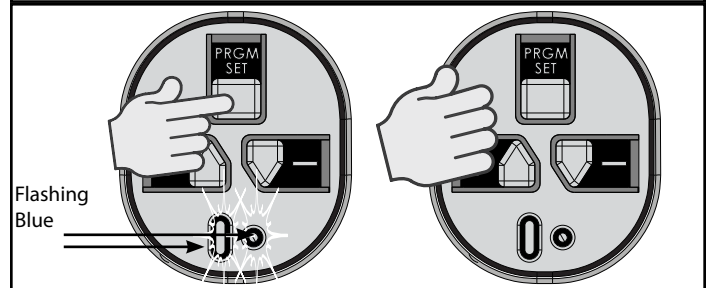
7. Release UP arrow button (+) and the round LED will begin flashing blue. (the long LED will go off).



8. Press and hold the up arrow button (+) to begin opening the garage door. When the garage door is fully opened, release the up button (+). If it has gone too far press and release the down button (-) to move the door down slightly. The door can be moved up or down with the arrow buttons. Stop the carriage short of the opener powerhead. It is important for the red cord to be clear of the powerhead to allow for manual door operation.



9. Press and release the program/set button—both LEDs flash blue and then go off.  
**The UP (OPEN) TRAVEL LIMIT IS NOW PROGRAMMED.**



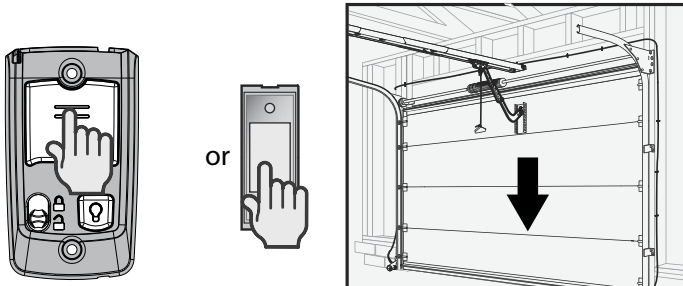
# 3

## Wall Control Operation

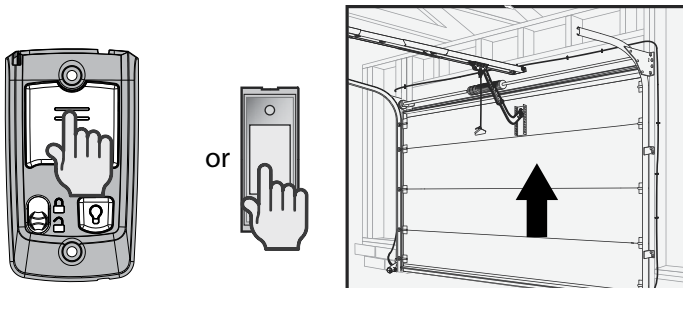
### Force Control

The force controls are automatically set when the wall control is used for the first time with garage door opener. The door **MUST** complete one full cycle, from full open to full close and then, full close to full open, before the settings are automatically recorded.

**10.** Press and release the wall console Open/Close button and allow the garage door to travel and stop at the down (closed) limit.



**11.** Press and release the wall console Open/Close button and allow your garage door to travel and stop at the up (open) limit.



**NOTE:** Force controls **DO NOT** require programming. Force limits are factory set and rarely require adjustments. Making adjustments to these settings is covered in the "Maintenance and Adjustments" Section of this Manual (pages 14-18). **FORCE CONTROL IS NOW SET.**

### ⚠ WARNING

#### TO AVOID INJURY OR DAMAGE

- **NEVER** adjust the force settings to adjust for damage, including an unbalanced door, binding door track or broken spring.
- Perform a CONTACT REVERSE TEST monthly. See page 8.

### ⚠ AVERTISSEMENT

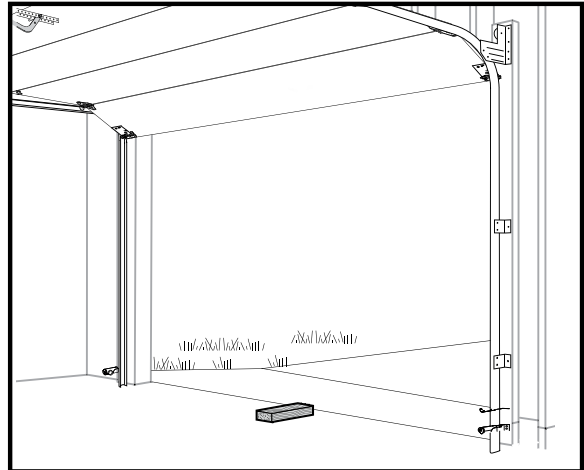
#### Pour éviter les blessures ou des dommages

- **NE JAMAIS** régler la force pour compenser des dommages, y compris une porte mal équilibrée, un rail de porte coincant ou des ressorts cassés.
- Tous les mois, EFFECTUEZ LE TEST D'INVERSION AU CONTACT. Voir page 8.

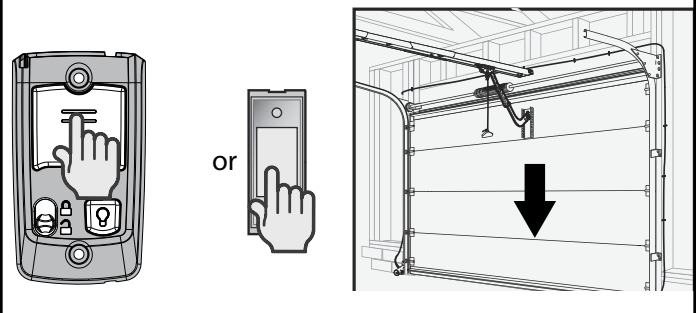
### Contact Reverse Test

**NOTE:** The limit and Force settings **MUST BE COMPLETED** before performing the Contact Reverse Test.

**12.** With the garage door open, lay a 2" x 4" board flat on the floor at the center of the door opening.



**13.** Close the garage door using the Open/Close button on the wall control.



When the door contacts the board, it should stop and reverse direction within 2 seconds to the fully open position. Long LED light on the powerhead will begin to flash RED with the reversal of the door. Remove the 2" x 4" board after a successful contact reversal test. The next cycle will clear the flashing red LEDs.

### Contact Reverse Adjustment

If the door stops before contacting the board or if it does not reverse direction to fully open after contact with the board, it may be due to an improperly set DOWN limit. Verify settings by:

1. Repeat the "Down Travel Limit" section (page 6) to make certain the door is closing tight against the floor.
2. Repeat the "Force Control" section on the left to set force limits.
3. Repeat the "Contact Reverse Test" above.

Repeat this process as needed until the door passes the Contact Reverse Test. For further help, refer to the "Maintenance and Adjustment" section/Regular Maintenance. (Pages 14-18).

# Remote Control Programming

## REMOTES

**NOTE:** THE REMOTE CONTROLS INCLUDED WITH THIS OPENER, HAVE BEEN PRE-PROGRAMMED AT THE FACTORY FOR YOUR CONVENIENCE.

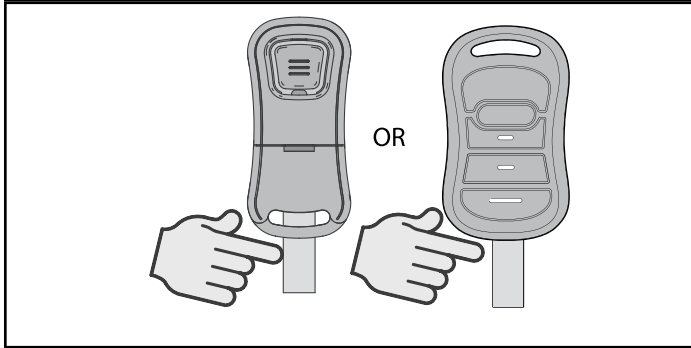
**NOTE:** The following instructions are for remote control transmitters purchased separately in addition to those provided with this opener, but can also be used if any remote(s) may require re-programming.

**NOTE:** Each programming step has a 30 second time limit for completion after the function is initiated. After 30 seconds, two LED's will illuminate RED indicating time has expired and the step must be re-started. Restart the step as many times as necessary to complete the programming.

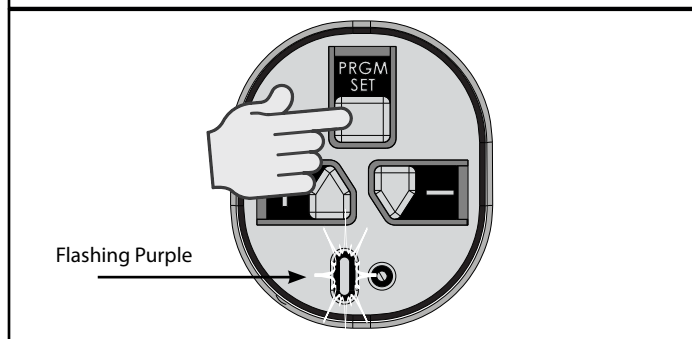
**NOTE:** Do NOT hold Remote too close to the Powerhead when programming Remote buttons.

**NOTE:** Each button on each Remote must be programmed separately, following these steps.

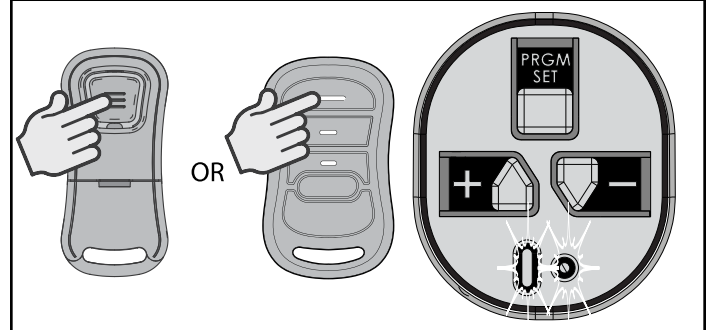
1. Remove the battery's protective film from the remote by pulling it straight out.



2. Press and hold the program button on the opener for two seconds until the round LED turns blue, then release. The long purple LED will flash.

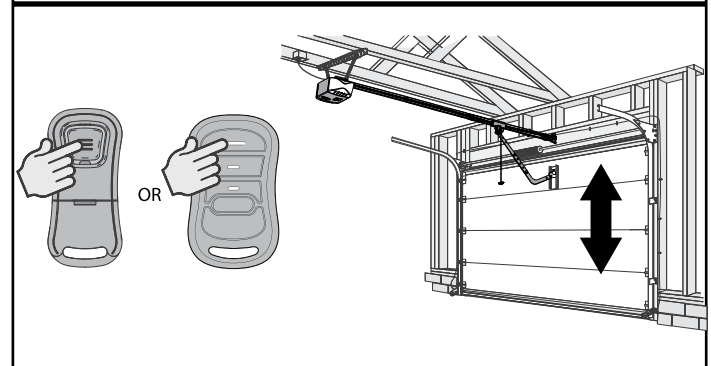


3. Slowly press and release the remote button two times. The opener LEDs will flash and go off, indicating it has been successfully programmed to the remote.



**NOTE:** While programming remote buttons, stand at least 5 feet away from the powerhead. This ensures you have proper communication between the remote and the powerhead.

4. Press and release the same button a third time and door will open or close.



To program the same remote for other garage door openers, repeat the steps above using one of the other remaining remote buttons.

### REPEAT STEPS 1 TO 4 FOR EACH OPENER AND REMOTE

**NOTE:** It is possible to press the remote button too quickly or lightly. If the LEDs do not go off, press the remote button several more times to achieve confirmation.

**BASIC PROGRAMMING IS COMPLETE AND YOUR GARAGE DOOR OPENER IS READY TO USE.**

### FCC and IC Certified

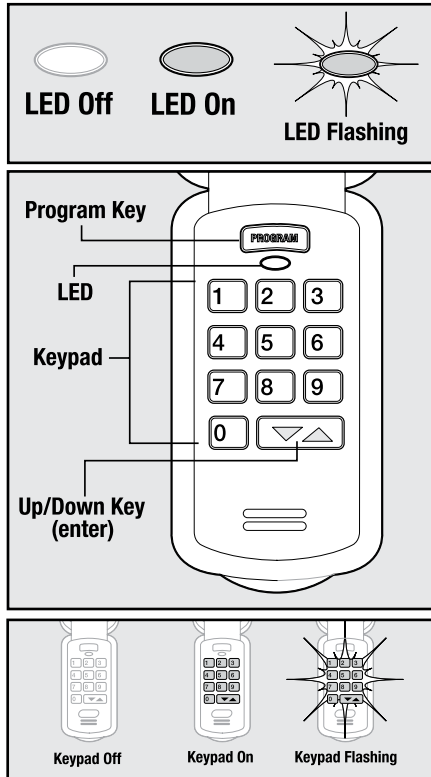
This device complies with FCC Part 15 and Industry Canada license exempt RSS standard(s). Operation is subject to the following two conditions: (1) this device may not cause interference, and (2) this device must accept any interference, including interference that may cause undesired operation of the device. This equipment generates, uses and can radiate radio frequency energy and, if not installed and used in accordance with the instructions, may cause harmful interference to radio communications. However, there is no guarantee that interference will not occur in a particular situation. If this equipment does cause harmful interference to radio or television reception, which may be determined by turning equipment OFF and ON, the user is encouraged to try and correct the interference by one or more of the following measures: (a) Re-orient or relocate the receiver antenna, (b) Increase the separation between the opener and receiver, (c) Connect the opener into an outlet on a circuit different from that which the receiver is connected, and (d) Consult your local dealer. Any modification or changes to this equipment which is not expressly approved by the manufacturer could void the user's authority to operate the equipment. This device complies with the Health Canada's Safety Code. The installer of this device should ensure that the RF radiation is not emitted in excess of the Health Canada's requirement. Information can be acquired at: <http://www.hc-sc.gc.ca/ewh-semt/radiation/cons/wifi/index-eng.php>

# Programming Wireless Keypad

(Optional on some models)

**Tip: Program Keypad before mounting.**

## Keypad Overview:



OPEN BATTERY COVER AND PULL TAB TO ALLOW OPERATION

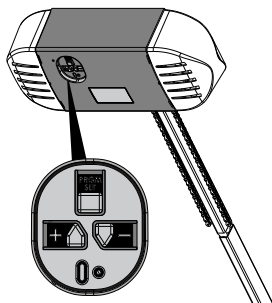
### Setting the PIN for the First Time:

1. Press in order the numbers **3** - **5** - **7**
2. Press the **PROGRAM** key
3. Type a new PIN (3-8 digits)
4. Press the **PROGRAM** key again

The keypad is ready to program to an opener.  
For use on a Single Door, continue to **Synchronizing Keypad to Door**.

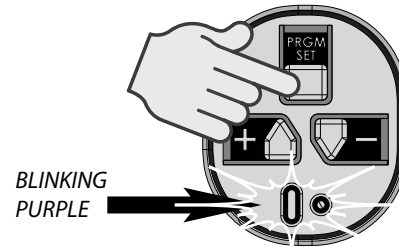
**NOTE:** If the keypad lights do not flash and go OFF after setting PIN, clear the keypad and repeat Step 1; see page 11 for Resetting a PIN.

### Locate the Opener's Programming Buttons and LED:



## Synchronizing Keypad to Door:

1. Press **PROGRAM SET** button two seconds until the round LED turns blue, then release. The long purple LED will blink.



2. Key in the new PIN on the keypad.
3. Press Up/Down key and opener LEDs will stay on steady.
4. Press Up/Down key again and opener LEDs turn off.
5. Press Up/Down key a third time and opener runs.

**The process of programming ONE keypad to ONE opener is complete.**

## Multiple Door Section:

1. Key in the new PIN on the keypad. (3-8 digits).
2. Press the **PROGRAM** key two times.
3. Enter how many total doors the keypad will control (press 2 or 3 accordingly).
4. Press the **PROGRAM** key.  
The keypad is now programmed to receive multiple opener signals.
5. Locate the opener's programming buttons and LED.  
Press **PROGRAM SET** button two seconds until the round LED turns blue; then release. The long purple LED will flash.
6. Type the new PIN (3-8 digits).
7. Press the Up/Down key one time.
8. Assign a number to the door that the keypad will operate by pressing 1-2 or 3.
9. Press that door number a second time.
10. Press that same door number a third time and the door will operate.

Wait 30 seconds for the keypad to go dark and then start with step 5 for the additional door/keypad combination as needed.

To add another opener to a keypad that is already programmed to an opener, follow all the steps in the "Multiple Door Section".

Please note at Step 8, that the keypad assumes the original opener programmed to the keypad is opener #1.

Keypads can accept up to three openers.

# Programming Wireless Keypad

(Continued)

## Door Operation with Wireless Keypad:

To open and close a single door with the Keyless Entry Pad, enter the PIN number and press Up/Down Key (enter).

For multiple doors enter the PIN number, press the UP/Down Key once and enter the door number (1,2 or 3).

**NOTE:** *The Keyless Entry Pad will stay active for 30 seconds and will stop or start the door with each touch of any button on the keypad.*

## Changing an Existing PIN:

1. Enter the current PIN
2. Press the Program key one time
3. Key in the new PIN (3-8 digits)
4. Press the Program key one time

**NOTE:** *Unlike "Resetting PIN," there is no need to reprogram your opener after changing the PIN.*

## Resetting a PIN:

Press and hold both the **PROGRAM** key and the Up/Down key for about five seconds.

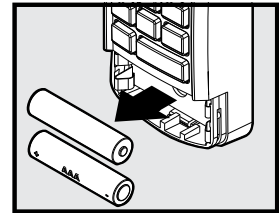
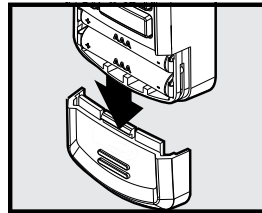
The LED's will slowly blink and then go out. When the LED stops blinking, the old programming has been successfully erased.

To create a new PIN, start with "Setting the PIN for the First Time"

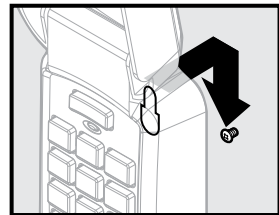
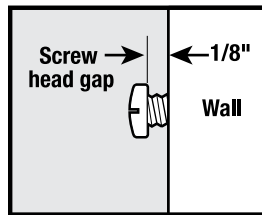
## Mounting Keypad

The keypad **MUST** be mounted within sight of the garage door(s) at least five feet above the floor and clear of any moving door part.

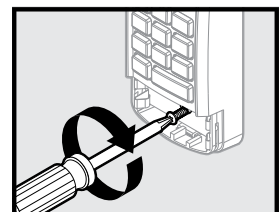
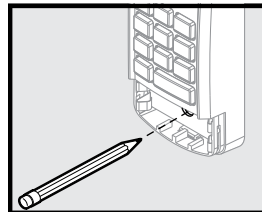
1. Remove battery cover and batteries.
2. Drill 3/32" pilot hole for the top mounting screw (included).



3. Install a screw into the pilot hole, leaving a 1/8" gap between the screw head and wall.
4. Hook the slotted mount, on back of keypad, over the screw.



5. Mark and drill a pilot hole for the bottom screw (included) and secure keypad to wall (**DO NOT** overtighten).



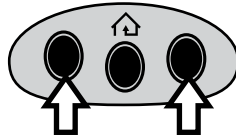
6. Reinstall batteries and cover.

# Programming Vehicle Remotes

## Programming HomeLink® System

### Step 1 Clear HomeLink

Clear HomeLink by pressing and holding down the first and third buttons until the indicator on the HomeLink blinks slow and then fast for 20 seconds; then release both buttons.



**NOTE:** Clearing the HomeLink will remove all previously programmed garage door openers.

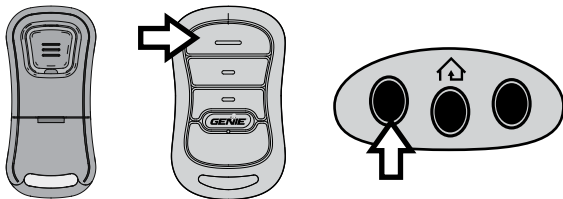
### Step 2 Train HomeLink to the Genie Remote

Choose the button on the HomeLink that will be used to open the door.

**NOTE:** Hold the Genie Remote two inches from the HomeLink button.

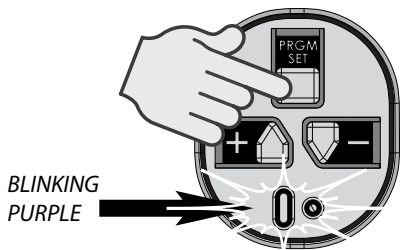
Hold down the Genie remote button. While holding, press and hold the chosen HomeLink button.

Hold down both buttons until the indicator on the HomeLink blinks slow then fast. Once it blinks, release both buttons.

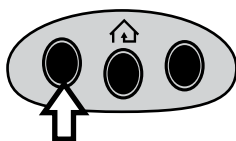


### Step 3 Program HomeLink to the Genie Opener

A. Press and hold the **PROGRAM** button on the opener until the round blue LED is ON. Release the button. The long purple LED will begin flashing.



B. Press the chosen HomeLink button for two seconds and release. Press that same button again for two seconds and release. The long LED will flash blue and then turn off.



C. Press the HomeLink button a few more times until door moves.

**NOTE:** For additional instructions, see the motor vehicle manual, [www.homelink.com](http://www.homelink.com) or visit [www.GenieCompany.com](http://www.GenieCompany.com)

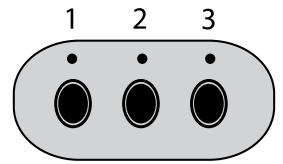
## Programming Car2U® System

### Step 1 Clear Car2U to default settings

The default setting for the Car2U system is:

- Button 1 = Genie® Manufactured Openers
- Button 2 = LiftMaster® Manufactured Openers
- Button 3 = Wayne Dalton® Manufactured Openers

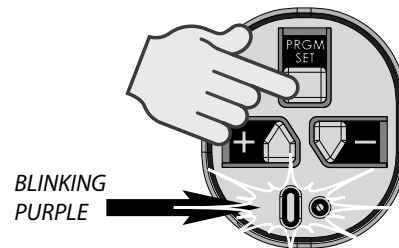
- A. Press and hold buttons 1 and 3 for 20 seconds or until all three LEDs begin to flash.
- B. Release both buttons. The Car2U system is now set to the Factory Default settings



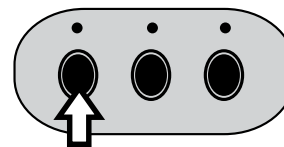
**NOTE:** Clearing the Car2U remote will remove all previously programmed garage door openers.

### Step 2 Program Car2U to the Genie Opener

- A. Press and hold the **PROGRAM** button on the opener until the round blue LED is ON—release the button. The long purple LED will begin flashing.



- B. Press the designated Genie Car2U button for two seconds and release. Press that same button again for two seconds and release. The long LED will flash blue and then turn off.



- C. Press the Car2U button a few times more until door moves.

### Step 3 Changing Factory Default Button for a Genie Opener

- A. Press and hold buttons 1 & 3 for **ONE SECOND** and release—all three LEDs will light solid red.
- B. Press and hold the button (2 or 3) to change it to Genie—the corresponding LED will flash. While continuing to hold that button, press and release button 1. Press and release button 1 again.
- C. Release the button being held in step B and wait for the LED to stop flashing. This button is now set for Genie. Repeat Step 2 for second Genie Opener.

**NOTE:** For additional instructions see the motor vehicle manual, [learcar2u.com](http://learcar2u.com) or visit [www.GenieCompany.com](http://www.GenieCompany.com)

# 4

## Clearing Remotes

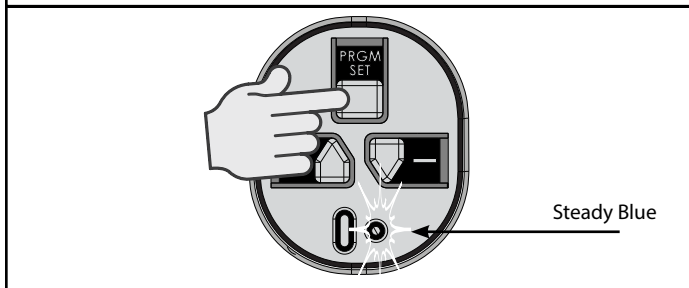
### CLEARING MEMORY OF REMOTES

**NOTE:** Clearing memory of remotes from the powerhead will clear ALL programmed remotes and wireless keypads. The opener will no longer recognize any signal from any remote device, including a missing remote device.

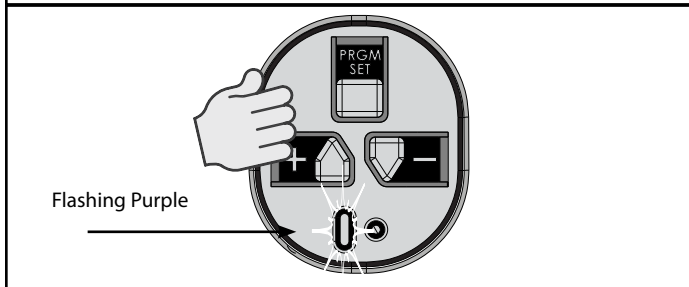
All remaining (or recovered) remotes and wireless keypads MUST be reprogrammed as shown in pages 9,10,12.

**NOTE:** The garage door opener will operate normally using the wall console.

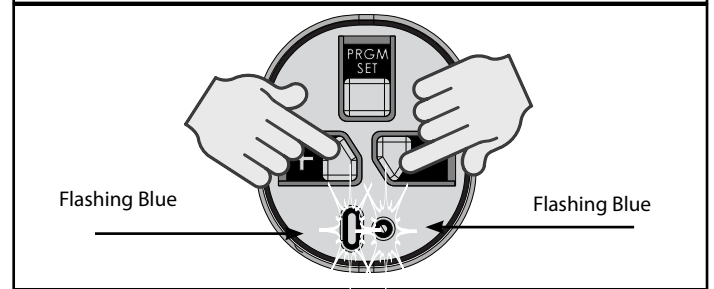
1. Press the PROGRAM/SET button on the powerhead and hold for two seconds or until the round LED turns blue.



2. Release the PROGRAM/SET button—round LED goes off and the long LED flashes purple.

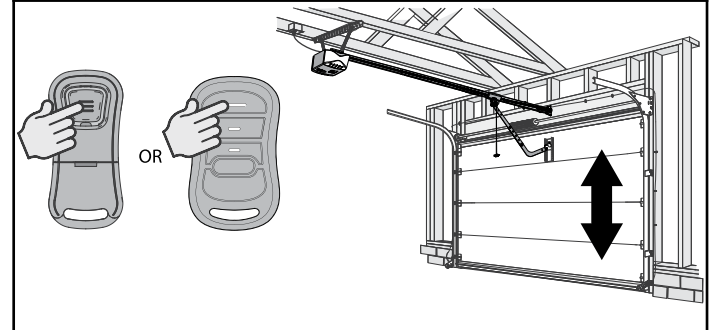


3. Press and hold the UP (+) and DOWN (-) button at the same time, until both LEDs flash blue and go off.



4. To verify that the memory is cleared, press the remote key that was previously programmed to the opener.

If the memory has been cleared the opener will NOT run.



If the remote is successfully cleared, the round powerhead LED will flash blue when the remote button is pressed and the opener will not operate.

## IMPORTANT SAFETY INSTRUCTIONS

### ⚠ WARNING

#### TO REDUCE THE RISK OF SEVERE INJURY OR DEATH, READ AND FOLLOW ALL INSTRUCTIONS.

- NEVER** let children operate or play with the door controls.
- Keep remote away from children.
- ALWAYS** keep the moving door in sight and away from people and objects until door is completely closed. **NO ONE SHOULD CROSS THE PATH OF THE MOVING DOOR.**
- NEVER** GO UNDER A STOPPED, PARTIALLY OPEN DOOR.
- Test opener monthly. The door **MUST** reverse on contact with a 1-1/2" high object (or 2" x 4" board laid flat) at the center of the doorway on the floor. After adjusting either the force or limit of travel, retest door opener. Failure to adjust the opener properly may cause severe injury or death.
- When possible, use emergency release only when door is closed. Use caution when using this release with the door open. Weak or broken springs are capable of increasing the rate of door closing and increasing the risk of severe injury or death.
- KEEP DOORS PROPERLY BALANCED.** See your garage door Owner's Manual. An improperly balanced door increases the risk of severe injury or death. Have a trained door system technician make repairs to cables, spring assemblies, and other hardware.

### SAVE THESE INSTRUCTIONS

### ⚠ WARNING

- Garage door hardware (springs, cables, brackets, pulleys, etc.) are under extreme pressure and tension.
- DO NOT** attempt to repair or adjust door springs or any hardware, and **DO NOT OPERATE** garage door automatically or manually if door is improperly balanced or springs are broken.
- CONTACT A TRAINED DOOR SYSTEM TECHNICIAN.**

### ⚠ WARNING

Operator is equipped with grounded electrical plug for your protection, and **only fits grounded electrical outlets.** **DO NOT** alter plug in any way! **If your have no grounded outlets, have one installed by a licensed electrician.**

Operator must be properly grounded to prevent personal injury and equipment damage. **NEVER USE AN EXTENSION CORD!** Check local building codes for any requirement that you must have a permanent hard-wired connection. Permanent hard-wired connections must be performed by a licensed electrician using proper tools and instructions.

### ⚠ WARNING

Use of any other wall control can cause unexpected operation of the door and loss of lighting feature. Locate wall console within sight of the door but far enough from door to prevent contacting it while operating the console. Control must be at least 5 feet above the floor to prevent small children from operating it.

## IMPORTANTES CONSIGNES DE SÉCURITÉ

### ⚠ AVERTISSEMENT

#### POUR RÉDUIRE LE RISQUE DE BLESSURES GRAVES VOIRE MORTELLES, LIRE ET COMPRENDRE TOUTES LES INSTRUCTIONS.

- NE JAMAIS** permettre aux enfants d'actionner ou de jouer avec les commandes de la porte.
- Tenir les télécommandes hors de la portée des enfants.
- TOUJOURS** garder en vue la porte en mouvement et tenir à l'écart toute personne ou objet jusqu'à ce que la porte soit totalement fermée. **PERSONNE NE DOIT TRAVERSER LA TRAJECTOIRE D'UNE PORTE EN MOUVEMENT.**
- NE JAMAIS** PASSER SOUS UNE PORTE À L'ARRÊT PARTIELLEMENT OUVERTE.
- Tester l'ouvre-porte une fois par mois. La porte de garage **DOIT** inverser sa course au contact d'un objet de 4 cm (planche de 5 sur 10 cm) posé à plat sur le sol au centre de l'ouverture de la porte. Après avoir réglé la force ou la limite de la course, retenter l'ouvre-porte de garage. Un mauvais réglage de l'ouvre-porte peut entraîner des blessures graves voire mortelles.
- Utiliser, dans la mesure du possible le déclenchement d'urgence uniquement lorsque la porte est fermée. Utiliser le déclenchement d'urgence avec prudence lorsque la porte est ouverte. Des ressorts faibles ou brisés peuvent faire descendre la porte rapidement ce qui peut entraîner des blessures graves voire mortelles.
- VEILLER À CE QUE LA PORTE SOIT CORRECTEMENT ÉQUILIBRÉE.** Consulter le manuel du propriétaire de la porte de garage. Une porte déséquilibrée pourrait entraîner de graves blessures voire mortelles. Demander à un technicien spécialisé en système de portes de se charger des réparations des câbles, des ressorts et de toute autre quincaillerie.

### CONSERVER CES INSTRUCTIONS

### ⚠ AVERTISSEMENT

- La quincaillerie de la porte de garage (ressorts, câbles, supports, poulies, etc.) sont sous des pressions et des tensions extrêmes.
- NE PAS** réparer ni régler les ressorts de la porte ou toute autre pièce de quincaillerie et **NE PAS ACTIONNER** la porte manuellement ou automatiquement si elle n'est pas correctement équilibrée ou si des ressorts sont cassés.
- CONTACTEZ UN TECHNICIEN SPÉCIALISÉ EN SYSTÈME DE PORTES**

### ⚠ AVERTISSEMENT

L'opérateur, qui est équipé d'une prise électrique mise à la terre pour votre protection **est compatible uniquement avec des prises électriques mises à la terre.** **NE PAS** modifier la fiche d'une quelconque manière. Si vous n'avez pas de prises mises à la terre, faites-en installer par un électricien agréé. L'opérateur doit être correctement mis à la terre pour éviter les blessures corporelles et des dommages matériels. **NE JAMAIS UTILISER DE RALLONGE!** Vérifiez les codes locaux des bâtiments pour connexions câblées permanente. Les connexions câblées permanentes doivent être effectuées par un électricien agréé qui se servira d'outils appropriés et respectera les consignes.

### ⚠ AVERTISSEMENT

L'utilisation d'une autre commande murale pourrait produire des résultats inattendus de la porte ainsi que le dysfonctionnement de l'éclairage. Localisez la console murale en vue de la porte et suffisamment loin de la porte pour éviter tout contact pendant l'utilisation de la console. La commande doit être à une hauteur minimale de 1,5 m au-dessus du sol afin que les jeunes enfants ne puissent pas l'atteindre.



## Regular Maintenance

Basic monthly maintenance tasks include:

- Contact Reverse Test
- Lubricate door hardware
- Safe-T-Beam® System check
- Door balance
- Remote Battery Replacement (As needed)
- Light Bulb Replacement (As needed)
- Chain/Belt Tension

### A. Contact Reverse Test

See page 8.

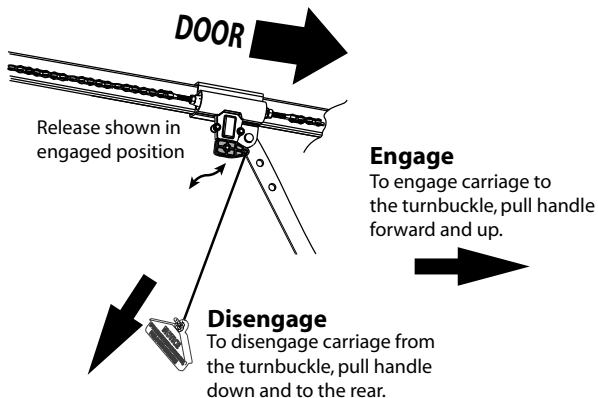
### B. Lubricate Door Hardware

Inspect door rollers and hinges and lubricate as needed using a light weight general purpose grease.

### D. Door Balance (Spring Tension)

Perform the check as follows:

- With the door closed, pull manual emergency release handle DOWN and away from door and let go to disengage the carriage from the drive chain or belt (see illustration).



### C. Safe-T-Beam® (STB) System Check

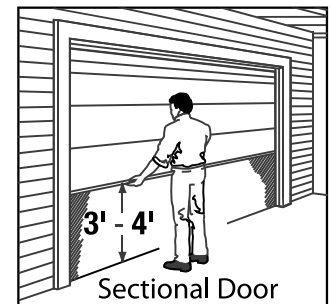
Check that both the RED and GREEN LEDs are ON steady. This indicates the system is working properly. If both LEDs are not ON steady, check the appropriate items below:

- STB red LED flashes.
  - Check for obstruction.
  - Check alignment. (See page 18)
  - Verify wire routing from STBs to STB connection in powerhead
  - Check for signal interference from another Safe-T-Beam® unit (for multiple door installations).
- No STB red or green LED displayed.
  - Check wiring and wire connections

If system appears to be working properly, perform check as follows:

1. Start the door closing.
2. Pass an object through the beam. The door should stop and reverse to the fully open position.

- Raise and lower the door manually — it should move freely and smoothly.
- Raise door manually about 3' to 4' feet and let go.



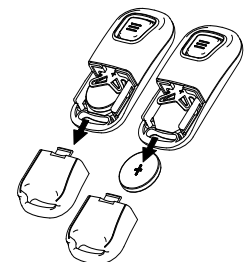
- Door should remain stationary or move very slowly.
- If door moves quickly, CONTACT A TRAINED DOOR SYSTEM TECHNICIAN to have your door springs serviced.
- Close the door.
- Place the carriage in the “engage” position (see illustration).
- Operate door using remote or wall control. The carriage will reattach itself to the drive chain/belt.

### E. Remote Battery Replacement (As needed)

#### Remote Battery Replacement (1-button)

Replace remote battery with a CR2032 coin cell battery.

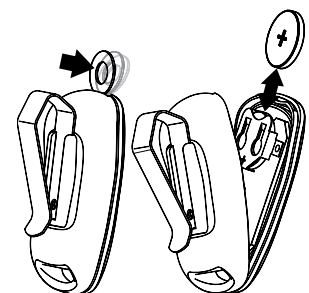
1. Slide the battery cover off (it's the lower half of the remote's case) by pressing on the case just below the indentation at the top of the cover and sliding it down. *Alternately, insert a coin or small washer into the indentation in the front of the case and pry to unlatch the battery cover in order to slide it off.*
2. Slide out the old battery and slide in the new. **Be sure positive side (+) is UP.**
3. Slide the battery cover on until it snaps into place.



#### Remote Battery Replacement (3-button)

Replace remote battery with a CR2032 coin cell battery.

1. Open remote case using a washer or coin that fits into the slot on the top of the remote.
2. Replace battery. **Be sure positive side (+) is UP.**
3. Align components and snap case closed.



# 5 Maintenance and Adjustments (continued)

## F. Light Bulb Replacement

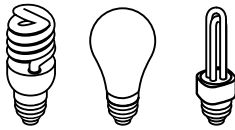
### ⚠ WARNING

- Use extreme caution when working from a ladder or step stool or serious injury can occur.
- When replacing light cover, make sure wires are not pinched or near moving parts.
- Use only properly rated incandescent, LED or CFL light bulbs.
- DO NOT use bulbs with a rating greater than 60 Watts.
- Use A19 size light bulbs. DO NOT use bulbs having a short neck.

### ⚠ AVERTISSEMENT

- Faire particulièrement attention lors de travaux effectués depuis une échelle ou en escabeau.
- En referment le couvercle de l'éclairage, s'assurer que les fils ne sont ni coincés ni près des pièces mobiles.
- Utilisez uniquement incandescence correctement classé, LED ou des ampoules fluocompactes.
- NE PAS utiliser des ampoules avec une note supérieure à 60 Watts
- Utilisez A19 ampoules de taille. NE PAS utiliser des ampoules ayant un cou court.

## Changing Light Bulbs

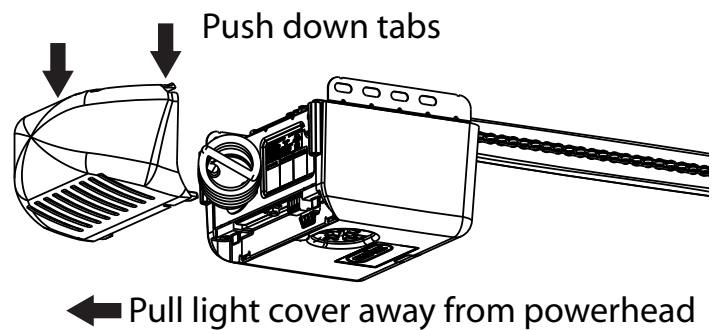


1. Disconnect power to door opener.  
Open powerhead light cover(s) by pressing down on upper locking tabs.
  - Replace old light bulb(s) with new.
  - Use 60 Watt MAX. incandescent bulbs or the CFL or LED equivalent.
  - Close powerhead light cover(s).
2. Reconnect power to door opener.
  - Test light operation.

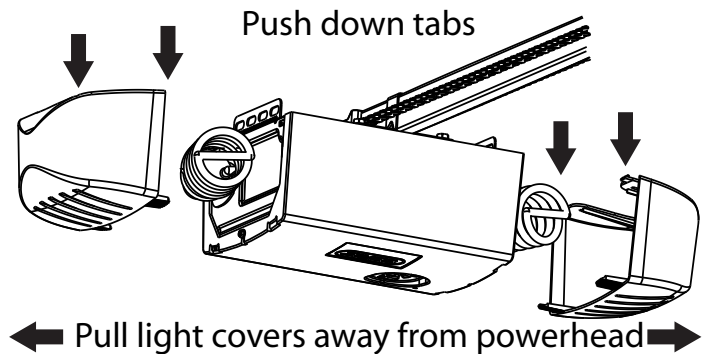
**NOTE:** Use of LED bulbs may reduce the range of your remote controls.

Visit [www.GenieCompany.com](http://www.GenieCompany.com) for more information and recommendations for LED bulbs.

## 1 Light Models



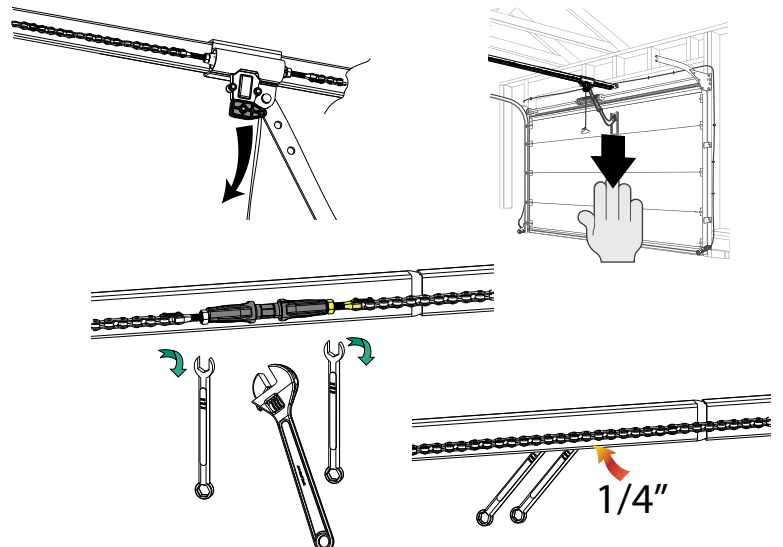
## 2 Light Models



## G. Chain/Belt Tension

If excessive chain/belt sag is noticed below the rail:

1. Open the door until carriage is about mid travel and stop.
2. Disengage the carriage and manually close the door.
3. Loosen nuts on turnbuckle using 7/16" wrenches.
4. Rotate turnbuckle counter-clockwise until slack is removed from chain/belt.
5. When measured on the opposite side of the rail from the turnbuckle, a properly adjusted chain will have a 1/4" gap to the bottom of the rail.
6. Tighten nuts to secure turnbuckle.
7. Be sure that chain/belt is not twisted or bound.
8. Manually open door to re-engage carriage to turnbuckle.



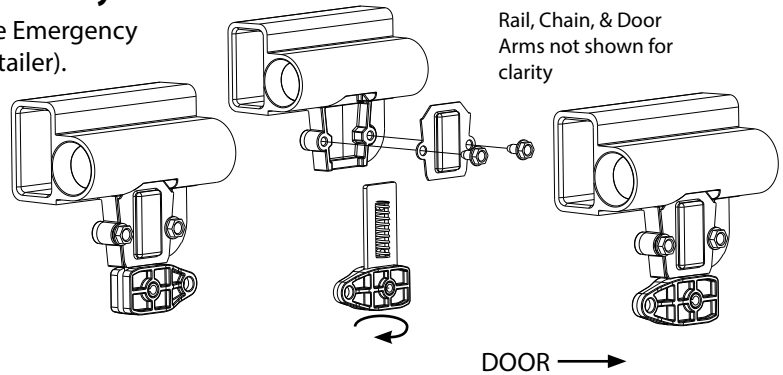
# Maintenance and Adjustments

## H. Adjust Carriage for (optional) Emergency Release System

The carriage on this opener can be adjusted to work with the Emergency Release Cable Lock System (available at your local Genie® Retailer).

1. Operate door to mid position.
2. Pull emergency release cord and manually close door.
3. Make sure carriage latch is in the upright (engaged) position.
4. Remove (2) 5/16" machine screws and cap.
5. Pull spring assembly out and reverse direction.
6. Install cap and machine screws.

Emergency Release cable can now be assembled to the carriage assembly.



## I. Adjustment Guides

### ⚠ WARNING

#### TO AVOID INJURY OR DAMAGE

- **NEVER** adjust the force settings to adjust for damage, including an unbalanced door, binding door track or broken spring.
- Perform a CONTACT REVERSE TEST monthly. See page 8.

### ⚠ AVERTISSEMENT

#### Pour éviter les blessures ou des dommages

- **NE JAMAIS** régler la force pour compenser des dommages, y compris une porte mal équilibrée, un rail de porte coincant ou des ressorts cassés.
- Tous les mois, EFFECTUEZ LE TEST D'INVERSION AU CONTACT. Voir page 8.

### Force Settings

Force settings are pre-programmed at the factory and applied during the Open/Closed Limit settings steps (see page 8). For normal use, these settings should not need adjustments with this unit.

Conditions possibly requiring adjustments are:

1. Doors with very stiff weather seals.
2. Doors that start down, STOP, and reverse before closing.
3. Doors that start up, but STOP before they completely open.

### FORCE SETTINGS CHART

LED indicator colors: ○ OFF ● Blue ○ Purple ● Red

Force Level	Powerhead LEDs			
	LONG LED	ROUND LED		
Force Level 1	Off	█	●	BLUE
Force Level 2	BLUE	█	○	Off
Force Level 3	BLUE	█	●	BLUE
Force Level 4	Off	█	○	PURPLE
Force Level 5	PURPLE	█	○	Off
Force Level 6	PURPLE	█	○	PURPLE
Force Level 7	Off	█	●	RED
Force Level 8	RED	█	○	Off
Force Level 9	RED	█	●	RED

Press and hold both up and down arrow buttons until round LED turns RED, release button. BLUE LED will flash 3 times.		
LEDs will now display current UP force setting (See chart).		
Press either arrow button until desired UP force setting is reached (see chart).		See Chart
Once setting is chosen, press and release. This will lock the UP force setting.		
LEDs will now show current DOWN force setting. (See Chart).		
Press either arrow button until desired DOWN force setting is reached. (See chart).		See Chart
Once setting is chosen, press and release. This will lock the DOWN force setting.		
The LEDs will now turn BLUE then off. This confirms that both force setting have been reset and unit is ready for normal operation.		
Repeat "Learn Force Limits and Contact Reverse Test" page 8		

### Resetting Travel Limits

See pages 6-7-8 to reset travel limits. Force setting and contact reverse test must be performed in the event of a travel limit change.

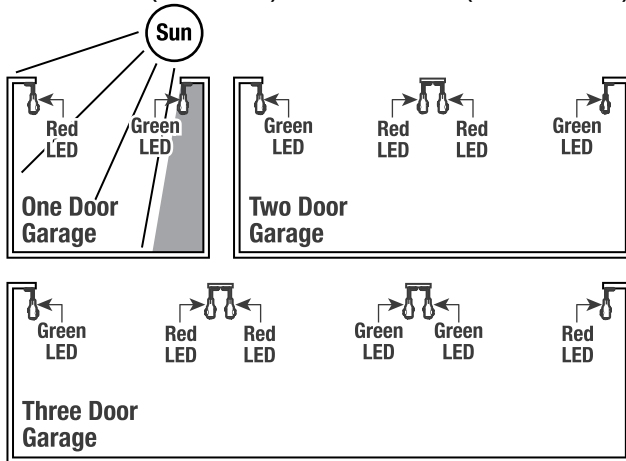
**NOTE:** The opener will not close automatically unless the Safe-T-Beam® System is installed and Limits are programmed.

# 5

## Maintenance and Adjustments

### LOCATING SAFE-T-BEAM® PAIRS

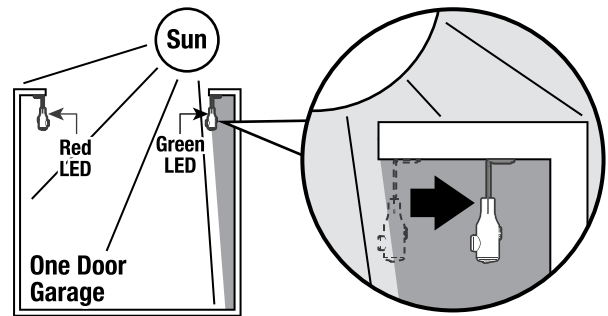
Transmitter (RED LED) and Receiver (GREEN LED)



### Multiple Garage Doors

- NEVER position Safe-T-Beam® modules where signals will cross.
- Place the Transmitter (Red LED) Safe-T-Beams on adjacent doors facing in opposite directions.

**NOTE:** Direct sunlight creates interference with Safe-T-Beam® Receiver (Green LED). STB modules CAN be positioned further away from the door opening if necessary to avoid sunlight but no further off the wall to maintain alignment with the Transmitter (Red LED) module.



### Single Garage Door

- Determine which side of the garage receives direct sunlight.
- Position the Transmitter (Red LED) on the direct sunlight side.

# 6

## Wiring Diagram (Basic Circuit—This diagram is for reference only.)

### ⚠ WARNING



ELECTRICAL SHOCK

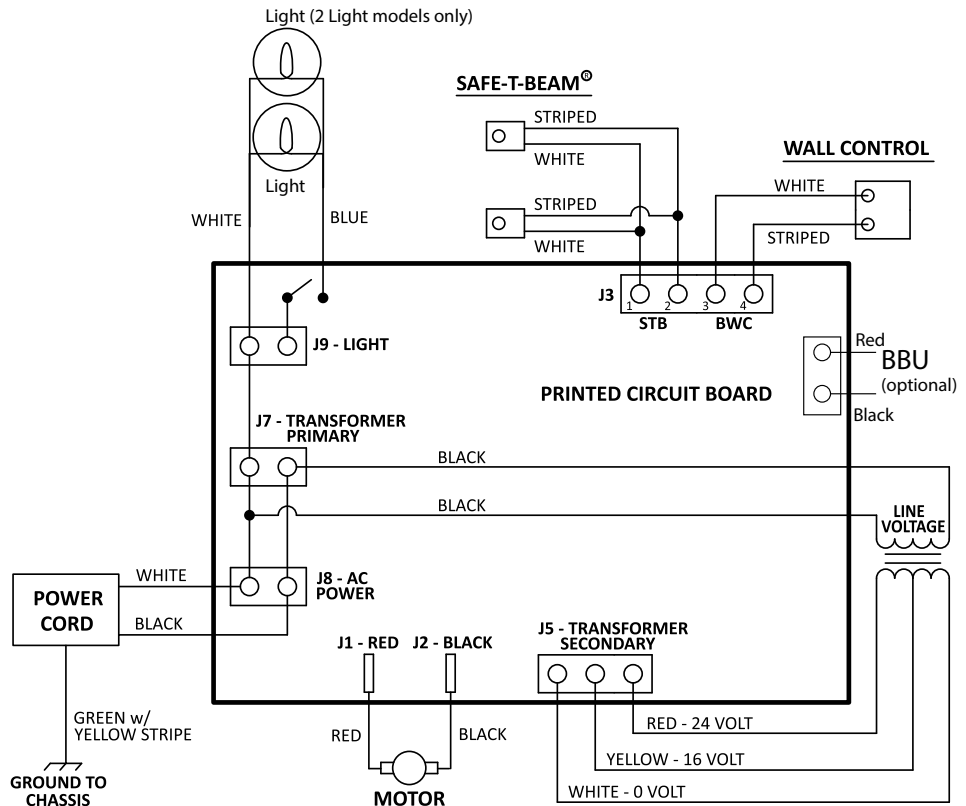
OPENING COVER MAY CAUSE ELECTRICAL SHOCK  
Disconnect power from opener prior to removing cover

### ⚠ AVERTISSEMENT



CHOC ÉLECTRIQUE

OUVERTURE DE COUVERTURE PEUT PROVOQUER CHOC ÉLECTRIQUE.  
Coupez l'alimentation du premier match avant de retirer le couvercle.





Need help or have questions? **DO NOT RETURN** to the store.  
Visit [www.genicompany.com](http://www.genicompany.com) or call Customer Service at 1-800-35-GENIE.

PROBLEM:	WHAT TO DO:
<b>Opener does NOT operator when wall control is pressed.</b>	<ul style="list-style-type: none"> <li>• Turn Sure-Lock™ OFF See page 4.</li> <li>• Check power source.               <ul style="list-style-type: none"> <li>– Plug a lamp into outlet used for powerhead. If lamp works, power source is OK.</li> <li>– If not, check fuse or circuit breaker.</li> </ul> </li> <li>• If power is OK,               <ul style="list-style-type: none"> <li>– Check connections at powerhead terminals and at wall console.</li> </ul> </li> <li>• Check for reversed, broken or cut wires. Staples can cut insulation and short wires. Repair or replace.</li> </ul>
<b>Opener runs, but door does not move.</b>	<ul style="list-style-type: none"> <li>• Make sure carriage is engaged with chain/belt turnbuckle. Refer to installation poster or download poster from <a href="http://www.GenieCompany.com">www.GenieCompany.com</a></li> <li>• Check to make sure chain/belt is not broken or off its pulley.</li> </ul>
<b>Opener works from wall control, but NOT from remote.</b>	<ul style="list-style-type: none"> <li>• Check all remotes.</li> <li>• Replace remote battery. See page 15.</li> <li>• Program remotes to powerhead. See page 9.</li> </ul>
<b>Remote has less than 25 feet operating range or no operation.</b>	<ul style="list-style-type: none"> <li>• Relocate remote inside car and /or point remote at garage door.</li> <li>• Replace battery. See page 15.</li> <li>• Reposition door opener antenna.</li> <li>• Eliminate possible competing signals (radio, etc.).</li> <li>• LED bulbs may be interfering with remote signal. See page 16.</li> </ul>
<b>Door starts down, then STOPS and goes back up. OR Safe-T-Beam® System malfunction.</b>	<ul style="list-style-type: none"> <li>• If a NEW installation, check Door Arm position. Refer to Installation poster or download poster from <a href="http://www.GenieCompany.com">www.GenieCompany.com</a>.</li> <li>• Check if limits are properly set. See pages 6-7. Adjust limits as needed.</li> <li>• Check if Safe-T-Beam® red LED is flashing. See page 15, Safe-T-Beam® system check.</li> <li>• Check Safe-T-Beam® system for beam obstruction or misalignment of lenses. See page 15, Safe-T-Beam® system.</li> <li>• Check garage door for binding.</li> <li>• If an operational problem exists, and opener will not close, the opener can be forced to close as follows: Press and hold the wall control button until door is completely closed.</li> <li>• Check for interference from adjacent Safe-T-Beam® units. See page 18.</li> <li>• Contact Genie at 1-800-35-GENIE.</li> </ul>
<b>Door starts down, then STOPS before it is closed. OR Door will only open.</b>	<ul style="list-style-type: none"> <li>• Check Safe-T-Beam® wire connection at powerhead and at STBs. See page 15, Safe-T-Beam® system check.</li> <li>• Check if limits are properly set. See pages 6-7. Adjust limits as needed.</li> <li>• Check CONTACT REVERSE. See page 8.</li> <li>• Check garage door for binding. See maintenance and adjustment. Pages 14-18.</li> <li>• Check closing "FORCE" control. See page 8, or Force settings. Page 17.</li> </ul>
<b>Door starts up, but STOPS before it is completely open.</b>	<ul style="list-style-type: none"> <li>• Check if limits are properly set. See pages 6-7. Adjust limits as needed.</li> <li>• Be sure door, opener, springs are in good repair, properly lubricated and balanced.</li> <li>• Check closing/opening "FORCE" control. See page 8, or Force settings Page 17.</li> <li>• If you suspect a problem with the garage door hardware or springs, visit <a href="http://www.GenieCompany.com">www.GenieCompany.com</a> and use the "dealer locator" to hire a local door service professional. <b>NEVER try to repair door hardware or springs yourself.</b></li> </ul>
<b>Door will only run closed.</b>	<ul style="list-style-type: none"> <li>• Turn Sure-Lock™ OFF See page 4.</li> <li>• Check if limits are properly set. See pages 6-7.</li> <li>• Check door balance, condition, and door spring.</li> <li>• Check opening "FORCE" control. See page 8, or Force settings. Page 17.</li> <li>• If you suspect a problem with the garage door hardware or springs, visit <a href="http://www.GenieCompany.com">www.GenieCompany.com</a> and use the "dealer locator" to hire a local door service professional. <b>NEVER try to repair door hardware or springs yourself.</b></li> </ul>
<b>Door opener starts for no reason.</b>	<ul style="list-style-type: none"> <li>• Button stuck on wall control or remote.</li> <li>• Was remote lost or stolen? Erase all remotes from powerhead memory and program new remotes. See pages 9-13.</li> </ul>

# 7

# Troubleshooting

## OPERATION (continued)

PROBLEM	WHAT TO DO
<b>Noisy operation.</b>	<ul style="list-style-type: none"> <li>• Be sure all door fasteners are tight.</li> <li>• Be sure garage door is in good repair, properly lubricated and balanced.</li> <li>• Be sure opener is in good repair.</li> </ul>
<b>Door opener runs slow.</b>	<ul style="list-style-type: none"> <li>• Check operating condition of door. Door may need professional repair/adjustment.</li> <li>• Is this opener installed on a one-piece door? This opener is not designed to operate a one-piece door.</li> </ul>

## POWERHEAD LEDS

Powerhead LED		Possible Problem	Solution
Round LED	Long LED		
OFF	OFF	Normal operation.	None required.
		No response from unit.	Check power supply. Contact a trained door system professional.
ON/RED/ STEADY	ON/RED/ STEADY	Limits NOT set properly.	Re-program limits, see pages 6-7.
ON/RED/ FLASHING	ON/RED/ FLASHING	Program error.	Unplug unit, wait 5 seconds, plug in.
		Component failure.	Contact a trained door system technician.
ON/BLUE/ FLASHING	OFF	Remote NOT programmed.	Program remote, see page 9.
ON/PURPLE/ FLASHING	OFF	Remote NOT programmed.	Program remote, see page 9.
ON/RED/ FLASHING	OFF	Safe-T-Beam® physical obstruction.	Remote obstruction, recheck unit.
		Safe-T-Beam® signal interference.	Check alignment of Safe-T-Beam® pair and nearest other Safe-T-Beam® pair, see page 15.
OFF	ON/RED/ FLASHING	Door contact in UP or DOWN travel.	Remove obstruction.
		Door component failure detected.	Check door spring, track, rollers, hinges and fixtures.
OFF	ON/RED/ STEADY	Thermal cutout.	DO NOT unplug unit. Wait until LED clears before operating.
ON/PURPLE/ STEADY	ON/PURPLE/ STEADY	Component error.	Contact a trained door system technician.
OFF	ON/BLUE/ FLASHING	Door will not open.	Check Sure-Lock™. Sure-Lock™ should be OFF for normal operation (see page 4).
ON/PURPLE/ FLASHING	ON/PURPLE/ FLASHING	Radio receiver error.	Unplug the unit. Wait 5 seconds and plug the unit back in. If problems persist, contact a trained door system technician.
ON/GREEN STEADY	ON/GREEN STEADY	OK=Charged, Battery Back Up	None Required
ON/GREEN FLASHING	ON/GREEN FLASHING	Discharging, Battery Back Up	Power is out. Battery in use.
ON/YELLOW FLASHING	ON/YELLOW FLASHING	Charging, Battery Back Up	None Required
ON/RED TO YELLOW FLASHING	ON/RED TO YELLOW FLASHING	Dead Battery, Battery Back Up	Allow to charge 48 hours. If charging fails, Replace Battery.
ON/WHITE STEADY	ON/WHITE STEADY	Battery Backup in Operation	No Fault. Courtesy light while in battery backup mode. Light will turn off after 4 minutes.

# Genie Battery Backup (BBU)

Battery backup devices from other manufacturers will not operate with this opener.

Use only Genie Battery Backup type battery that was provided. Genie P/N 111658-0002

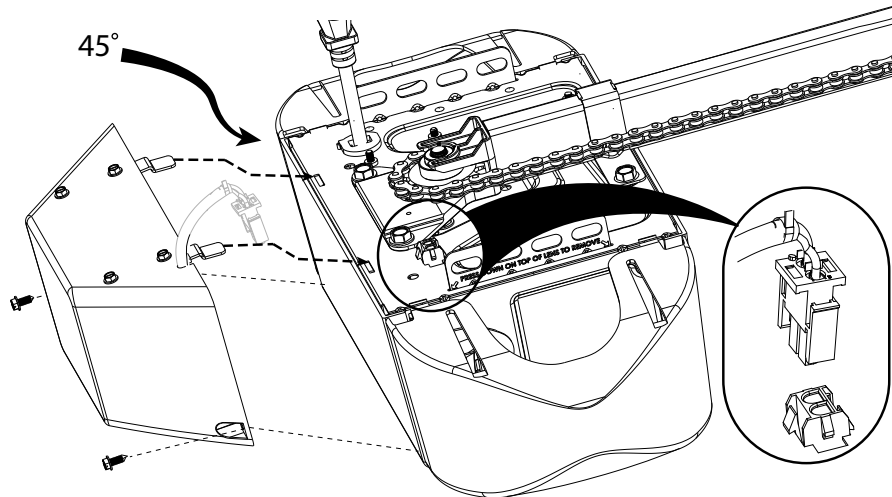
## Installing Genie Battery Backup

For units that included with optional battery backup (BBU)

1. Unplug powerhead from power source.
2. Tilt BBU approximately 45° and lower into slots in the top rear of the powerhead.
3. Fasten to powerhead with 2 supplied self tapping screws.

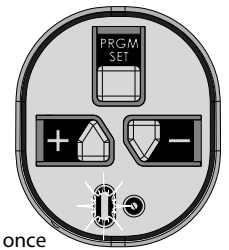
**NOTE:** There are no holes in rear cover. Self Tapping screws will drill through cover.

4. Plug battery harness into plug located at the top of the powerhead.
5. Reconnect powerhead to power source.



**CAUTION** TO PREVENT POSSIBLE SERIOUS INJURY or DEATH from electrocution AND REDUCE RISK OF FIRE  
— Disconnect ALL electric power sources and battery power BEFORE performing ANY service or maintenance.  
Install only in DRY locations - NOT INTENDED FOR OUTDOOR USE.  
Use only 12V, 5AH, SLA replacement battery  
(Genie P/N 111658-0002).

**ATTENTION** POUR ÉVITER LES BLESSURES GRAVES VOIRE MORTELLE PAR ÉLECTROCUTION POUR RÉDUIRE ES LES RISQUES D'INCENDIE  
— Débrancher toutes les sources d'alimentation électriques et la pile avant d'effectuer des opérations de réparation ou d'entretien.  
Installer uniquement dans des endroits secs—NE DOIT PAS ÊTRE UTILISÉ À L'EXTÉRIEUR.  
Utiliser uniquement une pile de remplacement de 12V, 5AH, SLA (réf. Genie 111658-0001).



See page 20 for Condition LED's That will illuminate once Genie Battery Backup is operational.

## Testing The Genie Battery Backup

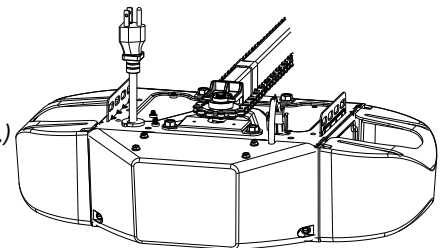
**NOTE:** It is recommended that the battery backup be allowed to charge for 24 to 48 hours prior to testing. Initially, the opener may not operate from the battery backup mode if battery is not fully charged.

1. Run the opener using the wall control or remote to ensure it is working properly.
2. Turn off power to opener by unplugging from outlet or turning off breaker.
3. Press wall control or remote control. Opener will run at a slower speed than normal.

**NOTE:** See troubleshooting guide (pg. 20) in this manual if any of the steps above fail.

Work light will not operate while in battery backup mode. (Courtesy white LED's will illuminate.)

4. After successful test, reconnect powerhead to power source.



Completed Assembly

## Replacing The Battery in the Genie Battery Backup

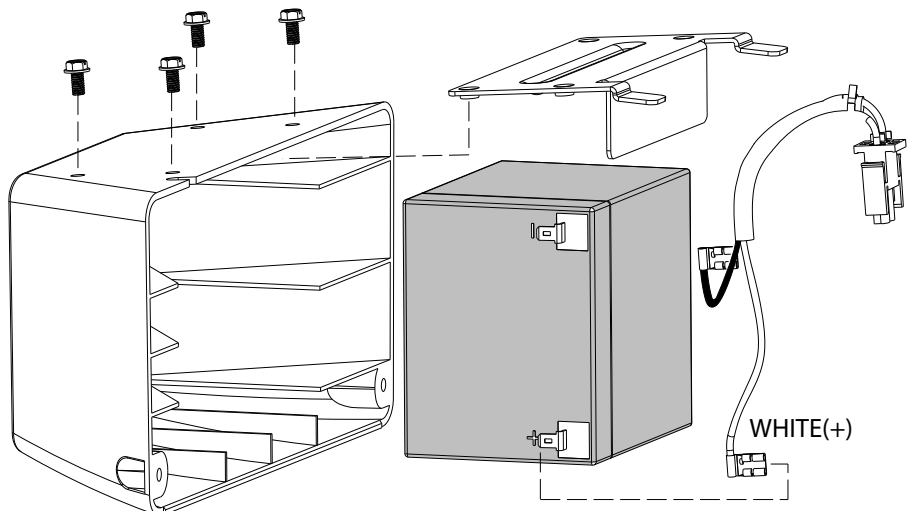
Proper care should be used when handling a battery. Eye protection should be worn.

**NOTE DO NOT** reverse polarity (+) and (-) as this will damage the powerhead.

1. Unplug powerhead from power source.
2. Unplug battery backup from harness connection.
3. Remove both mounting screws from rear of battery backup.
4. Detach battery backup from back of opener by tilting the BBU approximately 45 degrees and lifting up towards the ceiling.
5. Remove 4 screws from battery hold down bracket.
6. Remove battery.
7. Disconnect harness wires from the (+) and (-) terminals.
8. Replace in reverse order

**NOTE:** Allow 24-48 hours to charge battery before testing.

9. Test as noted above.





## **Genie Models 1035, 2035, 2036, 2055, 3035, 3055, 7035, 7055 Limited Warranty**

GMI Holdings, Inc. d/b/a The Genie Company ("Seller") warrants to the original purchaser of the Models 1035, 2035, 2036, 2055, 3035, 3055, 7035 or 7055 garage door opener ("Product"), subject to all of the terms and conditions hereof, that the Product and all components thereof will be free from defects in materials and workmanship for the following period(s) of time, measured from the date of purchase:

**MOTOR/GEARBOX –**

Models 3035, 3055, 7035 and 7055- LIMITED LIFETIME\*  
Models 2035 and 2055 - TEN (10) YEARS  
Models 2036 - SEVEN (7) YEARS  
Models 1035 - FIVE (5) YEARS

**BELT - FIFTEEN (15) YEARS for Belt Drive Product  
or  
CHAIN - FIVE (5) YEARS for Chain Drive Product**

**ACCESSORIES - ONE (1) YEAR**

**CORE UNIT PARTS\*\* -**

Models 3035, 3055, 7035 AND 7055 - FIVE (5) YEARS.  
Models 1035, 2035, 2036 AND 2055 - ONE (1) YEAR

**OTHER PARTS - Parts and components not part of the Core Unit\*\* - ONE (1) YEAR**

\*"Limited Lifetime" shall mean for as long as the original purchaser owns the home in which the Product is originally installed

\*\* The "Core Unit" consists of the power head, wired wall control, Safe-T-Beam® system, J-Arm and rail.

Seller's obligation under this warranty is specifically limited to repairing or replacing, at its option, the Product or any part thereof which is determined by Seller to be defective during the applicable warranty period. Any labor charges are excluded and will be the responsibility of the purchaser.

This warranty gives you specific legal rights, and you may also have other rights which vary from state to state. This warranty is made to the original purchaser of the Product only, and is not transferable or assignable. This warranty applies only to Product installed in a residential or other non-commercial application. It does not cover any Product installed in commercial or industrial building applications. This warranty does not apply to any unauthorized or improper installation, alteration or repair of the Product, or to any Product or component which has been damaged or deteriorated due to misuse, neglect, accident, failure to provide necessary maintenance, failure to follow owner's manual instructions, normal wear and tear, or acts of God or any other cause beyond the reasonable control of Seller, and does not cover batteries, use of extension cord, missing or damaged parts from clearance or open box sales, or repairs or maintenance to door components.

ALL EXPRESS AND IMPLIED WARRANTIES FOR THE PRODUCT, INCLUDING BUT NOT LIMITED TO ANY IMPLIED WARRANTIES OF MERCHANTABILITY AND FITNESS FOR A PARTICULAR PURPOSE, ARE LIMITED IN TIME TO THE APPLICABLE WARRANTY PERIOD REFLECTED ABOVE. NO WARRANTIES, WHETHER EXPRESS OR IMPLIED, WILL APPLY AFTER THE LIMITED WARRANTY PERIOD HAS EXPIRED. Some states do not allow limitations on how long an implied warranty lasts, so the above limitation may not apply to you.

IN NO EVENT SHALL GMI HOLDINGS, INC. OR ITS PARENT OR AFFILIATES BE RESPONSIBLE FOR, OR LIABLE TO ANYONE FOR, SPECIAL, INDIRECT, COLLATERAL, PUNITIVE, INCIDENTAL OR CONSEQUENTIAL DAMAGES, even if Seller has been advised of the possibility of such damages. Such excluded damages include, but are not limited to, loss of use, cost of any substitute product, or other similar indirect financial loss. Some states do not allow the exclusion or limitation of incidental or consequential damages, so the above limitation or exclusion may not apply to you.

Claims under this warranty must be made promptly after discovery and within the applicable warranty period. To obtain warranty service, you must contact Genie® customer service toll free at 1-800-354-3643 to speak with a trained representative and attempt reasonable troubleshooting measures, as well as provide proof of the date and location of purchase, identification as the original purchaser and a description of the claimed defect. Purchaser must allow Seller a reasonable opportunity to inspect the Product claimed to be defective prior to removal or alteration of its condition. Upon determination by Seller that the Product or any part thereof is defective during the applicable warranty period (which may require purchaser to return the Product to Seller at purchaser's expense), Seller will supply the purchaser with replacement parts or, at its option, a replacement Product (shipping and handling of any replacement Product or parts also at purchaser's expense). Seller may use new or reconditioned parts, or a new or reconditioned Product of the same or similar design.

There are no established informal dispute resolution procedures of the type described in the Magnuson-Moss Warranty Act.

**Register your warranty at our website. [http://www.GenieCompany.com/support\\_warranty.aspx](http://www.GenieCompany.com/support_warranty.aspx)**

PURCHASER: \_\_\_\_\_  
INSTALLATION ADDRESS: \_\_\_\_\_  
DATE PURCHASED: \_\_\_\_\_  
OPENER MODEL: \_\_\_\_\_  
REMOTE CONTROL MODEL: \_\_\_\_\_  
DATE OF INSTALLATION: \_\_\_\_\_  
NAME OF DISTRIBUTOR/INSTALLER: \_\_\_\_\_  
ADDRESS OR DISTRIBUTOR/INSTALLER: \_\_\_\_\_  
SERIAL NUMBER: \_\_\_\_\_