

DC Cover Replacement

These instructions are written assuming that you will have ample room around Opener to perform this repair. Some rare instances will require removal of the unit from its mounting hardware and repair made on a bench or floor. Refer to your Owners Manual for proper assembly and carefully read and understand all warnings and cautions pertaining to your unit.

⚠ WARNING

BE SURE ELECTRICAL POWER HAS BEEN DISCONNECTED FROM THE INPUT POWER LINES PRIOR TO REMOVING THE MOTOR COVER.

⚠ WARNING

ANY AND ALL REPAIRS MADE TO THIS UNIT MUST BE PERFORMED WITH THE DOOR DISCONNECTED FROM THE OPENER AND IN THE CLOSED POSITION.

1. Pull emergency release cord on carriage to disengage opener to close door if necessary. (If unable to lower door using opener, use extreme caution manually closing door. Before pulling emergency release cord, make certain people and objects are clear of door opening.)
2. Unplug opener power cord from power receptacle.
3. Open lens cover by pressing middle tab inward and remove light bulbs. FIG. 1.
4. Remove wall control and Safe-T-Beam wires from terminal block located on side of opener FIG. 1. Use small common screwdriver to press in on orange tabs while gently pulling wires from block. Mark wires to help facilitate replacement.
5. Unplug any optional accessories such as the battery backup and/or networking adapter.
6. Remove two 5/16" screws securing powerhead cover to chassis. FIG. 2.
7. Allow the motor cover to swing down to access control board and wire harnesses.

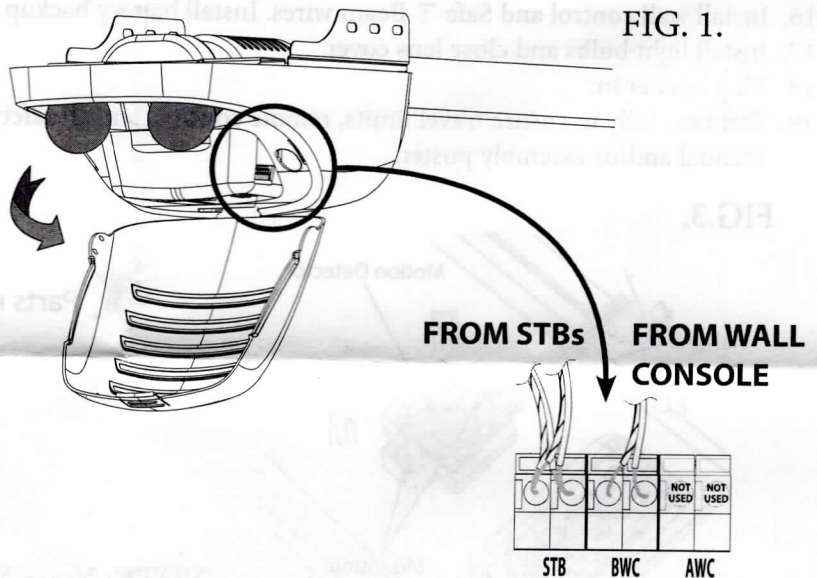
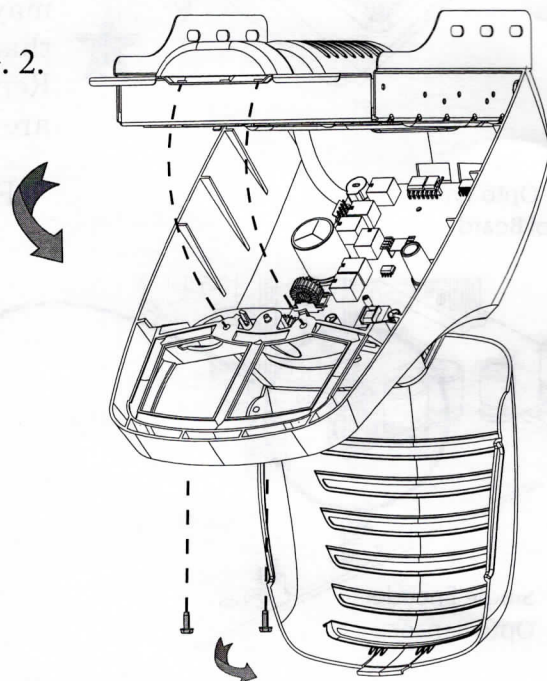


FIG. 2.



8. Unplug these harnesses from control board. FIG. 4.
 - Light harness
 - Motor harness
 - Opto harness
 - AC in harness
 - Motion Detector (if equipped)
 - Green ground wire to chassis (if equipped)
 9. Powerhead cover can now be removed from opener chassis for repair.
 10. Remove control board mounting screws and board.
 11. Remove screws and transfer motion detector into replacement cover. FIG. 3.
 12. Squeeze tabs on light cover to remove and transfer to replacement cover. FIG. 4.
- Note:** Be certain to install all harnesses in the correct position being sure to install with locking tabs facing each other. FIG 5.
13. Mount board to replacement cover and secure with screws removed in step 10. Feed antenna wire through hole in cover.
 14. Hang powerhead cover to chassis to install harnesses removed in step 8.
 15. Swing powerhead cover up onto chassis and secure using screws removed in step 6.
 16. Install wall control and Safe-T-Beam wires. Install battery backup and/or network harnesses if applicable.
 17. Install light bulbs and close lens cover.
 18. Plug opener in.
 19. Test unit fully to ensure travel limits, remote controls and all safety features work correctly. Refer to your owners manual and/or assembly poster.

FIG.3.

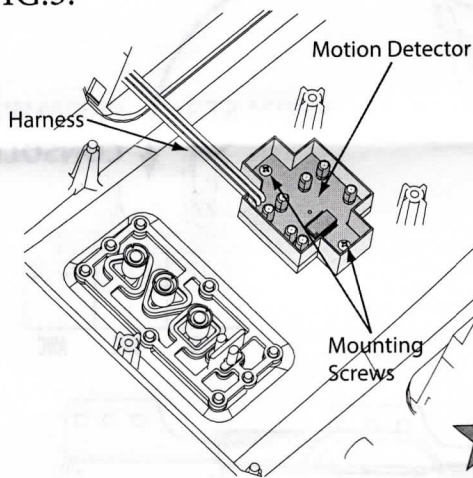
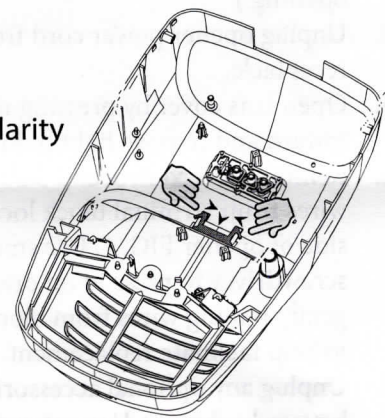


FIG.4.



Parts removed for clarity



NOTE: Your Motor Cover may differ in appearance than illustrated. Replacement instructions are identical.

Single Opto Type Control Board

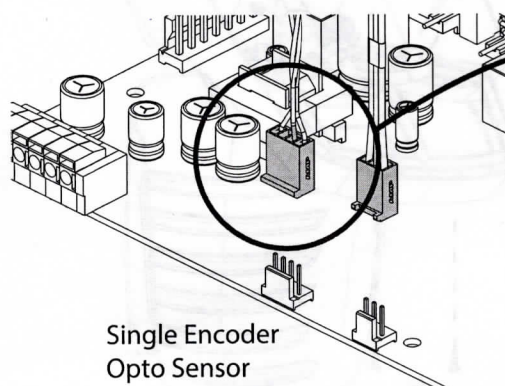


FIG.5.

