

# Cover Replacement

These instructions are written assuming that you will have ample room around Opener to perform this repair. Some rare instances will require removal of the unit from its mounting hardware and repair made on a bench or floor. Refer to your Owners Manual for proper assembly and carefully read and understand all warnings and cautions pertaining to your unit.

**⚠ WARNING**  
BE SURE ELECTRICAL POWER HAS BEEN DISCONNECTED FROM THE INPUT POWER LINES PRIOR TO REMOVING THE MOTOR COVER.

**⚠ WARNING**  
ANY AND ALL REPAIRS MADE TO THIS UNIT MUST BE PERFORMED WITH THE DOOR DISCONNECTED FROM THE OPENER AND IN THE CLOSED POSITION.

Pull emergency release cord on carriage to disengage opener to close door if necessary. (If unable to lower door using opener, use extreme caution manually closing door. Before pulling emergency release cord, make certain people and objects are clear of door opening.)

Unplug opener power cord from power receptacle.

Remove Battery Backup (BBU) from powerhead if equipped:

Unplug harness from top of powerhead.

Remove two screws securing BBU to rear of powerhead.

Tilt BBU up and slide mounting brackets out.

Set BBU aside. FIG. 1.

Remove lens cover(s) by pressing top tabs down and slide lens cover(s) out. Remove light bulbs. FIG. 2.

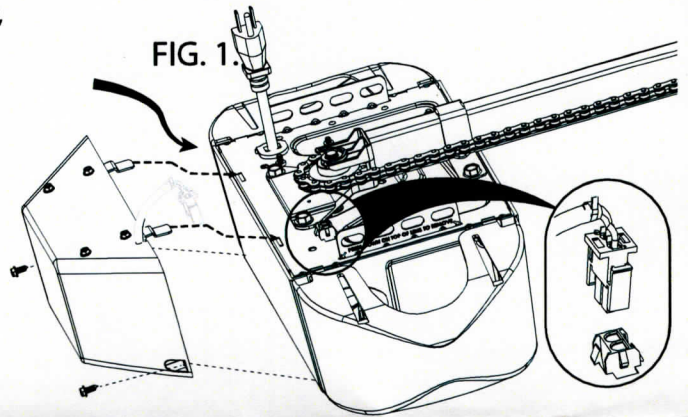
Remove wall control and Safe-T-Beam® wires from terminal block located on side of two bulb models or rear of one bulb models FIG. 3. Use small common screwdriver to press in on orange tabs while gently pulling wires from block. Mark wires to help facilitate replacement.

Remove 5/16" screws securing cover to chassis. FIG. 4.

**NOTE:** Pull Antenna from cover carefully.

Replace Cover (feed antenna through hole), Bulb(s), lens(s).

Reattach carriage, plug in opener power cord.



Two Bulb Model

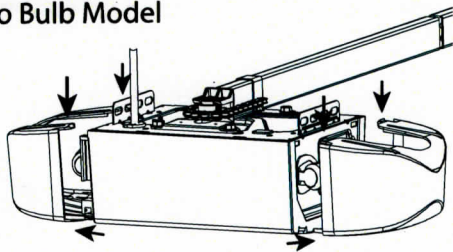
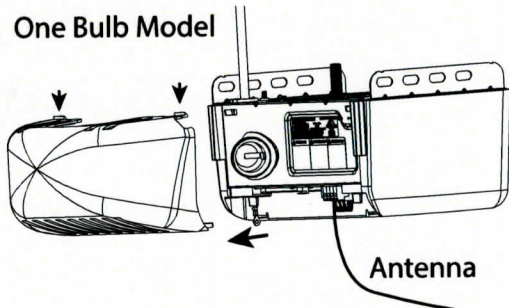


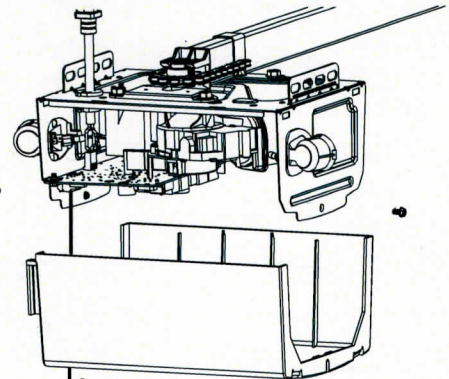
FIG. 2.

One Bulb Model



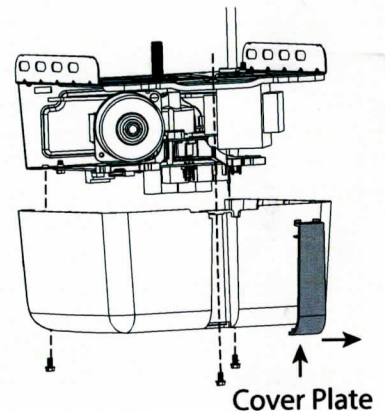
Antenna

★ Parts removed for clarity



Antenna

FIG. 3.



Cover Plate