



3.10 Connection of additional components / accessories

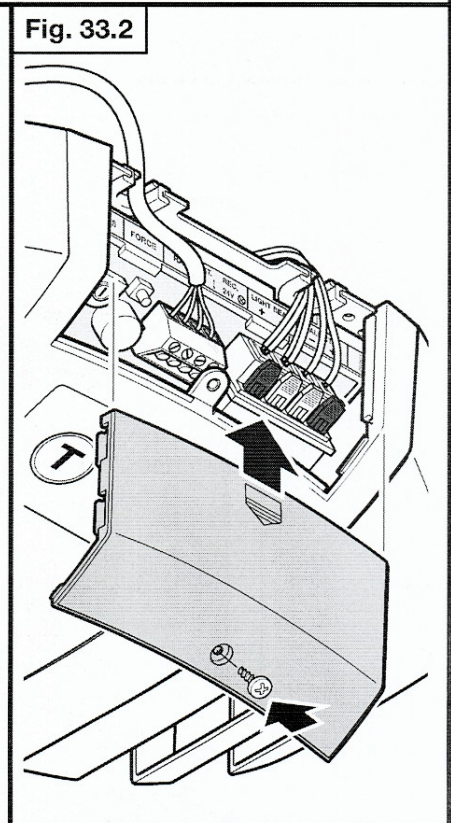
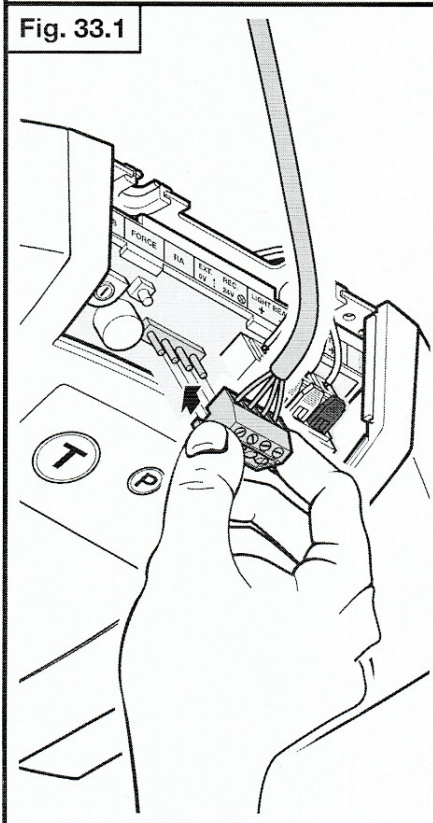
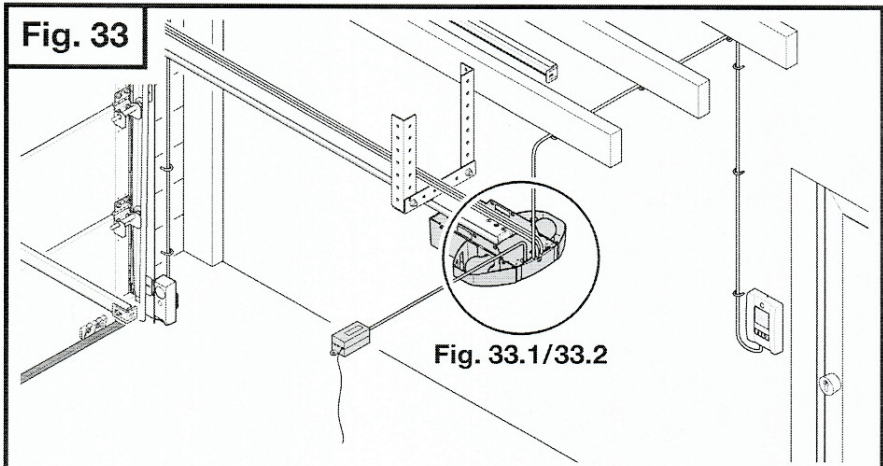
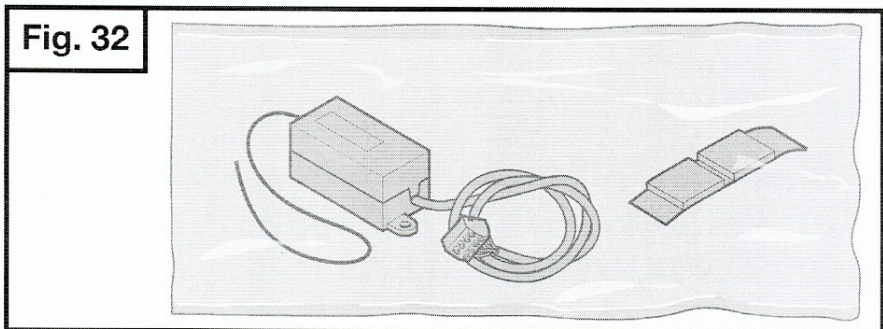


CAUTION!

Disconnect the power supply/
battery backup prior to working
on the opener.

3.10.1 Connection of an external radio receiver HE 2*

If you wish to use an external receiver for the impulse and opener light function instead of the integrated receiver you can connect it to the opener using the corresponding socket in the opener head – Fig. 33.1. Should you use receivers with the same frequency it is essential to delete the data stored in the integrated receiver (see section 3.5).



* Accessory, not included!