

APPLICATION

Replacement of limit shaft and/or its components.

INSTALLATION

PACKING LIST

ITEM	PART #	DESCRIPTION	QUANTITY
1	11-10021	Limit Shaft, Standard T (K72-10047 and K72-10047-1)	1
1	11-13361	Limit Shaft (K72-14130-1 only)	1
2	12-10028	Flange Bearing, 3/8" I.D.	2
3	13-10024	Limit Nut	2
4	15-48B9A1	Sprocket 48B9 x 3/8" bore (K72-10047 and K72-14130-1)	1
5	15-48B18AXX	Sprocket 48B18 x 3/8" bore (K72-10047-1 only) (not shown)	1
6	80-10026	Washer Shim	1
7	86-CP05-108	Roll Pin, 1/8 X 1" Long	1
8	87-E-038	E Ring, 3/8"	3
9	13-32087	Interrupter Cup	1
10	158A0040	Compression Spring	1
11	80-10025	Thick Washer (not shown)	1

WARNING

To prevent possible **SERIOUS INJURY** or **DEATH**, disconnect electric power to operator **BEFORE** installing. ALL electrical connections **MUST** be made by a qualified individual.

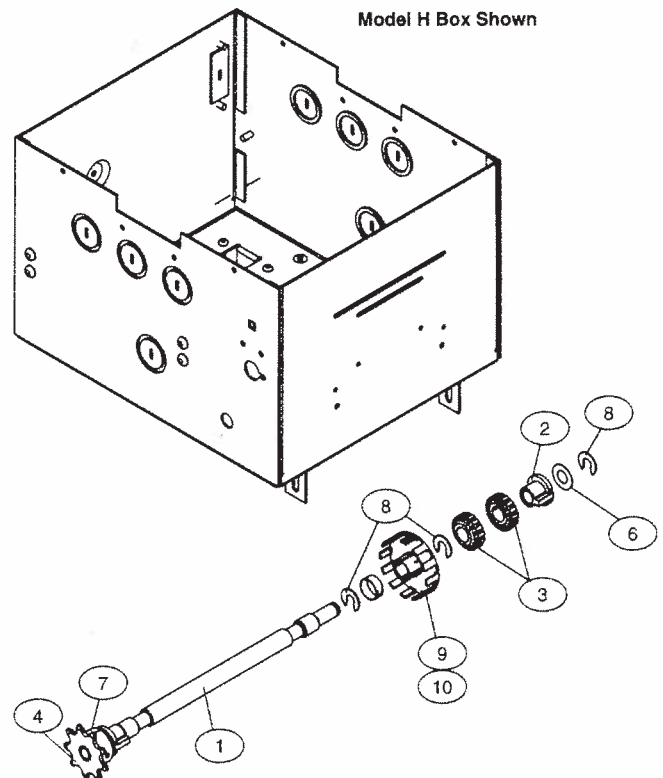
NOTE: Refer to the owner's manual provided with the operator for all mounting and wiring instructions. You will be required to reset limit nuts after installation.

REMOVE EXISTING SHAFT

Disconnect power from operator. Remove the hinged cover from the electrical box. Remove the master link from the limit chain, remove the chain and set it aside. Remove the e ring and shims from the non-sprocket end of the limit shaft. To remove the limit shaft pull it out from the sprocket side, loosening the limit nuts as needed. Remove the flanged bearings from the electrical box.

INSTALLING NEW LIMIT SHAFT

To install the new limit shaft follow the steps outlined above in reverse order, referring to the owner's manual if necessary. Restoring power completes the installation. You will be required to reset limit nuts after installation.



NOTE: Refer to the owner's manual provided with the operator for all mounting and wiring instructions.

REMOVE ELECTRICAL BOX

1. Disconnect power to operator.
2. Remove the master link from the limit chain and remove the chain. Set it aside.
3. Open the electrical box cover.
4. Disconnect the motor wires that pass into the electrical box.
5. Loosen the screws (2) of the conduit retaining clamp so that the length of conduit is freed.
6. Remove the flanged hex screws (4) securing the electrical box to the gear reducer housing.
7. Carefully remove the electrical box and set it aside (the motor wires should slide easily from the conduit).

REMOVE OLD HAND-CHAIN SHAFT ASSEMBLY

1. Remove the e-ring, washers (2) from the empty end of the hand-chain shaft and the e-ring from the opposite side of the gear reducer housing and the e-ring securing the 3/4" bevel gear. Remove the roll pin pinning the bevel gear to the shaft.
2. Slide the hand-chain shaft out of the gear reducer housing. The bevel gear will slide from the end of the shaft as it is removed.
3. Remove the flanged bearings (2) from the gear reducer housing. Remove the e-ring, washer, and spring from the end of the gear reducer shaft. Remove the roll pin from the 5/8" bevel gear and slide the gear from the end of the shaft.

WARNING

To prevent possible **SERIOUS INJURY** or **DEATH**, disconnect electric power to operator **BEFORE** installing. **ALL** electrical connections **MUST** be made by a qualified individual.

INSTALL NEW HAND-CHAIN SHAFT ASSEMBLY

1. Assemble the chain wheel side of the hand-chain shaft, referring to the illustration and the owner's manual as necessary.
2. To finish installing the new shaft, follow the steps outlined above in reverse order.

COMPLETE INSTALLATION

1. Reinstall the electrical box by placing the box on the gear reducer housing. Align the slots in the bottom of the box with their corresponding holes on the housing and mounting bracket. *Do not tighten the screws at this time.*
2. Replace the limit chain and secure with the master link. Slide the electrical box in its slots until most of the slack in the limit chain is picked up, being careful not to over-tighten the chain. Secure the box to the gear housing by tightening the hex screws.
3. Reconnect the motor wires (refer to diagram inside electrical box cover or owner's manual) and close the electrical box cover.
4. Restore power to operator.