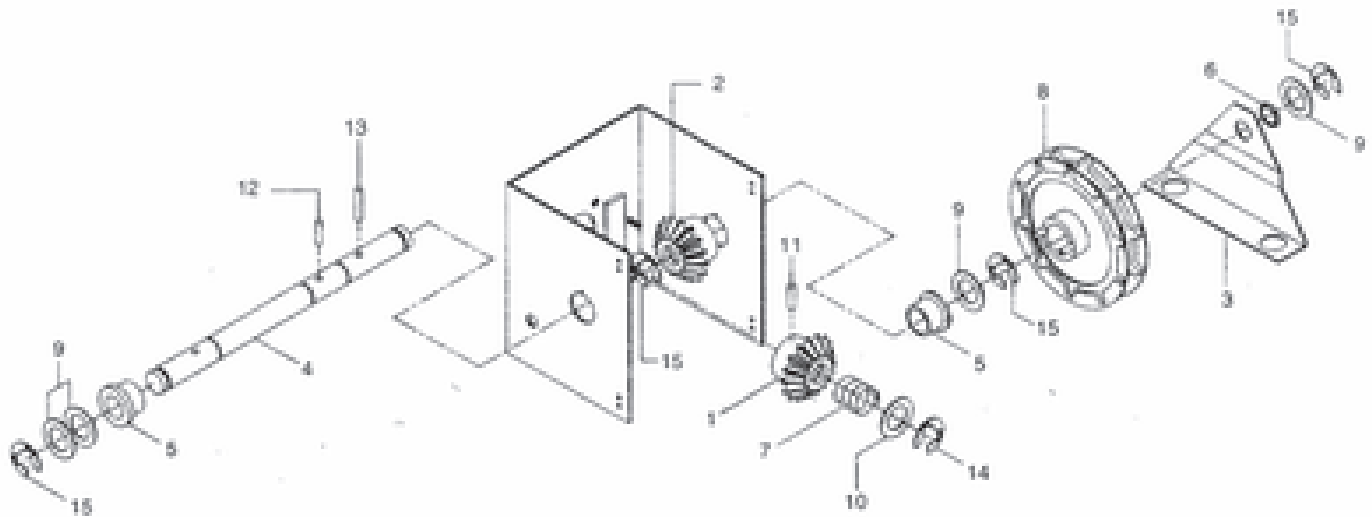


CHAMBERLAIN

**LiftMaster**  
PROFESSIONAL

**HAND-CHAIN  
SHAFT ASSEMBLY**  
FOR MODEL GH OPERATORS K72-12789



**PACKING LIST**

ITEM	DESCRIPTION	QTY	ITEM	DESCRIPTION	QTY
1	Bevel gear, 5/8" I.D.	1	10	Chain wheel assembly	1
2	Bevel gear, 3/4" I.D. 24 tooth (3HP models)	1	11	Shim washer, thick	4
3	Bevel gear, 3/4" I.D.	1	12	Washer, .656 I.D. x 1.25 O.D. x .06 thick	1
4	Bevel gear assembly, 3/4" I.D. 3HP (3HP models)	1	13	Roll pin, 1/4" x 1-1/2" long	1
5	Hand chain guide	1	14	Roll pin, 5/16" x 1-5/8" long	1
6	Hand chain shaft, GH	1	15	Roll pin, 5/16" x 2-1/2" long	1
7	Bearing, 3/4" I.D.	2	16	E-ring, 5/8"	1
8	Nylon bearing	1	17	E-ring, 3/4"	4
9	Compression spring, GH	1			

**NOTE:** Refer to the owner's manual provided with the operator for all mounting and wiring instructions.

### **REMOVE ELECTRICAL BOX**

1. Disconnect power to operator.
2. Remove the master link from the limit chain and remove the chain. Set it aside.
3. Open the electrical box cover.
4. Disconnect the motor wires that pass into the electrical box.
5. Loosen the screws (2) of the conduit retaining clamp so that the length of conduit is freed.
6. Remove the flanged hex screws (4) securing the electrical box to the gear reducer housing.
7. Carefully remove the electrical box and set it aside (the motor wires should slide easily from the conduit).

### **REMOVE OLD HAND-CHAIN SHAFT ASSEMBLY**

1. Remove the e-ring, washers (2) from the empty end of the hand-chain shaft and the e-ring from the opposite side of the gear reducer housing and the e-ring securing the 3/4" bevel gear. Remove the roll pin pinning the bevel gear to the shaft.
2. Slide the hand-chain shaft out of the gear reducer housing. The bevel gear will slide from the end of the shaft as it is removed.
3. Remove the flanged bearings (2) from the gear reducer housing. Remove the e-ring, washer, and spring from the end of the gear reducer shaft. Remove the roll pin from the 5/8" bevel gear and slide the gear from the end of the shaft.

## **WARNING**

To prevent possible **SERIOUS INJURY** or **DEATH**, disconnect electric power to operator **BEFORE** installing. **ALL** electrical connections **MUST** be made by a qualified individual.

### **INSTALL NEW HAND-CHAIN SHAFT ASSEMBLY**

1. Assemble the chain wheel side of the hand-chain shaft, referring to the illustration and the owner's manual as necessary.
2. To finish installing the new shaft, follow the steps outlined above in reverse order.

### **COMPLETE INSTALLATION**

1. Reinstall the electrical box by placing the box on the gear reducer housing. Align the slots in the bottom of the box with their corresponding holes on the housing and mounting bracket. *Do not tighten the screws at this time.*
2. Replace the limit chain and secure with the master link. Slide the electrical box in its slots until most of the slack in the limit chain is picked up, being careful not to over-tighten the chain. Secure the box to the gear housing by tightening the hex screws.
3. Reconnect the motor wires (refer to diagram inside electrical box cover or owner's manual) and close the electrical box cover.
4. Restore power to operator.