

CHAMBERLAIN®

LiftMaster
PROFESSIONAL

CLUTCH ASSEMBLY KIT

K75-12858

APPLICATION

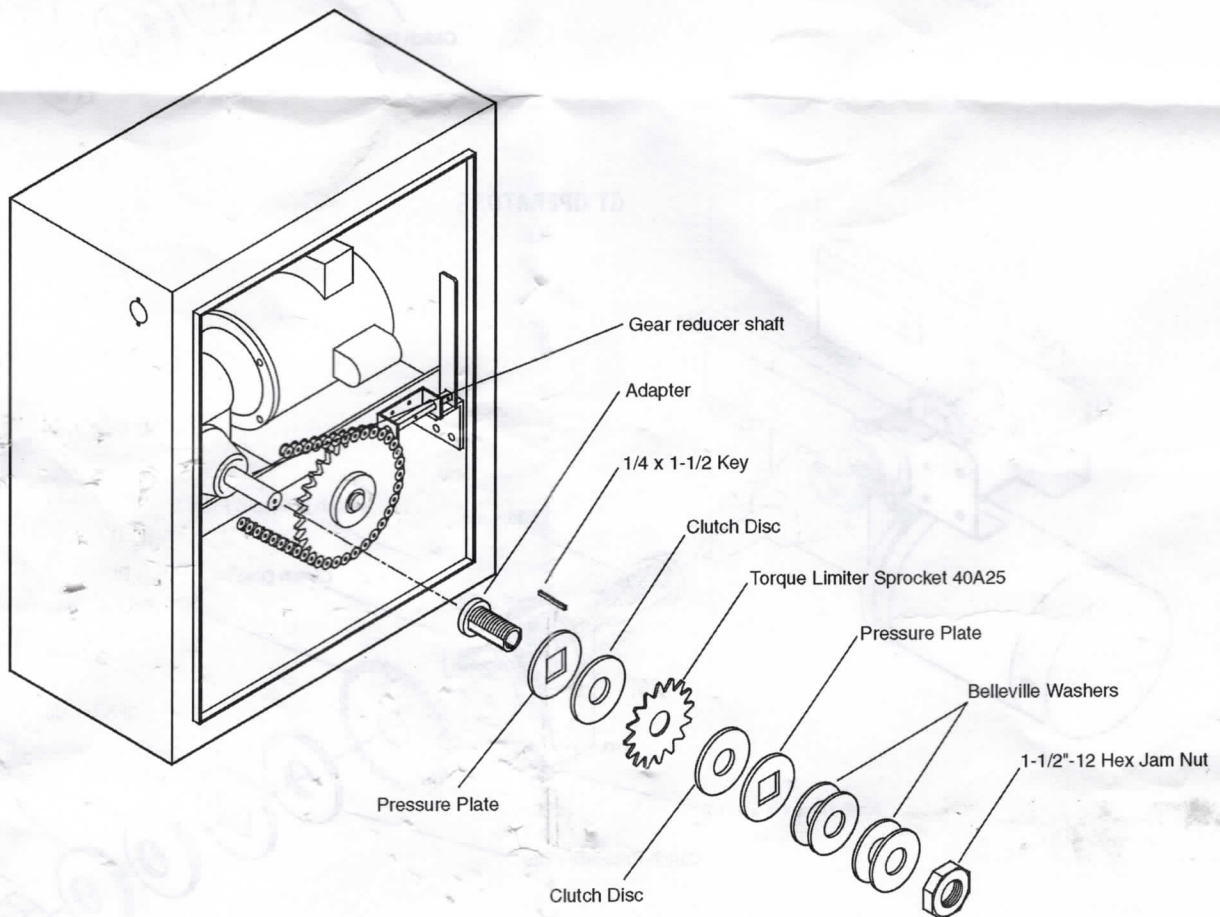
Replacement of clutch assembly for model SL580/590/595 and GT operators.

1. Disconnect power from the operator.
2. Remove cover to access the clutch assembly.
3. Remove the master link and take the chain off.
4. Remove hex head nut from clutch shaft.
5. Remove hex nut, washers, pressure plates, sprocket, and clutch disc.
6. Reverse steps 2-5 to install new clutch using new hardware provided in kit.
7. Restore power to the operator.

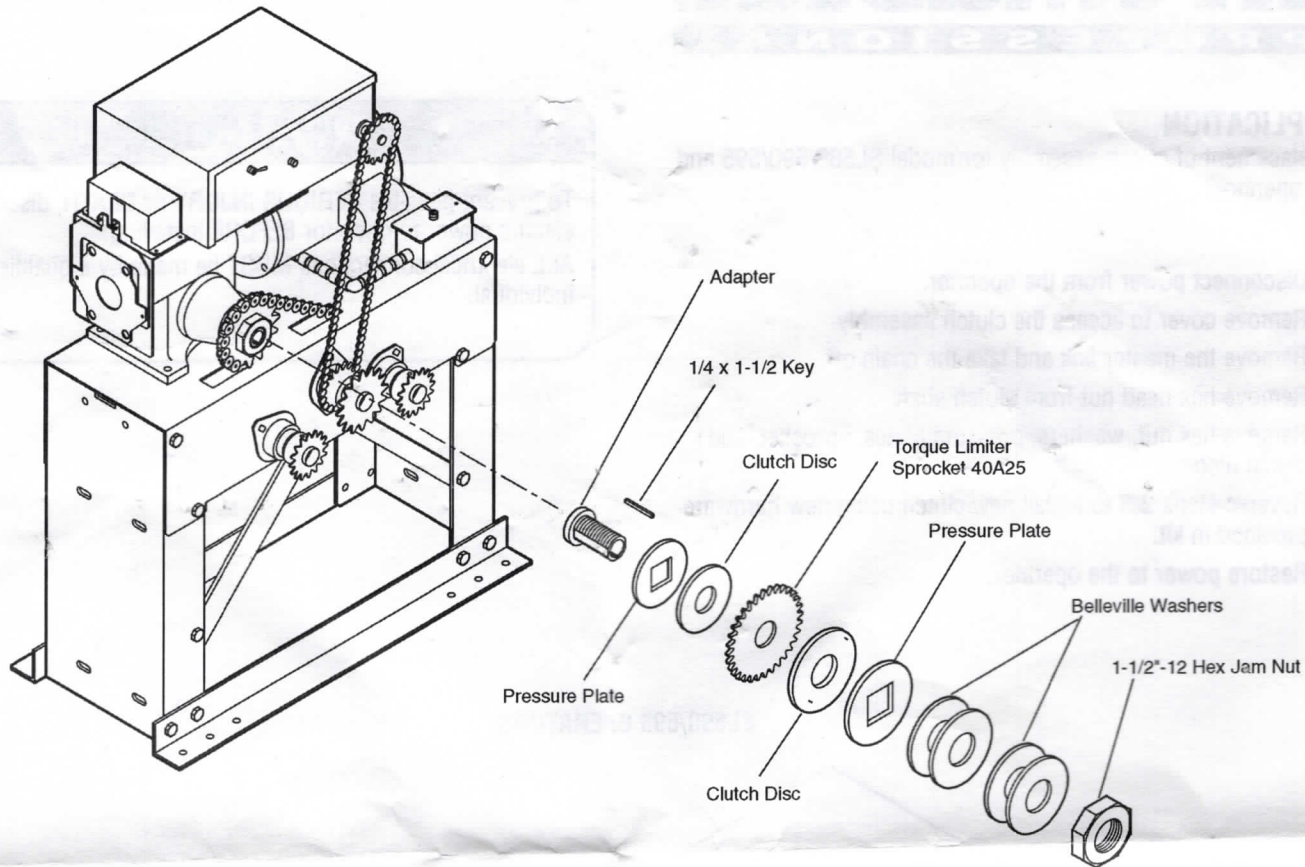
WARNING

To prevent possible **SERIOUS INJURY** or **DEATH**, disconnect electric power to operator **BEFORE** installing.
ALL electrical connections **MUST** be made by a qualified individual.

SL590/595 OPERATORS



SL580 OPERATOR



GT OPERATORS

