

AUJ SERIES

Extended-Duty Jackshaft Commercial Door Operator



Equipped with
Floor Level Disconnect

Product No. See table below

DOOR TYPE	MAXIMUM DOOR AREA (SQ. FEET)	
	Fiberglass	330
Steel-24 Ga. Steel-22 Ga. Aluminum	310	375
Wood Steel-20 Ga. Steel-24 Ga. insulated	280	340
Steel-16 Ga. Steel-20 Ga. insulated	195	275
Steel-16 Ga. insulated	145	225
Operator size to use →	1/3 HP	1/2 HP

MODEL	HP	VOLTAGE & PHASE
AUJ3311	1/3	115V 1P
AUJ3321		230V 1P
AUJ3323		230V 3P
AUJ3343		460V 3P
AUJ5011	1/2	115V 1P
AUJ5021		230V 1P
AUJ5023		230V 3P
AUJ5043		460V 3P

Extended-duty jackshaft garage door operator for vertical and high lift sectional doors.

RATINGS

- Maximum duty cycle: 35 cycles per hour, 100+ cycles per day
- Maximum door height: 24 feet
- Shipping weight: 90 lbs.

FEATURES

- Solid state control circuit
- Constant pressure required to close if no entrapment devices are installed
- All Steel frame
- Adjustable friction clutch
- 3/4" Shafting and 1" Jackshaft
- Pillow block bearings on output shaft
- Floor level disconnect
- #41 Chain and Sprocket, 1/3 & 1/2 HP
- Solenoid brake standard
- Motor overload protection
- Wired to accept reversing devices
- Internally adjustable limit switches
- High starting torque, continuous duty motor
- 24-Volt control circuit with OPEN, CLOSE, and STOP 3-button station
- OPEN button (and single button) will automatically override down travel and reverse door to the full open position
- External terminals for single button (residential type) radio control

FACTORY OPTIONS

- Linear photo beam kit: P/N HAE00056
- MVP-MR 3-channel open-close-stop modular receiver (installed): P/N 2650-159

WARRANTY

- 2 years

Solid State Control

AUJ Series

JACKSHAFT OPERATOR WITH FLOOR DISCONNECT

CUSTOMER _____

PROJECT _____

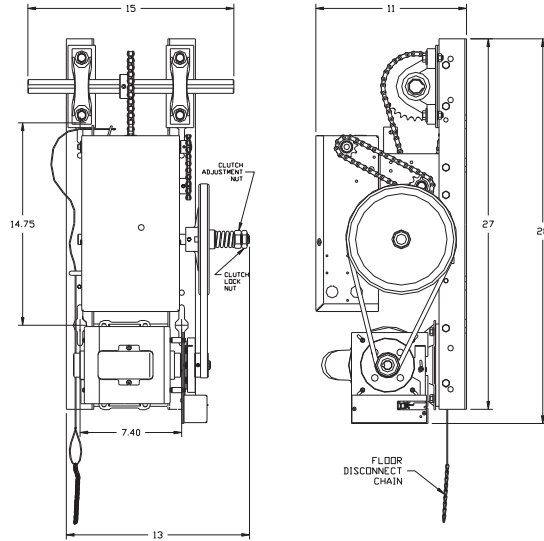
ARCHITECT/ENGINEER _____

CONTRACTOR _____

DRAWING NUMBER _____

DATE _____

SHEET OF _____



ORDERING INFORMATION:

SUPPLY _____ LINEAR OPERATOR(S) MODEL AU J _____ S _____

WITH A MOTOR RATING OF _____ HP, _____ VOLTS, _____ PHASE, _____ HERTZ

FOR A _____ WIDE X _____ HIGH DOOR(S) WITH _____

SUPPLY _____ OPEN-CLOSE-STOP CONTROL STATION(S) IN NEMA _____ ENCLOSURE PER OPERATOR

_____ DRIVE SPROCKET _____ DOOR SPROCKET

AUXILIARY AND OPTIONAL EQUIPMENT AS SPECIFIED BELOW OR ON ATTACHED SHEET:

ARCHITECTURAL SPECIFICATIONS (FLOOR DISCONNECT):

Electric door operator(s) shall be Solid State Control Model AUJ of the jackshaft type, manufactured by Linear LLC and Underwriters Laboratory (UL) listed. Horsepower, voltage and phase will be as required to properly operate the door. Operators will be equipped with two-stage speed reduction (V-belt primary and roller chain and sprocket secondary) and an adjustable slip clutch. A floor level disconnect device will be provided for mechanical disengagement to allow for manual door operation. The operator will be equipped with an integral limit system that provides accurate settings to control the open and close positions of the door and will not be affected by manual door operation or motor removal. The motor and operator will be protected against overload by a thermal protector and will be equipped with a solenoid operated brake with internal expanding 360 degree brake shoe. The operator will have a 24VAC secondary solid state control circuit with advanced switch selectable features, motor load delivered via high amperage, inductive load rated relays. The operator will have provisions for connecting open-close-stop pushbutton stations, radio controls, and external obstruction sensing (reversing) systems. Operator will drive the door at a speed of approximately 11 inches per second.

NOTES:

REFER TO PRODUCT DATA SHEET FOR GENERAL INFORMATION

REFER TO DRAWING _____ FOR WIRING DIAGRAM

LINEAR LLC
1950 Camino Vida Roble Ste. 150
Carlsbad, CA 92008

Phone 800-421-1587
Fax 800-468-1340
Website www.linearcorp.com

