

Carriage House Door Rail Conversion Kit

Installation Instructions

For Models:
CHCR-7/8
CHCR-8
CHCR-10

Linear

(760) 438-7000
 USA & Canada (800) 421-1587 & (800) 392-0123
 Toll Free FAX (800) 468-1340
www.linearcorp.com

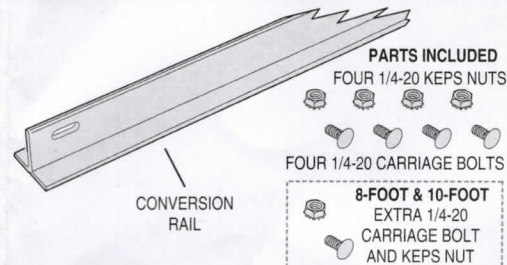
1. PRODUCT DESCRIPTION

Linear's carriage house door rail conversion kit is a garage door operator rail accessory that converts standard rails for installations with heavier carriage house style garage doors. The rolled-steel conversion rail bolts to the top of the standard rail to form a strong "I-beam" rail assembly.

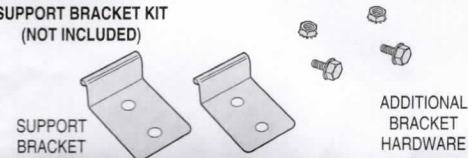
The rail conversion kit is designed for installation on Linear's belt-drive and chain-drive rails. The rail models compatible with the rail conversion kit are:

- HBT7C 7-foot belt-drive rail
- HBT8C 8-foot belt-drive rail
- HCT7C 7-foot chain-drive rail
- HCT8C 8-foot chain-drive rail
- HCT10C 10-foot chain-drive rail

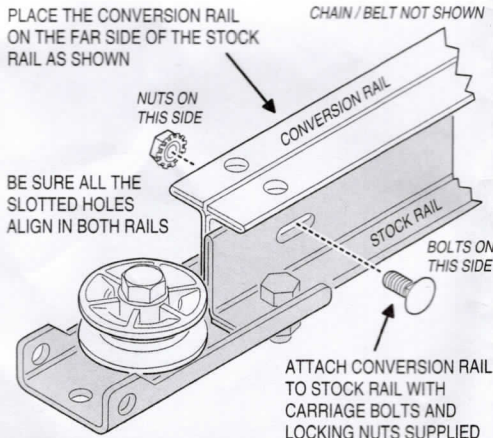
2. KIT PARTS



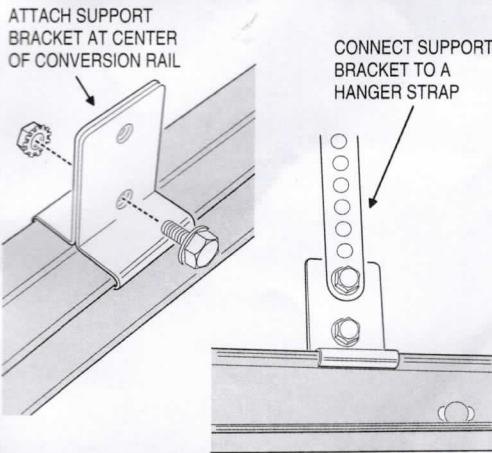
OPTIONAL MODEL CSB SUPPORT BRACKET KIT (NOT INCLUDED)



3. RAIL ASSEMBLY



4. OPTIONAL RAIL SUPPORT BRACKET



LIMITED WARRANTY

This product is warranted to the original consumer against defects in material and workmanship for five (5) years. Linear will repair, or at its option, replace, any device that it finds requires service under this warranty, and will return the repaired or replaced device to the consumer at Linear's cost. Devices must be sent to Linear for service at owner's expense. This warranty does not apply to damage to the product from negligence, abuse, abnormal usage, misuse, accidents, normal wear or tear or due to failure to follow Seller's instructions, or arising from improper installation, storage or maintenance. In no event will Linear be responsible for incidental, compensatory, punitive, consequential, indirect, special or other damages. The remedies provided by this warranty are exclusive. Some states do not allow the exclusion or limitation of incidental and consequential damages, so the above limitation or exclusion may not apply to you. Any warranties implied by law are limited to the time periods set forth above. Some states do not allow limitations on how long an implied warranty lasts, so the above limitation may not apply to you. This warranty gives you specific legal rights, and you may also have other rights which vary from state to state.

For warranty service and shipping instructions contact Linear at the phone number shown below. In order to be protected by this warranty, save your proof of purchase and send a copy with equipment should repair be required. All products returned for warranty service require a Return Product Authorization Number (RPA#). Contact Linear Technical Services at 1-800-421-1587 for an RPA# and other important details.