

Safety Beams Alignment Tips

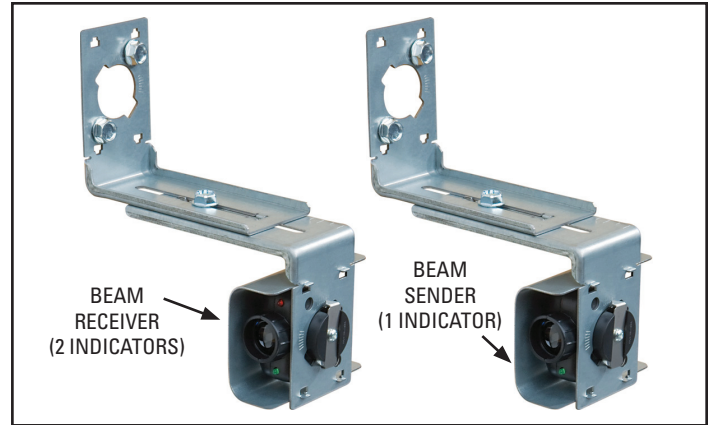
Infrared photoelectric safety beams are **included** in Linear's residential garage door operator line (LDO, LSO, LCO, & LDCO Models) and are **available** for the commercial operator line. These safety beams are required by UL 325 as secondary entrapment protection devices.

The safety beams must be present and functioning or the operator will indicate a beam fault and prevent activation.

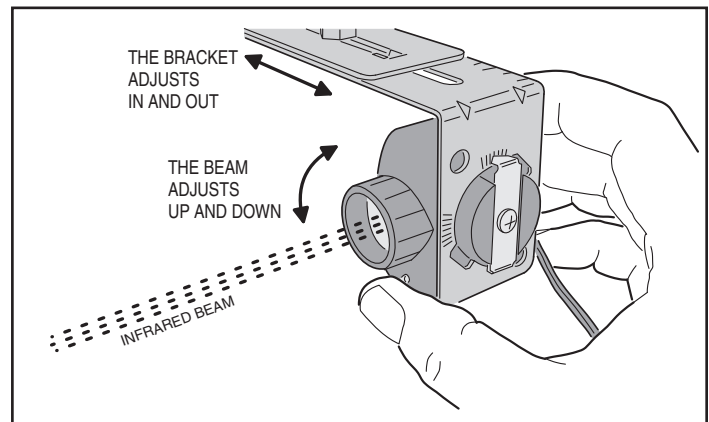
Many reported problems with safety beams can be traced to misalignment of the beam pair. In addition, over time, beam units might get knocked out of alignment in the garage by power sprayers, mowers, yard tools, bikes, etc.

To prevent misalignment and to achieve optimum performance, it is recommended to make the following beam and beam bracket adjustments **until the receiver's red indicator remains stable**. A flickering red indicator is not desired, it shows that the beams are only partially aligned.

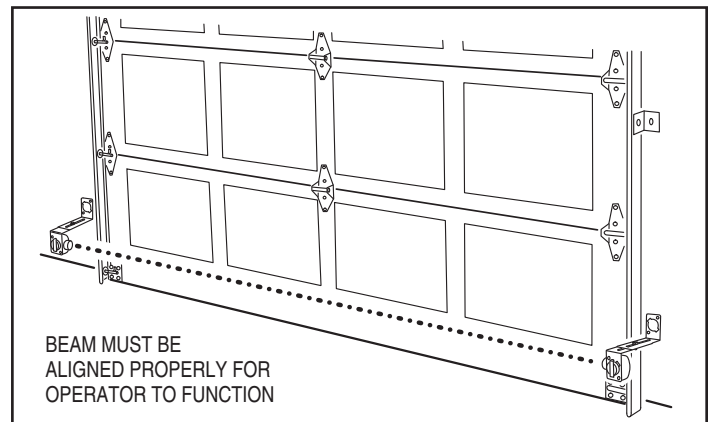
1. To ensure that the operator has power and the beam wiring is functioning, verify that the green indicators are lit on both the beam sender and receiver.
- ✓ **NOTE: On Model LDC0800 operators, the beams go into "sleep mode" and turn off five minutes after the door closes. Press the wall station's light button or cycle the door to turn the beams on before proceeding.**
2. Start on the receiver side (the beam with the red and green indicators). Verify that the lens area on the receiver is clear of spider webs and debris. Adjust the receiver so it is level with the floor with the lens pointing directly at the sender. Check the bracket fasteners and be sure they are tight.
3. On the sender side (the beam with only the green indicator), verify that the lens area is clear of spider webs and debris. **Stay clear of the beam path during these tests.**
4. Loosen the sender's bracket adjustment screw and adjust the bracket in and out. During this adjustment, note the bracket's extreme in and out positions where the receiver's red indicator starts to flicker. Adjust the bracket to the mid-point between these two positions where the receiver's red indicator lights solid. Keeping this alignment, tighten the bracket's adjustment screw.
5. Rotate the sender beam up and down. During this rotation, note the beam's extreme up and down positions where the receiver's red indicator starts to flicker. Adjust the sender beam to the mid-point between these two positions where the receiver's red indicator lights solid.



HAE00056 Safety Beams on Mounting Brackets



Adjusting Beam



Aligned Safety Beam Units

All these brands are now under one name.

