

User Information Table									
Memory (MEM)	User Name / Information	Channel (CH#) Allocation							
		1	2	3	4	5	6	7	8
1	PRIMARY USER PIN ()								
2									
3									
4									
5									
6									
7									
8									
9									
10									
11									
12									
13									
14									
15									
16									
17									
18									
19									
20									

Channel Function	
CH#	Receiver / Function
1	
2	
3	
4	
5	
6	
7	
8	
0	

Getting Started

There are 8 Channel buttons (keypad no. 1 - 8) in the KPX-7V2 to store functions and these can be programmed for example (1 = Garage Door, 2 = Automatic Gate, 3 = Outside light)

If only a single User Pin and one channel function (Garage Door) is required, proceed to the Quick Set Up Guide. Alternatively for multiple User Pins and / or multiple receivers, follow the Quick Set Up Guide and then proceed to Sections 2 and 3.

1. Quick Set up Guide

1.1 Coding KPX into the Opener

The Opener can only operate from keypads that have been programmed into its receiver. The receiver needs to learn the codes of any keypad / transmitter that will be used by the operator.

- Decide which Channel button (eg. 1 = Garage Door) is to be used to operate your garage door.
- Code the Channel button to the operator's receiver by pressing and holding the Door Code button on the Opener, then select your Channel button and hold for 2 seconds.
- Release the Channel button and pause for 2 seconds.
- Select the same Channel button and hold for 2 seconds.
- Release both the Channel button and the Door Code button.

NOTE: if more than one device is to be controlled (for example: garage door and sliding gate) then repeat this step for each Channel button to be used (record the channel function in the table on the back page of this instruction).

1.2 Program Primary User

Select a PIN code (4 - 8 digits) to be used to operate the keypad and save it using the following steps (or below Short cut Guide):

- Press and hold the FCN button. The Keypad will beep and flash to indicate it is in learning mode. Release button.
- Enter in your new 4 digit User Pin Code and press FCN button.
- Re-enter the same 4 digit User Pin Code and press the FCN button.
- The Keypad will beep and flash to indicate it is exiting learning mode.



WARNING! Record the Primary User PIN Code. If this PIN Code is lost / forgotten the unit has to be sent back to the factory to be reset.

Short cut Guide - Program Primary User



KPX-7V2

Wireless Keypad



Legend:

0 - 9	Pin Code Keys
1 - 8	Channel Numbers (CH#)
CLR	Clear Button
FCN	Function button for programming
Doorbell control	Doorbell control

Proceed to Quick Set up Guide

Wrong Pin Code

If a wrong pin code is entered, a specific sound is heard after pressing the function (FCN) key. The clear (CLR) key must be pressed to start re-entering the pin code. On the fourth consecutive wrong pin code entry, an alarm (light blinks and sound beeps) is triggered for 10 seconds. Every next wrong pin code entry will trigger the alarm. The time out for the wrong pin code is one minute.

The Wireless Keypad has built-in keypad lighting for use at night or in dark areas. The keypad will illuminate upon pressing a button.

Safety Rules

- Install the Wireless Keypad in a location where the garage door is visible, but out of reach of children, at a height of at least 1.5m.
- Watch the moving door and keep people away until the door is completely opened or closed. Do not operate door when persons are near the door.
- Do not allow children to play with door controls or transmitters.

Built in lighting



1.3 Test the Operation of the Keypad

Test operation by entering the User Pin Code followed by selecting a programmed Channel button.

NOTE: Hold the selected Channel button until the channels function activates.

NOTE: by pressing another Channel button (and holding) within 10 seconds from releasing the first Channel button, will activate the second Channel function (eg. 3 = Outside light) without having to re-enter the User Pin Code.

1.4 Change User Pin

To change the User Pin, simply enter the User Pin, then follow step 1.2a - d.

Short cut Guide - Change User Pin



2. Adding / Deleting Users

2.1 Creating New User Pin's

Before creating new User Pins answer the following questions.

- Does this User need access to all Channel functions (eg. Garage Door, Automatic Gate, Outside Lighting) or only one channel (eg. 2 = Automatic Gate).
- Is this User a Normal User with ongoing access or can I program a Temporary User in the KPX-7V2 Keypad and the User Pin will be deleted after so many uses.

Once you have answered the above proceed to code the Keypad using the following steps:

- Press the FCN button, followed by the Primary User Pin Code, then press the FCN button again.
- Select the '1' button, followed by the FCN button.
- Select a Memory (MEM) number between 2-20 and then press the FCN button.

NOTE: The Memory (MEM) number indicates the memory location of the PIN and is used to delete individual User Pin Codes as required. Therefore it is important to record all information on the User Information Table (see over) .

- If you wish to restrict the User to certain Channel functions, enter each channel they are permitted to access (eg. 2 = Automatic Gate, 3 = Outside Light) individually (press 2, pause, press 3, then press FCN button). If User is permitted to have access to all Channel functions skip entering in the channel number and press the FCN button.
- For Normal Users press FCN button and proceed to step f. For Temporary Users enter in the number of times the User Pin can be accessed (1-99 uses) followed by the FCN button.
- Enter in the new 4 digit User Pin and press FCN button.
- Re-Enter the same 4 digit User Pin and press the FCN button.
- The Keypad will beep and flash to indicate it is exiting the learning mode.

Short cut Guide - Creating New User

FCN	PRIMARY USER PIN	FCN	'1'	FCN	MEM (2-20)	FCN	CH#	1	2	FCN	# USES (1-99)	FCN	NEW PIN	FCN	NEW PIN	FCN	FLASHES BEEP
-----	------------------	-----	-----	-----	------------	-----	-----	---	---	-----	---------------	-----	---------	-----	---------	-----	--------------

NOTE: To change the User Pin, simply enter the User Pin, then follow step 1.2a - d in the Quick Set up Guide

2.2 Deleting User Pin's

- Press the FCN button, followed by the Primary User Pin Code, then press the FCN button again.
- Select the '2' button, followed by the FCN button.
- Select the Memory (MEM) number of the User Pin and then press the FCN button.

NOTE: The Memory (MEM) number indicates the memory location of the PIN. Refer to the User Information Table (see over) for Memory number.

- Select the same Memory (MEM) number of the User Pin and then press the FCN button.
- The Keypad will beep and flash to indicate it is exiting the learning mode.
- Test the User Pin has been deleting by following step 1.3. The receiver should not respond.

Short cut Guide - Deleting User

FCN	PRIMARY USER PIN	FCN	'2'	FCN	MEM (2-20)	FCN	MEM (2-20)	FCN	FLASHES BEEP
-----	------------------	-----	-----	-----	------------	-----	------------	-----	--------------

2.3 Clearing the Memory

The KPX-7V2 Keypad contains a factory default pin. The factory default is 0000 and is used clear all memory and reload the factory settings.



WARNING! Reloading the factory settings does not remove Channel information which has been coded into a receiver and the receiver will continue to respond to the KPX-7 Keypad.

If you set the KPX-7V2 back to factory default (0000) you will need reprogram the Primary User and all additional Users.

- Press the FCN button, followed by the Primary User Pin Code, then press the FCN button again.
- Select the '0' button, followed by the FCN button.
- Enter in '0000' followed by the FCN button.
- Re-enter in '0000' followed by the FCN button.
- All memory is now cleared.

Short cut Guide - Clearing the Memory

FCN	PRIMARY USER PIN	FCN	'0'	FCN	'0000'	FCN	'0000'	FCN	FLASHES BEEP
-----	------------------	-----	-----	-----	--------	-----	--------	-----	--------------

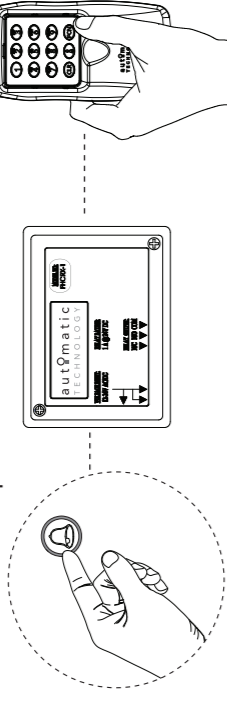
3. Extra Features

3.1 Utilising the Channel 0 button

The KPX-7V2 Keypad has a special Channel 0 feature which allows the Keypad to transmit without the user having to enter a PIN. It is intended to be used for non-secure functions such as a door bell, pedestrian access, lighting, etc. Simply pressing and holding the '0' button for more than 0.5 second will cause the Keypad to transmit the function coded on Channel 0 button.

As an example to code the Channel 0 to operate the door bell you need a FHCRX-1 receiver (available to purchase from dealer) which is connected to your doorbell. Then follow instructions in Section 3.2 Coding KPX-7V2 to other Receivers.

NOTE: Skip the User Pin in step 3.2c.



3.2 Coding KPX-7V2 into the other Receivers

The KPX-7V2 Keypad can operate other functions such as; door bells, automatic gates, external lighting, etc. as long as each functional product is connected to an Automatic Technology Receiver (available to purchase from dealer) The receiver needs to learn the codes of any keypad / transmitter that will be used by the operator.

- Decide which Channel button (eg. 2 = Automatic Gate, 3 = Outside light) is to be used to operate your desired function.
- Code the Channel button to the operator's receiver by pressing and holding the coding button** on the Receiver.
- Enter in your User Pin Code and select the chosen Channel button and hold for 2 seconds.
- Release the Channel button and pause for 2 seconds.
- Select the same Channel button and hold for 2 seconds.
- Release both the Channel button and the coding button on the Receiver.

***: The coding button to code the KPX-7V2 into the receiver is different depending on the receiver. For Example:

Door Code = Garage Door Opener
SW1 = FHCRX-1 / FHRX receiver
Logic console, DCB-05 and NeoSlider = See below 3.3

NOTE: When coding the Channel 0 button, skip entering the User Pin in step 3.2c and continue by pressing the 0 button and holding for 2 seconds.

3.3 Coding KPX-7V2 into Logic Console, DCB-05 and NeoSlider

The Logic Console, DCB-05 and NeoSlider all have LCD screens to display prompts. To code the KPX-7V2 keypad into the device;

- Press NEXT on the device to navigate to Menu 1 (Coding Transmitters)
- Press SET to enter code set procedure.
- The device will beep and prompt to press one of the keypad / transmitter buttons.
- Decide which Channel button (eg. 2 - Automatic Gate) on the keypad is to be used to operate your desired function.
- Enter in your User Pin Code and select the chosen Channel button and hold for 2 seconds.
- Release the Channel button and pause for 2 seconds.
- Select the same Channel button, hold for 2 seconds and release.
- The device will now show the transmitter's record, with a cursor on the field for the button being coded. Use the UP/DOWN buttons to select the function for the button.
- Press SET to save the settings.

4. Mounting and Maintenance

4.1 Attaching the KPX-7V2 to the Wall

- Choose a convenient wall location where the door is visible, but out of reach of children at a height of at least 1.5meters from the floor.
- Use the mounting bracket as a template. Mark and drill two 6mm holes and affix the mounting bracket with two wall plugs and screws (supplied) Fig 4.1.
- Slide the KPX-7V2 on to the mounting bracket and secure it with a screw Fig 4.2.

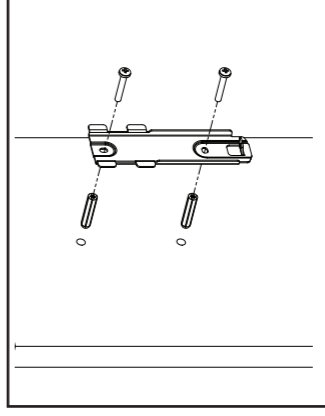


Fig 4.1

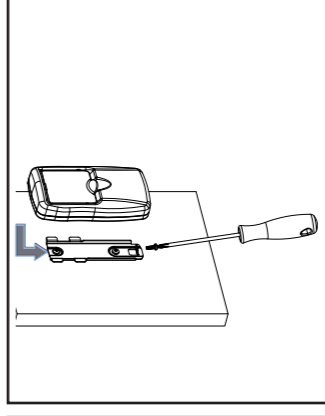


Fig 4.2

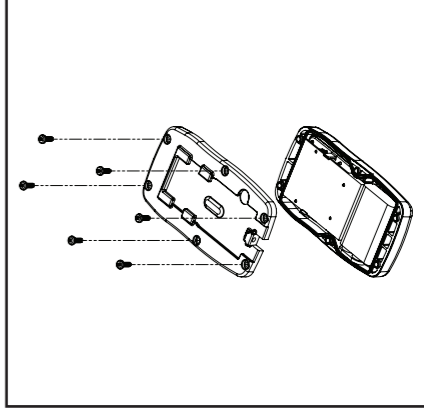


Fig 4.3

4.2 Changing Batteries

The KPX-7V2 Keypad has a built-in battery monitor. If the battery power is low, the first depress of any key will produce a distinctive warning. If the battery voltage drops further, the keypad will stop transmitting and will produce a continuous long beep.

- Remove the back cover of the KPX-7V2 by removing the six (6) screws Fig 4.3.
- Remove the three (3) batteries and dispose of them properly.
- Install new AAA size batteries.
- Install the back cover and secure with the six (6) cover screws.