

2 RELAY EXTERNAL MINI RECEIVER



MANUAL
INSTALLATION



MINI 2 OUT
Part No. RECTSMINI2OUT

*Thank you for choosing this product.
You are recommended to read carefully this manual before installing the product.*

1 - DESCRIPTION

1A - Introduction

The receiver type MINI 2 OUT is, designed for the control of automatic closing systems and anti-burglar systems thanks to its very high security coding system (Keeloq®Hopping code). (The operating frequency is among the European harmonized frequencies; the product fully complies with the EMC European Regulations (CE).) The code sent by the transmitter changes at every activation, avoiding any scanning and copying risk. A special algorithm allows to keep the transmitter and receiver.

The receiver has 2 output relays (with NO and NO/NC contacts, and can be connected to many types of mechanics (gate, garage door, rolling shutters, awnings, anti-burglar appliances, lighting, etc.).

The programming can be done in self-learning mode by means of the learn button.

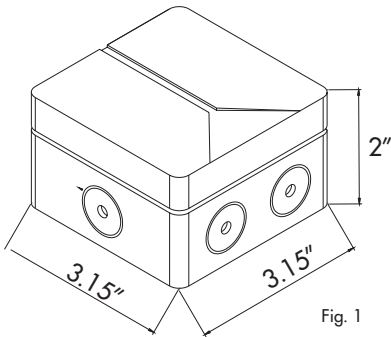
The housing protection of IP65 allows external installations.

The appliance full complies with the European Regulations
89/336/EEC, 73/23/EEC ,EN 60336-1 and FCC Part 15.



2 - TECHNICAL SPECIFICATIONS

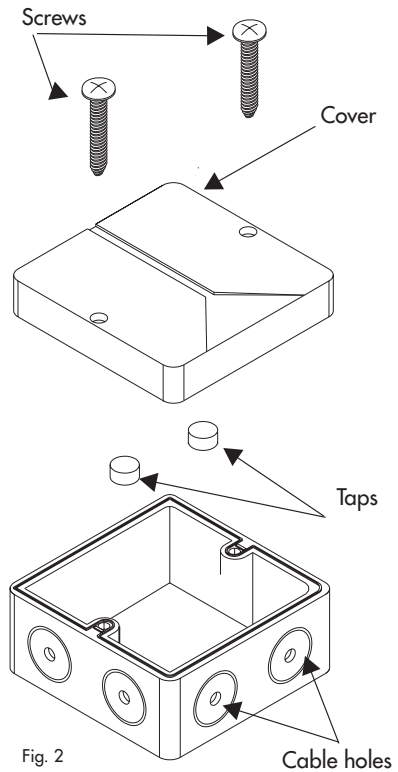
Receiver type	Superheterodyne
Carrier frequency	433,92 MHz
Local oscillator frequency	6.6128 MHz
Demodulation	AM/ASK
Local Oscillator	VCO / PLL
Channel width	> 25 KHz
Intermediate frequency	10.7 MHz
Input sensitivity	-115 dBm
Local oscillator spurious emissions	< -57 dBm
Input load:	50 Ohm
Power supply:	12 / 24 Vac/dc
Consumption:	
Steady / 12 Vdc (2 relays excited)	1,5 mA / 40 mA
Steady / 24 Vdc (2 relays excited)	1,4 mA / 48 mA
Max applicable power	24VA
Relays	2
Contacts	NO, NO/NC
Memory capacity	85 user codesTX
security code	Rolling code
Max code combination number	2 ⁶⁴
Operating temperature	-4°/+158°F
Housing protection	IP65
Weight	.29 lbs
Overall dimensions (mm)	3.15 x 3.15 x 2"



3 - COMPOSITION

The receiver is composed by :

- 1 box with electronics
- 1 cover
- 2 screws
- 2 gumm caps
- 2 screws with plugs
- 1 antenna
- 1 antenna net



4 - INSTALLATION

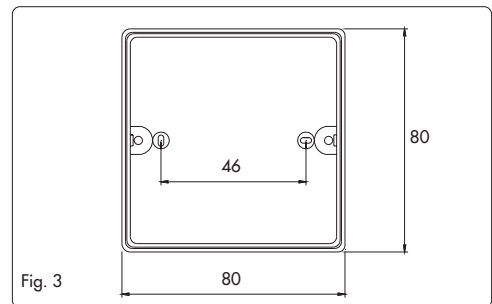
4.1 - Positioning

The receiver allocation is very important for the best operation of the system. Place the receiver far from interference sources as big magnetic fields, informatic systems, radio emissions. The installation and the antenna positioning is very important for the best receiving as well.

4.2 - Fixing

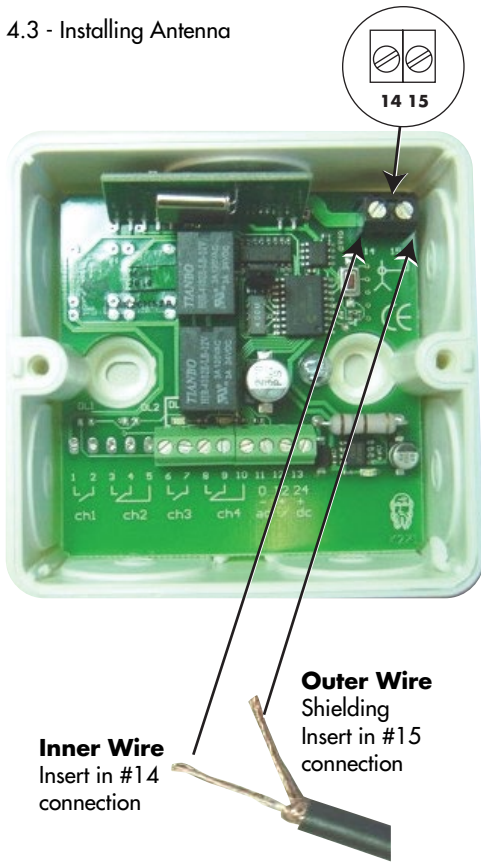
Remove the receiver cover.

Fix the box by using the screws and the plugs supplied



At the end place the caps supplied over the holes to protect the screws head.

4.3 - Installing Antenna



433 MHz Antenna Kit

5 - LAYOUT CONNECTIONS

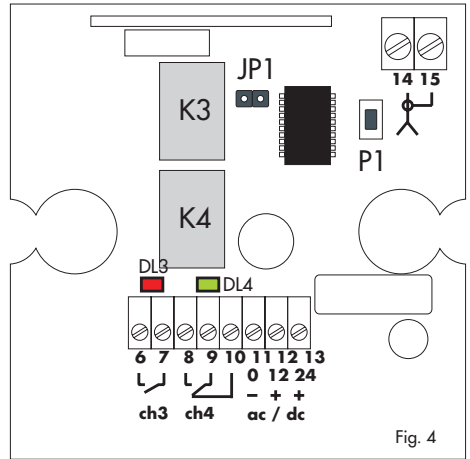


Fig. 4

5.1 - Contacts

- terminal 6 = Contact NO Relay3
- terminal 7 = Contact C Relay3
- terminal 8 = Contact NO Relay4
- terminal 9 = Contact C Relay4
- terminal 10 = Contact NC Relay4
- terminal 11 = Input supply Common
- terminal 12 = Input supply +12 Vac/dc
- terminal 13 = Input supply +24 Vac/dc
- terminal 14 = Pole Antenna
- terminal 15 = GND Antenna

5.2 - Relay K4 Configuration

The relay K4 can be configured in step mode. Close the jumper JP1.



6 - TX PROGRAMMING

Memorizing

To memorize transmitters:

- Press **P1** until the red LED **DL3** Turns on 1st of Relay.
- Release **P1** and press button **A** on the transmitter.
- Press **P1** again until green LED **DL4** turns on Last Relay.
- Release **P1** and press button **B** on the transmitter.
- When both LED's turn off, memorization is complete.

7 - USABLE TRANSMITTERS

The receiver type MINI 2 OUT, can be used with the following types of transmitters:



Stingray 433TSPW1V, 433TSPW2V



Monarch 433TSPW1K, 433TSPW2K

8 - DELETING TRANSMITTERS

Press **P1** until the red LED **DL3** turns on.

Press button **A** on the transmitter to delete it from the receiver.

Operation will be confirmed by **DL3** and **DL4** blinking twice.

To delete button **B** press **P1** twice.

At this point the second red LED **DL4** will flash.

Press button **B** on the transmitter to delete.

Deleting all Transmitters

Keep the button **P1** pressed down until the first red led **DL3** switches on, release it, push it again and keep it pushed down until 3 blinks of the red led **DL3** and green led **DL4** occur. In this way the memory is completely cancelled.

9 - MEMORY FULL

In case of full memory, that means **85** transmitters are already stored, if one tries to store an extra transmitter, a sequence of 3 blinks of **DL3** and **DL4** occurs and the operation fails.

Notice

Any changes or modifications on equipment not expressly approved by the Transmitter Solutions could void the user's authority to operate with the equipment.

GUARANTEE

The warranty period of Transmitter Solutions receivers is 24 months, beginning from the manufacturing date of the transmitter.

During this period, if the product doesn't operate correctly, due to a defective component, the product will be repaired or replaced at the sole discretion of Transmitter Solutions. The warranty does not extend to the receiver case which can be damaged by conditions outside the control of Transmitter Solutions.



2480 South 3850 West, Suite B
Salt Lake City, UT 84120
(866) 975-0101 • (866) 975-0404 fax
www.transmittersolutions.com