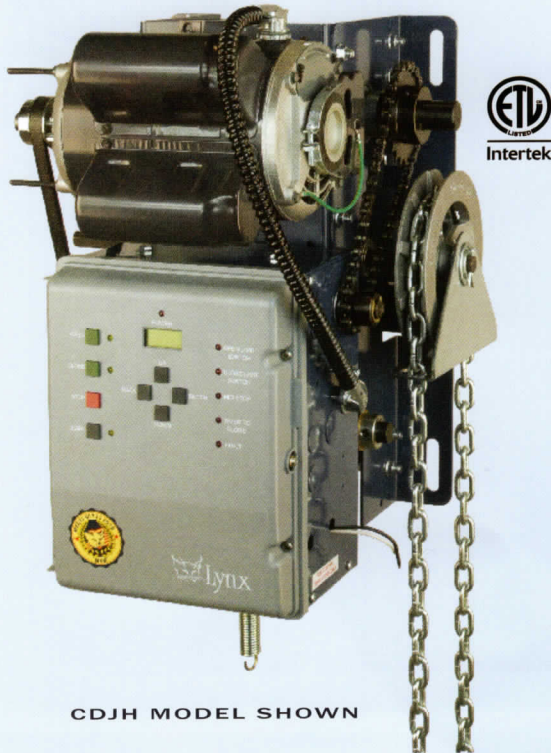


Continuous DUTY JACKSHAFT



CDJH MODEL SHOWN

CDJ

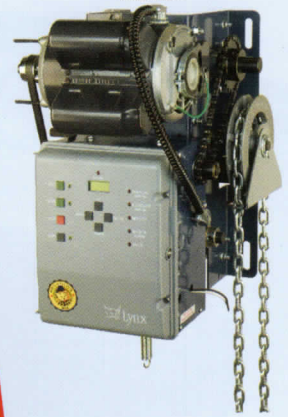
Continuous Duty Jackshaft Operators are engineered for high lift & vertical lift sectional doors, rolling doors, and rolling grilles.

FEATURES

- 1/2 HP, 3/4 HP, and 1 HP - 115V/230V-1 Phase Motor
- 208/230/460/575V-3 Phase Motor
- 3 Button station (NEMA 1)
- 1650 RPM, high starting torque motor with overload protection
- Inherent Mechanical Brake (I.M.B)
- LX 100 BOARD Standard Features (See Accessories cut sheet for more details)
- B2 Mode, C2 Mode, D1 Mode, E2 Mode, T Mode, TS Mode
- On board, Open, Close, & Stop for ease of setting limits
- Photo-eyes included
- Pre-wired to accept sensing devices
- Ground level disconnect for manual operation
- 24 Volt accessory power
- On board (372 MHz) receiver capable of programming up to 20 transmitters
- External receiver connection
- NEMA 1 Electrical enclosure
- Adjustable friction clutch
- Maximum Output Revolutions - 45
- Primary Drive: Heavy Duty 4L V-Belt
- Secondary: #41 CHAIN / SPROCKETS
- Output: #50 CHAIN / SPROCKETS
- 32 RPM output shaft speed
- Door speed determined by the door system installed
- Standard sprockets:
 - Sectional: 50B12 x 1" bore to 50B18 x 1" bore OR 50B18 x 1 1/4" bore
 - Steel Rolling: 50B12 x 1" bore to 50B24 x 1 1/4" bore
- Warranty
 - 2 years on parts and motor

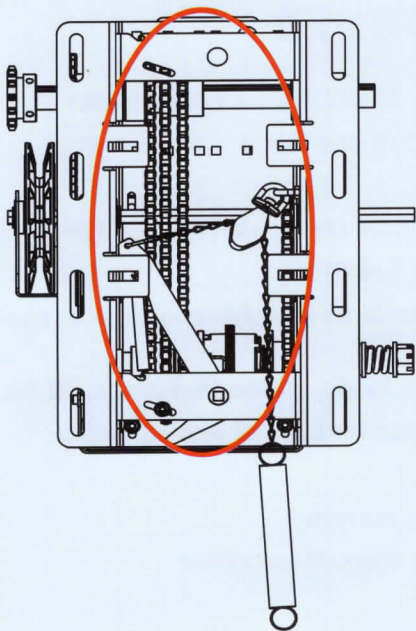
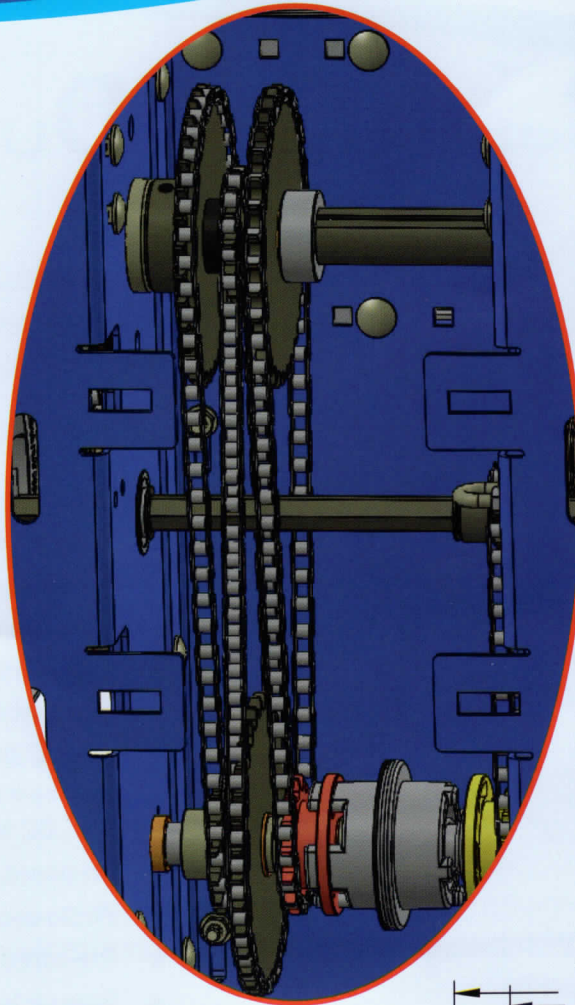
CDJ Series Options

	STANDARD	OPTIONAL	
	INHERENT MECHANICAL BRAKE	HOIST	SOLENOID BRAKE
CDJ	X		
CDJH	X	X	
CDJB	X		X
CDJBH	X	X	X



Inherent Mechanical Brake

Our I.M.B. is highly effective through the use of multiple gears, chains, and bushings which provide improved motion control and stability.



Intertek

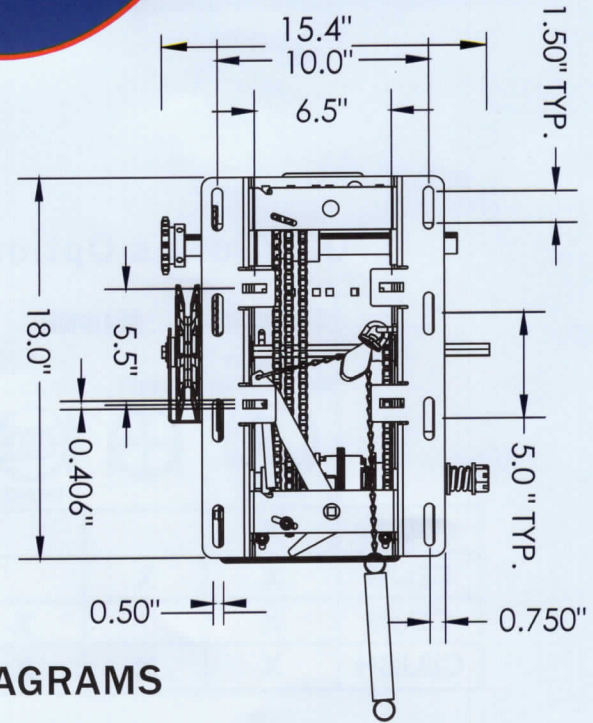
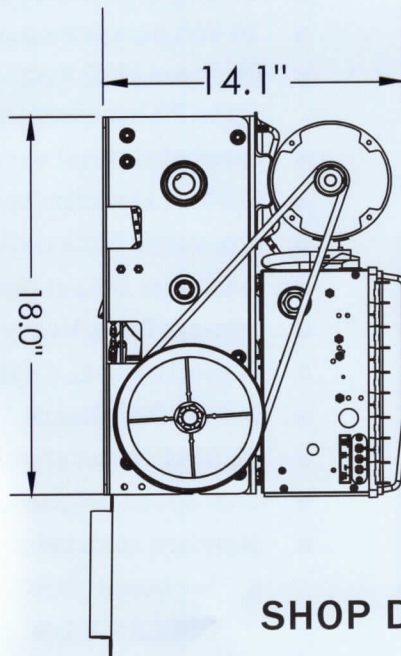


PROUDLY ASSEMBLED IN NORTH AMERICA

READY TO ORDER?

Please have the following information available:

- Optional chain hoist or solenoid brake
- Height and width of the door
- Shaft size
- HP/Voltage
- Rolling or sectional door
- Number of transmitters needed
- Antenna needed



SHOP DIAGRAMS

800-233-3599
ARIZONA

101 N. 57th Ave.
Phoenix, AZ
85043

800-234-5969
NEW JERSEY

25 Empire Blvd.
South Hackensack, NJ
07606

800-338-5399
OHIO

111 Weires Dr.
Archbold, OH
43502

888-589-5969
QUEBEC

175 Upper Eddison Ave.
St. Lambert, QC
J4R 2R3

888-839-5969
ONTARIO

6311 Vipond Dr.
Mississauga, ON
L5T 1T7