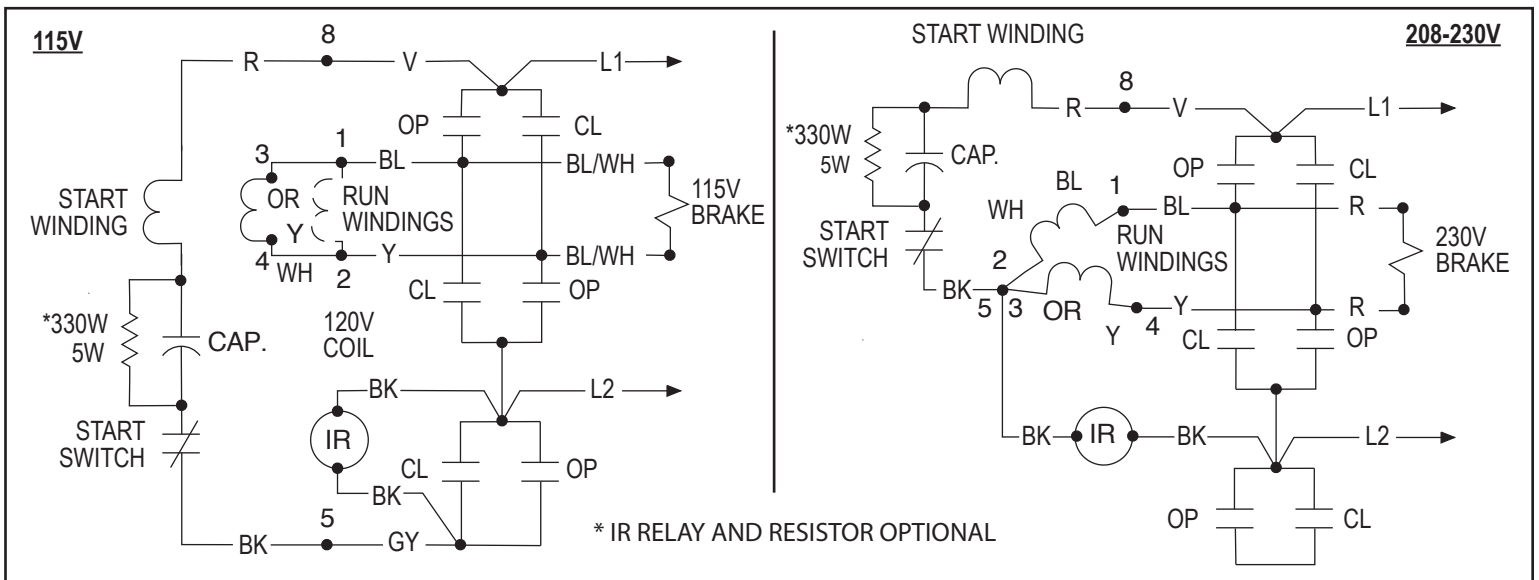
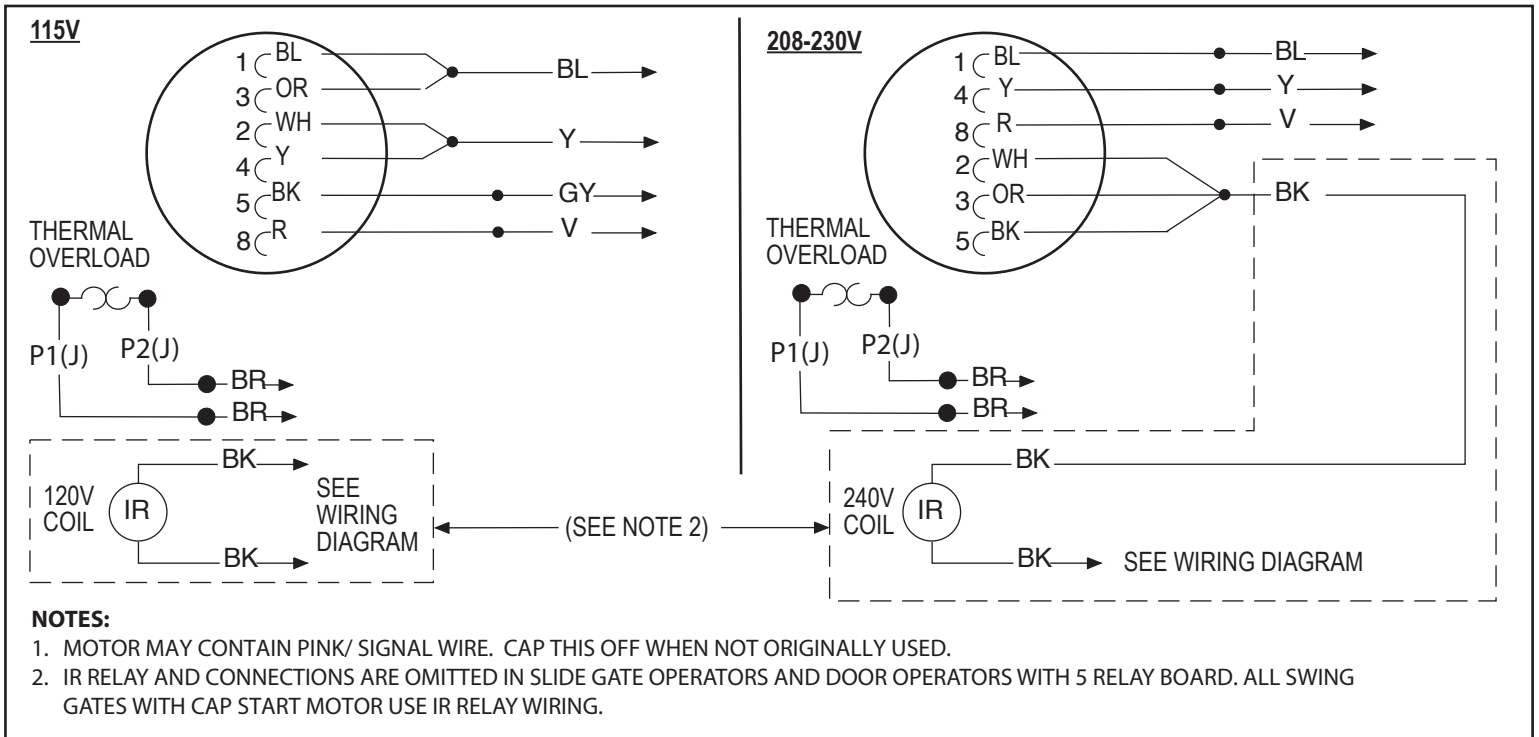


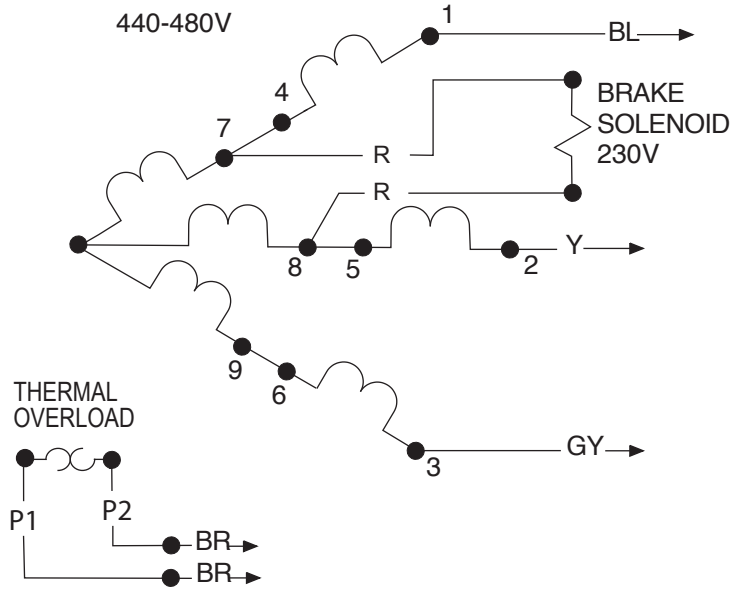
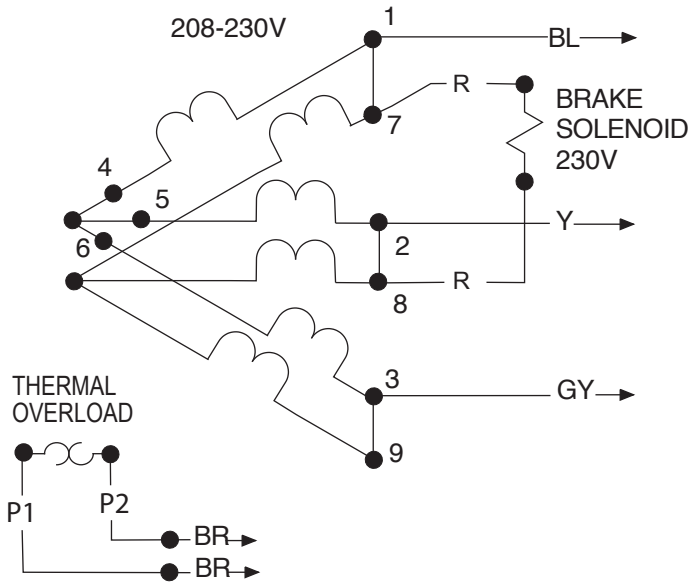
# MOTOR CONNECTIONS

## SINGLE PHASE CAP. START MOTORS



# MOTOR CONNECTIONS

## \*3 PHASE MOTOR WIRING



\* IF MOTOR RUNS IN THE WRONG DIRECTION, INTERCHANGE THE BLUE AND YELLOW WIRES THAT CONNECT CONTACTOR TO MOTOR. MAKE THIS CHANGE WITHIN MOTOR WIRING ACCESS COVER

## WIRING FOR LIMITED DUTY MOTORS

