

RED/GREEN LIGHT CONTROL KIT

FOR USE WITH LOGIC 2 OR 3 MODEL APT, T, AND GT OPERATORS
ACCESSORY P/N: RDGRNCARD

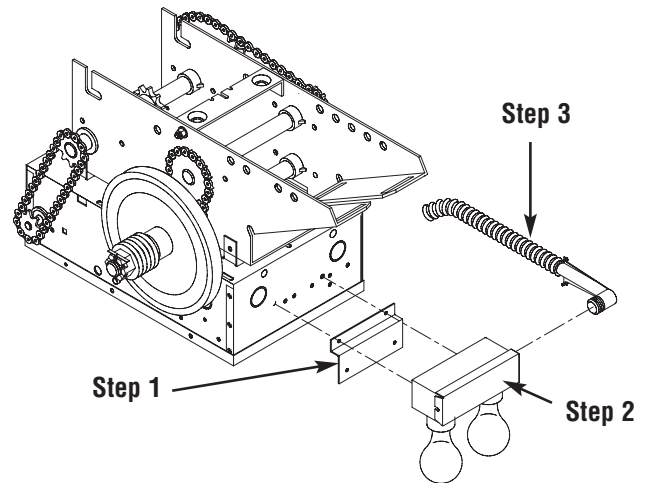
⚠ WARNING

To prevent possible **SERIOUS INJURY** or **DEATH** from electrocution, disconnect electric power to operator **BEFORE** installing.

ALL electrical connections **MUST** be made by a qualified individual.



WARNING: This product can expose you to chemicals including lead, which are known to the State of California to cause cancer or birth defects or other reproductive harm. For more information go to www.P65Warnings.ca.gov



INSTALLATION

MOUNT THE LIGHT BOX

STEP 1:

Attach mounting bracket to the electrical box with the self-threading screws (2) provided.

STEP 2:

Remove light box cover. Fasten light box to mounting bracket with self-threading screws (2) provided.

STEP 3:

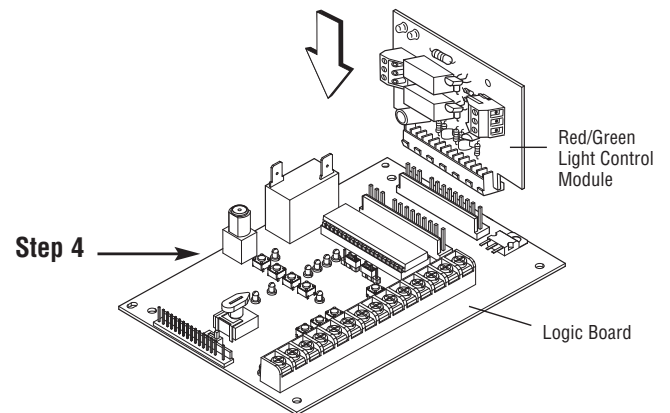
Attach flex conduit to electrical box.

STEP 4:

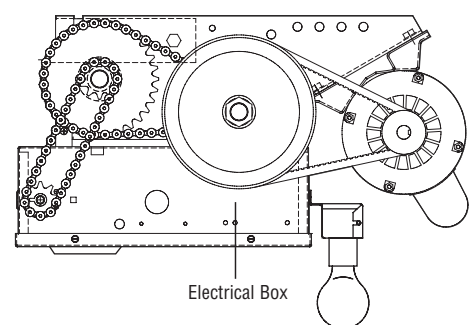
Insert Red/Green Light Control Module into either of the two slots located on the logic board (see step 4 illustration).

NOTE: To avoid damage to relays, do not exceed the following:

- Red light output - 75W, 120V incandescent bulb or 3A, 250VAC (Resistive load).
- Green light output - 75W, 120V incandescent bulb or 3A, 250VAC (Resistive load).



Side View



STEP 5: (FIGURE1)

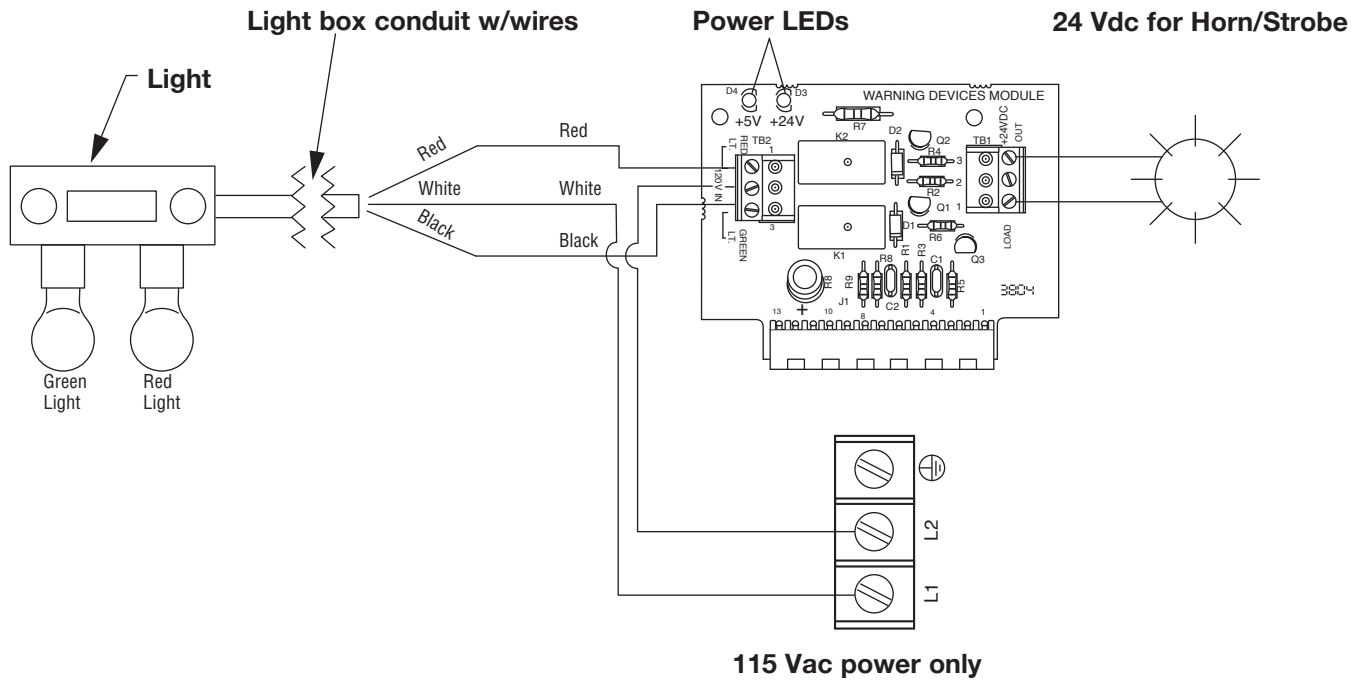
Complete wiring connections as follows:

- Connect red wire to red light terminal on the Red/Green Light Control Module connector.
- Connect black wire to green light terminal on the Red/Green Light Control Module connector.
- Connect white wire to L1 (NEUTRAL) on the power terminal strip.
- Connect black jumper from L2 (HOT) on the power terminal strip to (120V IN) terminal on the Red/Green Light Control Module connector.

STEP 6:

Install red and green light bulbs (not provided). Maximum wattage should not exceed 75 watts.

Figure 1



OPTIONAL MID-STOP PROGRAMMING:

LOGIC 3

To Program open or down (close) Mid-Stop:

1. Open the door to set close Mid-Stop or close door to set open Mid-Stop.
2. Turn selector dial to "PROGRAM."
3. Press the "MID SET" button on logic board.
4. Press the OPEN button for open Mid-Stop, wait until the door reaches the desired Mid-Stop height, then press the STOP button.

OR

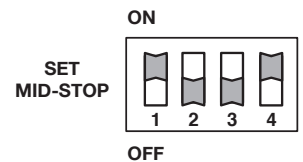
Press the CLOSE button for down Mid-Stop, wait until the door reaches the desired Mid-Stop height, then press the STOP button.

5. Press the MID SET button to complete programming.
6. Turn selector dial back to desired wiring type.

LOGIC 2

To Program open Mid-Stop:

1. Close the door.
2. Set dip switches to "Set Mid-Stop".
3. Press open (the door will begin moving).
4. Press stop when the desired Mid-Stop height is reached.
5. Return the dip switches to the desired wiring type (C2, B2, etc.). The door will now stop at this height every time the door is opened.



LIGHT CONTROL MODULE OPERATION

The green lights on the option board will turn on if the board is seated properly and the power is on. When the door reaches the full open position or programmed mid-stop, the timer circuit will be activated. The green lamp holder will receive power. If the timer has not been set, the red lamp holder will receive power when the door starts to close and until close limit is activated. If the timer has been set, the red lamp holder will receive power as indicated by the chart below.

NOTE:

A) The green lamp holder will never receive power if the timer is set to ten seconds or less. The red lamp holder will blink for one second on and one second off whenever the door is moving, even if the timer to close has not been programmed.

B) The 24 Vdc output is for the addition of an optional Horn/ Strobe. When the operator is running OPEN or CLOSE and the RED warning light is flashing, the output will activate the Horn/ Strobe.

TIMER SETTING	RED LAMP HOLDER RECEIVES POWER
Greater than or equal to 10 seconds	10 seconds before door starts to close and until close limit is activated
Less than 10 seconds	Immediately after reaching open limit or mid-stop

Wiring Mode	Up Mid-Stop	Down Mid-Stop
B2, C2, E2	Stop movement, wait for user input: 3-Button Control Station will OPEN or CLOSE on command Single Button Control/Radio will OPEN on command.	Down Mid-Stop disabled
D1	Up Mid-Stop disabled	Down Mid-Stop disabled
T, TS, FSTS	Stop movement, wait for user input: 3-Button Control Station will OPEN or CLOSE on command Single Button Control/Radio will OPEN on command. If timer to close set is set for up Mid-Stop, timer to close will close the door	Stop movement, then count down timer to close timer & auto close OR User input during timer to close countdown: 3-Button Control Station will OPEN the door, CLOSE the door, or STOP the countdown Single Button Control will CLOSE on command Radio will OPEN on command Red/Green enabled at Mid-Stop
Failsafe B2, Failsafe C2	Stop movement, wait for user input: 3-Button Control Station will OPEN or CLOSE on command Single Button Control/Radio will OPEN open command	Down Mid-Stop disabled
Failsafe D1	Up Mid-Stop disabled	Down Mid-Stop disabled
Failsafe E2	Stop movement, wait for user input: 3-Button Control Station will OPEN or CLOSE on command	Down Mid-Stop disabled

