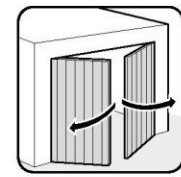


Swing door fitting



- converts the SOMMER synoris to a swing door opener



Allows the installer to modify the Sommer synoris garage door opener to use on a swing door application by providing a fast and simple installation. The fitting fits easily onto the existing motor and allows swing doors to open up to a nine foot door opening.

Included are the swing arms and all fittings for the installation. The openers safety photo eyes will properly work to ensure the right direction for the swing door operation.



Swing door fitting (item no.1501V000)

- ▶ Economical option for swing doors
- ▶ Converts the SOMMER synoris to a swing door opener
- ▶ Photo eyes work in proper direction for swing doors
- ▶ For doors up to 9 ft. opening
- ▶ Adjustable fitting

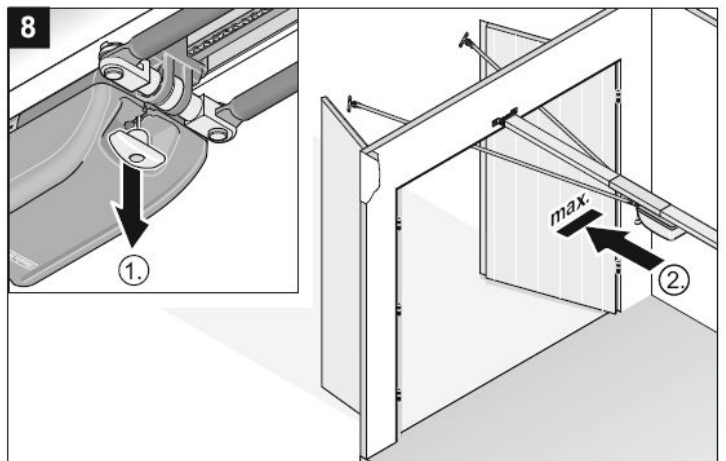
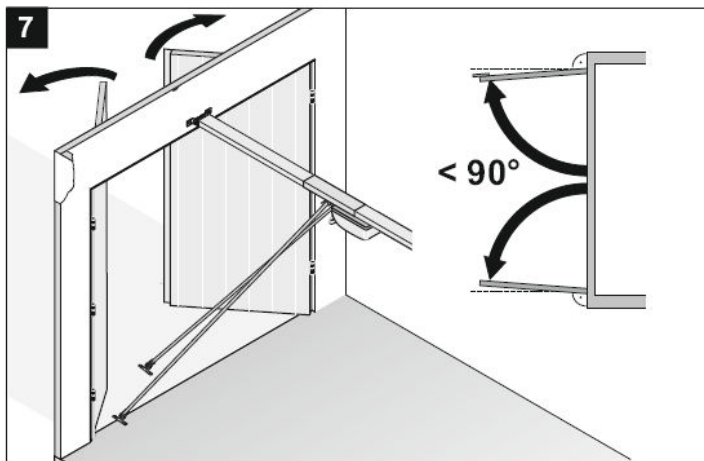
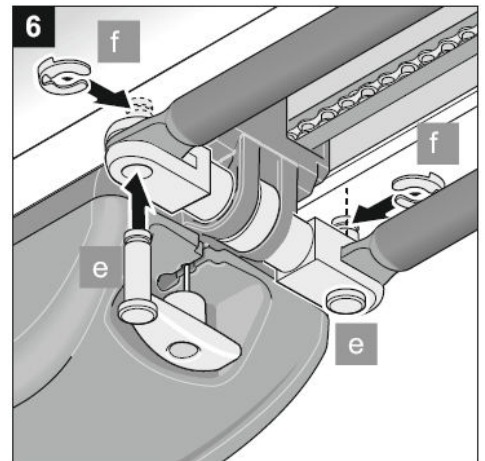
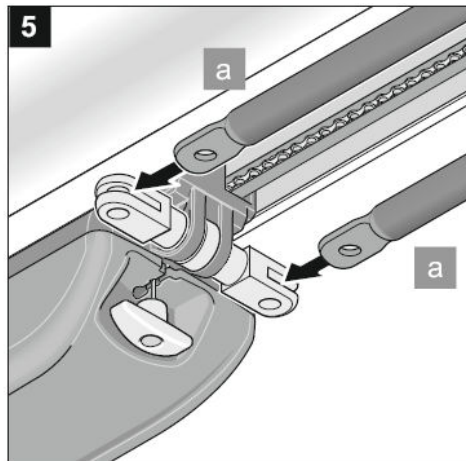
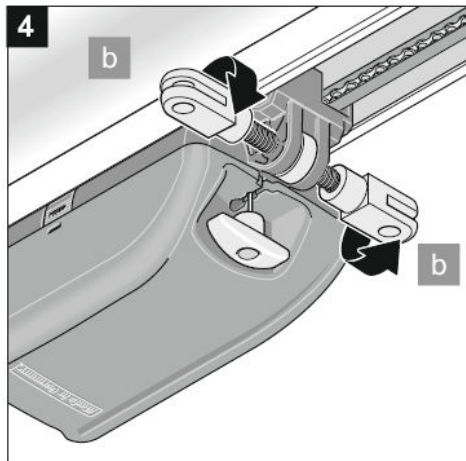
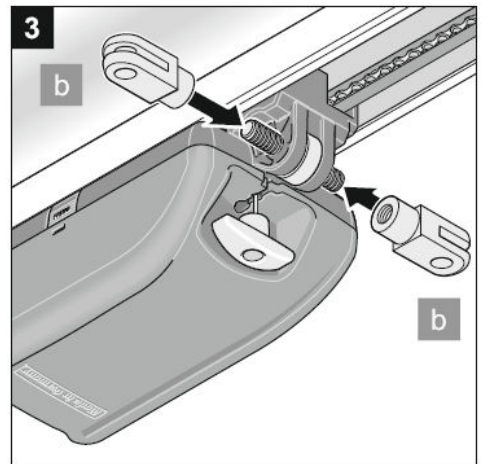
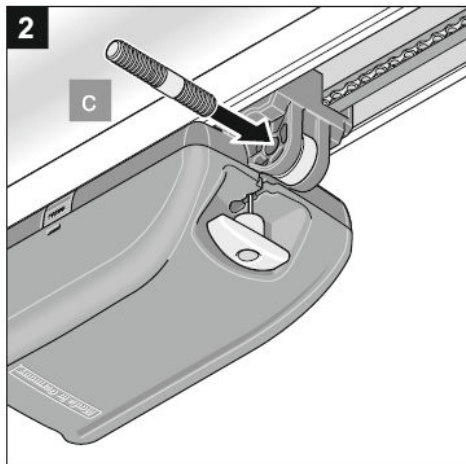
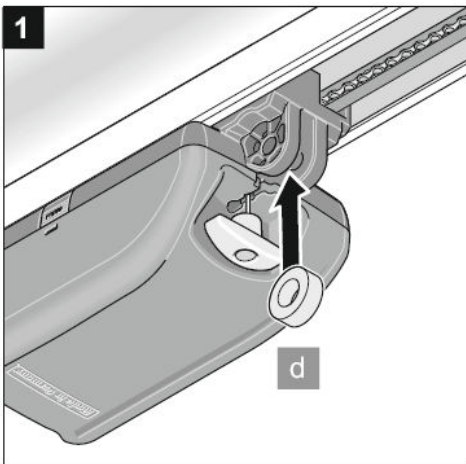
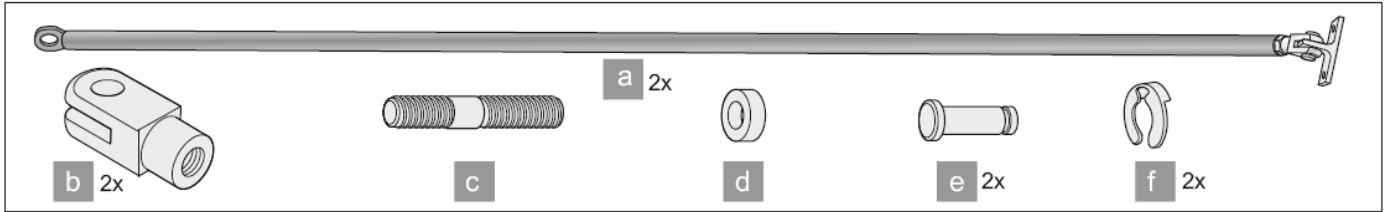
03/2010. Literal errors, errors and technical changes excepted.

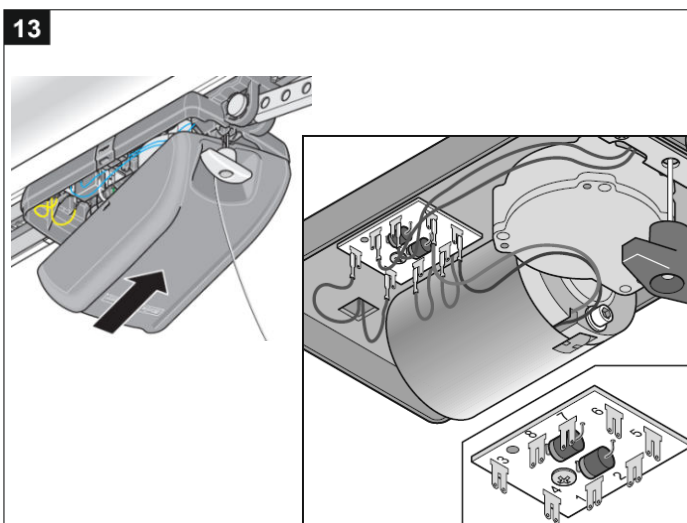
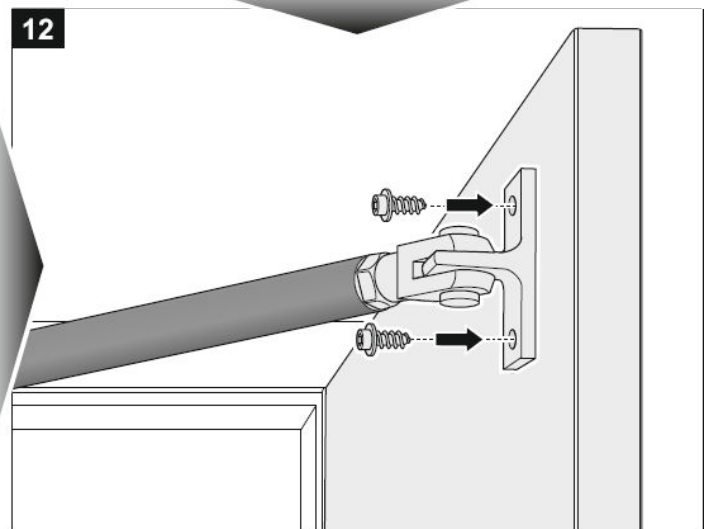
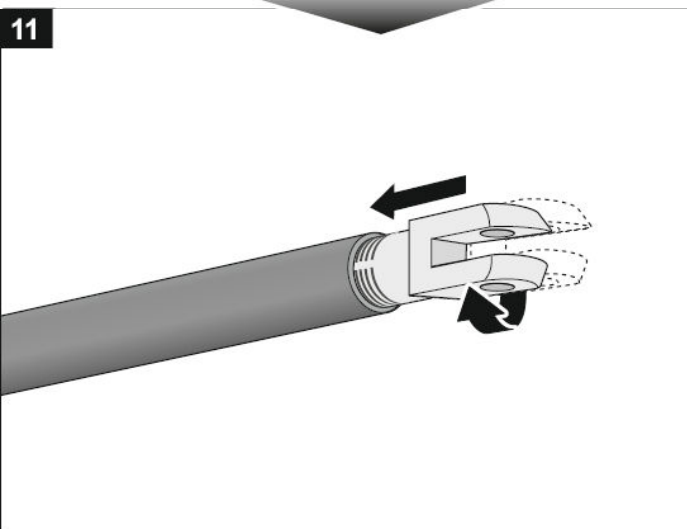
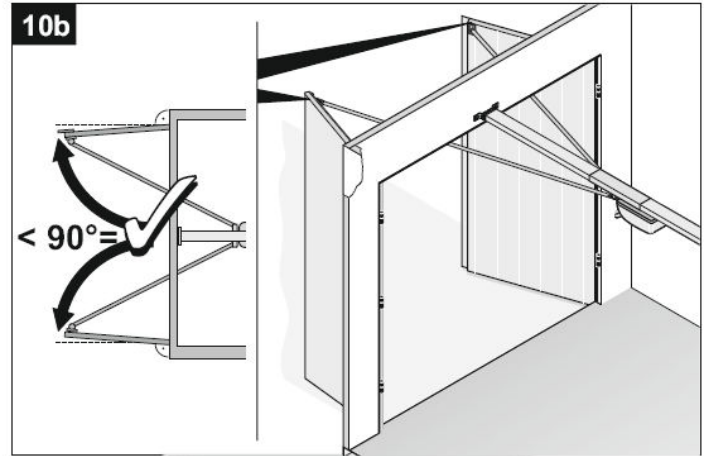
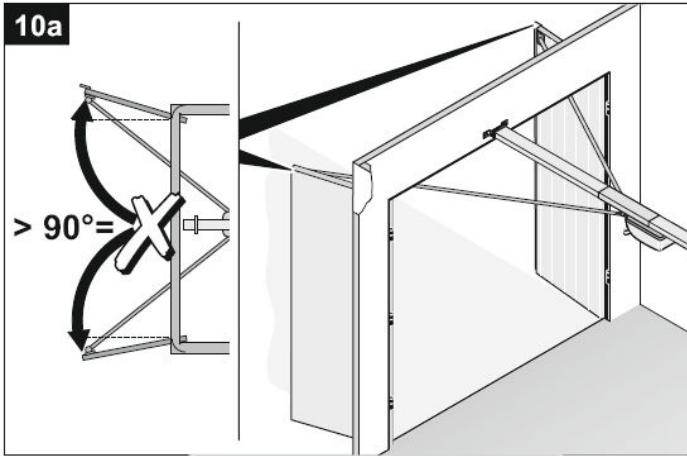
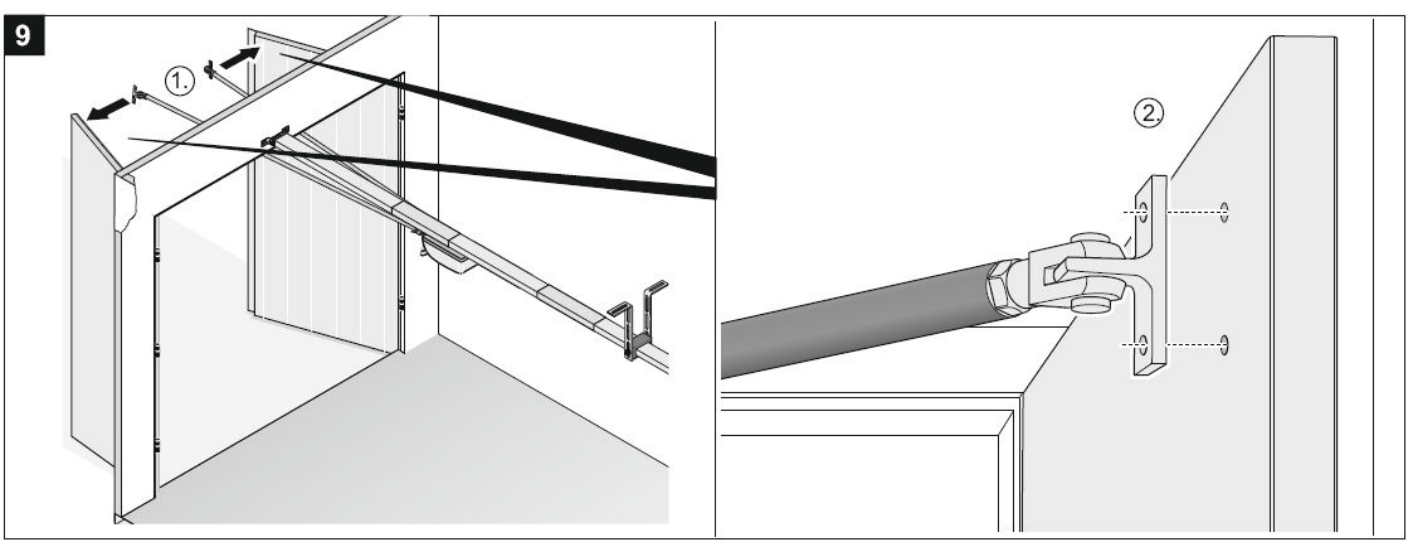


Visit our homepage: www.sommer-usa.com

SOMMER USA, Inc.
3308-C Oak Lake Blvd. • Charlotte, NC 28208
Toll Free: 877 - 766 - 6607
Phone: 704 - 424 - 5787
Fax: 704 - 424 - 7699
Mail: info@sommer-usa.com

Manual Swing Door Fitting no. 1501





Important modification

To allow the opener to work properly on a swing door, you have to modify the synchrois

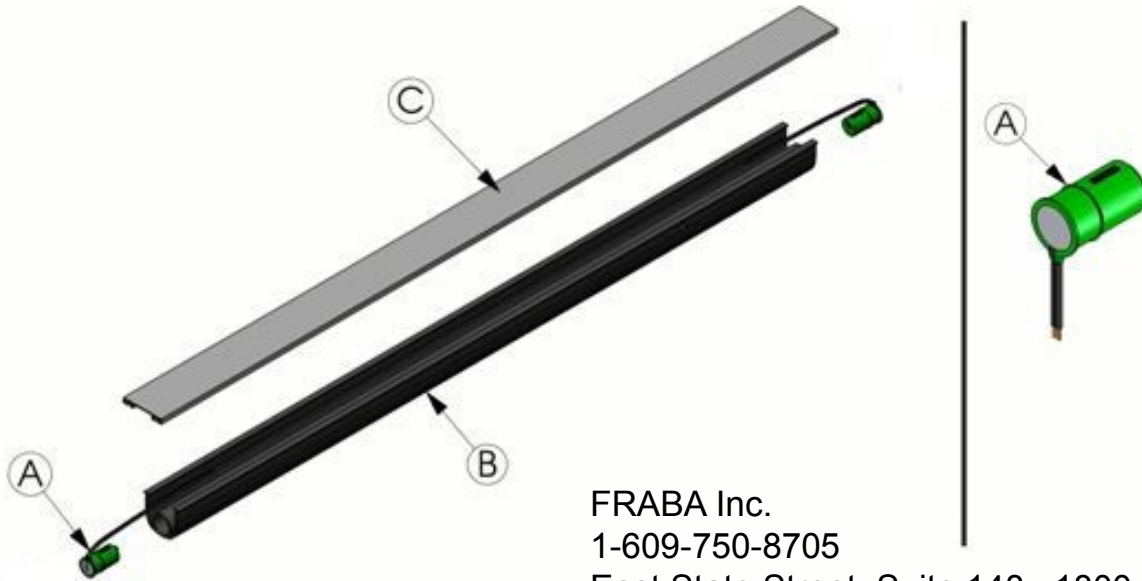
- Remove carriage (motor) cover
- Switch the blue (1) and brown (2) cable

Recommended additional Safety Hardware for the main closing edge

Vitector Fraba:

Sensors (A) Art.No. 10007717-2
Rubber Profile (B) Art.No. 75142050-2
Aluminum Profile (C) Art.No. 79221000-2
Control Unit Art.No. 75111007-2

OSE-S 1500
OSE-P 25 30 00
ALU-2509
OSE-C 1001



FRABA Inc.
1-609-750-8705
East State Street, Suite 148 1800
Hamilton, NJ 08609

Fingersafe USA Inc.:

Fingersafe® is a door hinge guard that prevents fingers from being pinched or crushed at the hinged end of doors.

Fingersafe®USA
(888) 346-4723
115 West Oglethorpe Ave.
P.O. Box 8777
Savannah, Georgia 31412
Email: orders@fingersafe.com

