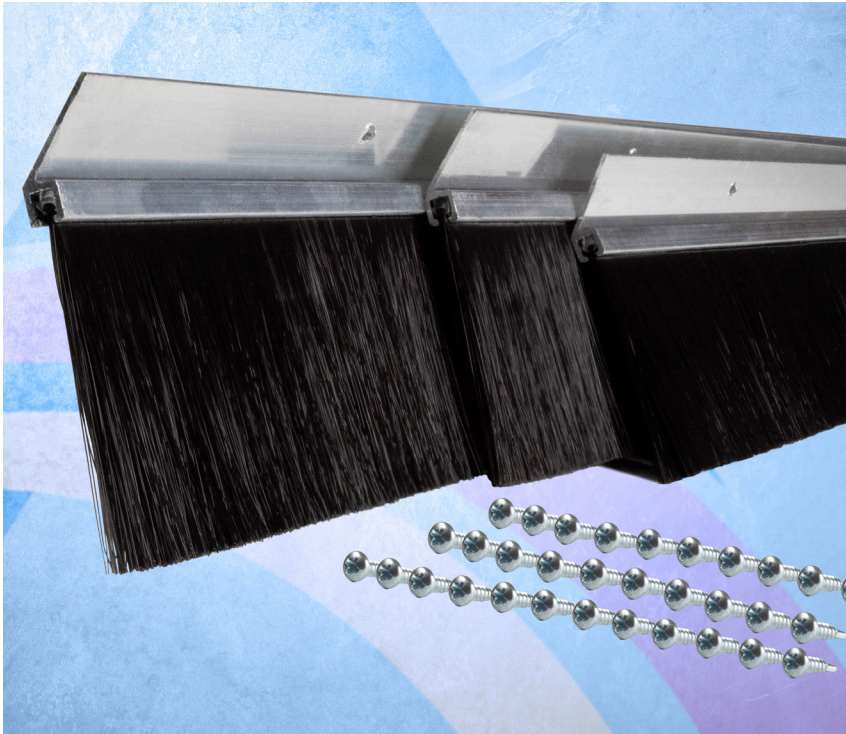


## Pre-Made Brush Seal Kits Standard 45° and 90°



### Pre-Made Brush Seal Kits

Save valuable time with pre-made Brush Seal Kits from Action Industries. A great solution for installers working on residential, commercial, and rolling steel doors. Brush Seal Kits cut down on inventory while freeing up space on your shelf or in your truck. Each kit comes with Flex Brush installed and is available in professional or retail lengths.

Tailor the kit to your exact needs with kits made from Slim-Line and Standard Flex Brush. Available in 8 Ft X 8 Ft, 8 Ft X 10 Ft, 10 Ft X 10 Ft, 12 Ft X 12 Ft, and 12 Ft X 14 Ft sizes, Brush Seal Kits are a great solution for residential and commercial doors. Tailor the kit to your exact needs with kits made from Slim-Line and Standard Flex Brush. Two retainer profiles (90° and 45°) allow you to get the perfect fit for the job. Customize the bristle length of the kit by choosing between 1, 1-1/2, 2, and 3-inch lengths for standard, and 1/2, 3/4, 1, 1-1/2, and 2-inch lengths for Slim-Line.



### Brush Seal Kit Features:

- Available in full length or cut down lengths for easy shipping.
- Available in straight and angled profiles to fit any door.
- Create the perfect seal with customizable brush bristle lengths
- Comes with fasteners needed for installation

# Pre-Made Brush Seal Kits

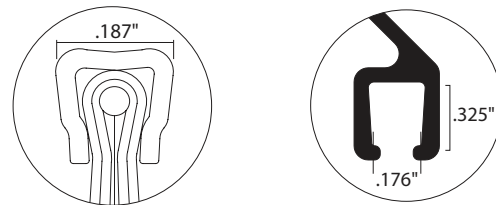
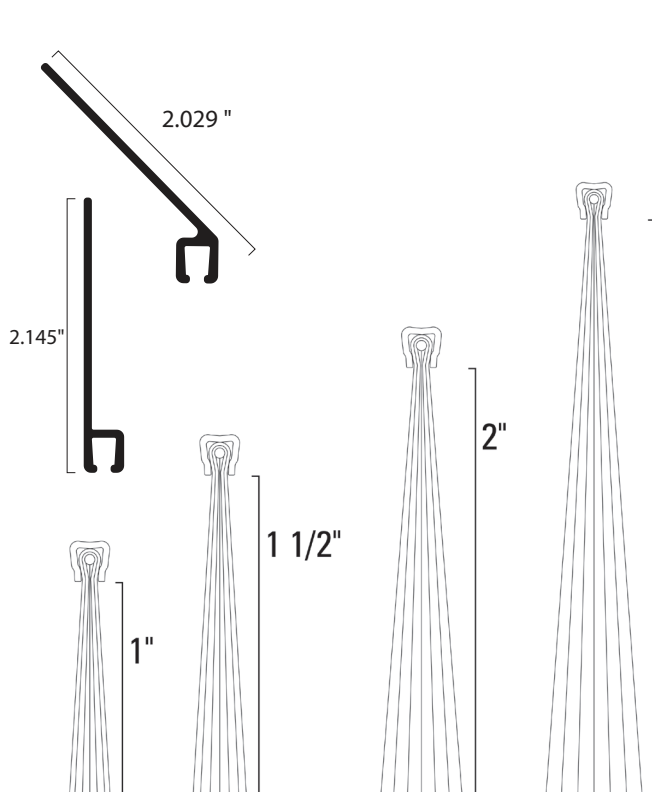
## Standard 45° and 90°



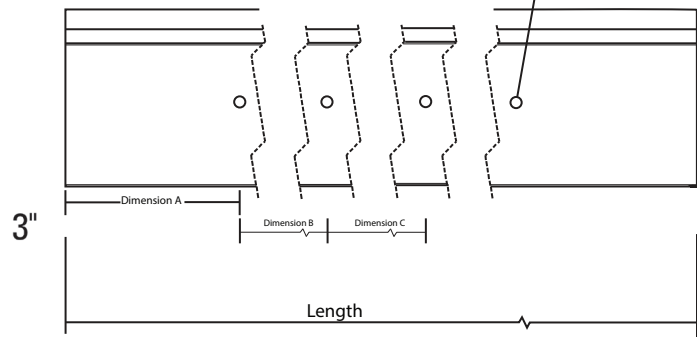
### Pre-Made Brush Seal Kit Details: Standard Brush Seal Kits:

- Available in 45° or 90° profiles
- Custom brush bristle lengths 1", 1-1/2", 2", and 3"
- Easy to install – pre-punched holes, no drilling.
- Everything you need in one box – seal, retainers, nails, instructions

Brush Seal Kits sit flush against the door panels when installed properly



Standard Retainer Measurements



Length	Dimension A	Dimension B	Dimension C
4'1"	4.50"	10.00"	10.00"
5'1"	3.00"	11.00"	11.00"
8'2"	4.00"	10.00"	10.00"
10'2"	2.00"	9.00"	10.00"
12'4"	4.00"	10.00"	10.00"
14'4"	3.00"	8.00"	10.00"



Call for Quote • 800.321.1130  
[www.action-ind.com](http://www.action-ind.com)

# Pre-Made Brush Seal Kits

## Standard 45° and 90°

### STANDARD 45° FULL LENGTH KITS

		Brush Bristle Length			
		1-Inch	1-1/2 Inch	2-Inch	3-Inch
Door Size	8 Ft x 8 Ft	109-0242-SK	109-0243-SK	109-0244-SK	109-0245-SK
	8 Ft x 10 Ft	109-0246-SK	109-0247-SK	109-0248-SK	109-0249-SK
	10 Ft x 10 Ft	109-0250-SK	109-0251-SK	109-0252-SK	109-0253-SK
	12 Ft x 12 Ft	109-0254-SK	109-0255-SK	109-0256-SK	109-0257-SK
	12 Ft x 14 Ft	109-0258-SK	109-0259-SK	109-0260-SK	109-0261-SK



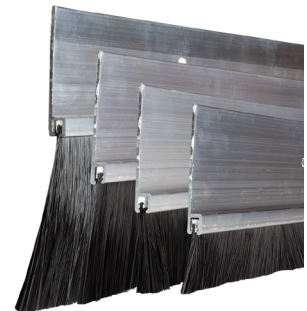
### STANDARD 45° CUT DOWN KITS

		Brush Bristle Length			
		1-Inch	1-1/2 Inch	2-Inch	3-Inch
Door Size	8 Ft x 8 Ft	109-0262-SK	109-0263-SK	109-0264-SK	109-0265-SK
	8 Ft x 10 Ft	109-0266-SK	109-0267-SK	109-0268-SK	109-0269-SK
	10 Ft x 10 Ft	109-0270-SK	109-0271-SK	109-0272-SK	109-0273-SK
	12 Ft x 12 Ft	109-0274-SK	109-0275-SK	109-0276-SK	109-0277-SK
	12 Ft x 14 Ft	109-0278-SK	109-0279-SK	109-0280-SK	109-0281-SK



### STANDARD 90° FULL LENGTH KITS

		Brush Bristle Length			
		1-Inch	1-1/2 Inch	2-Inch	3-Inch
Door Size	8 Ft x 8 Ft	109-0282-SK	109-0283-SK	109-0284-SK	109-0285-SK
	8 Ft x 10 Ft	109-0286-SK	109-0287-SK	109-0288-SK	109-0289-SK
	10 Ft x 10 Ft	109-0290-SK	109-0291-SK	109-0292-SK	109-0293-SK
	12 Ft x 12 Ft	109-0294-SK	109-0295-SK	109-0296-SK	109-0297-SK
	12 Ft x 14 Ft	109-0298-SK	109-0299-SK	109-0300-SK	109-0301-SK



### STANDARD 90° CUT DOWN KITS

		Brush Bristle Length			
		1-Inch	1-1/2 Inch	2-Inch	3-Inch
Door Size	8 Ft x 8 Ft	109-0301-SK	109-0302-SK	109-0303-SK	109-0304-SK
	8 Ft x 10 Ft	109-0305-SK	109-0306-SK	109-0307-SK	109-0308-SK
	10 Ft x 10 Ft	109-0309-SK	109-0310-SK	109-0311-SK	109-0312-SK
	12 Ft x 12 Ft	109-0313-SK	109-0314-SK	109-0315-SK	109-0316-SK
	12 Ft x 14 Ft	109-0317-SK	109-0318-SK	109-0319-SK	109-0320-SK

