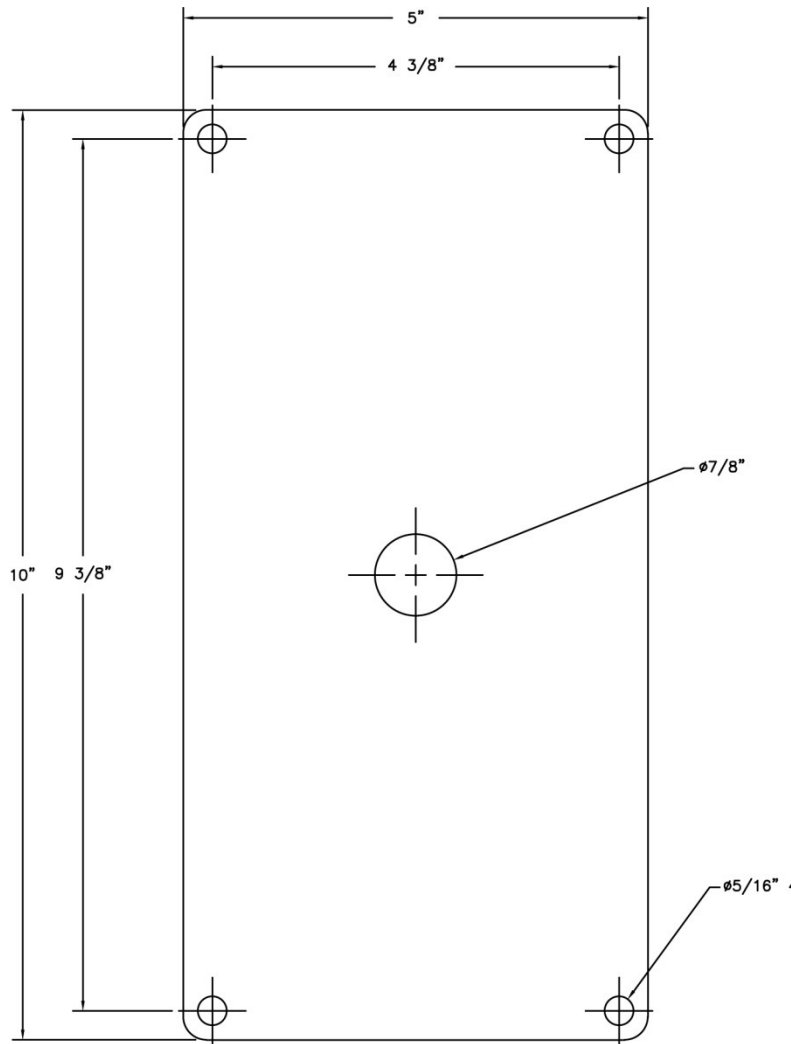
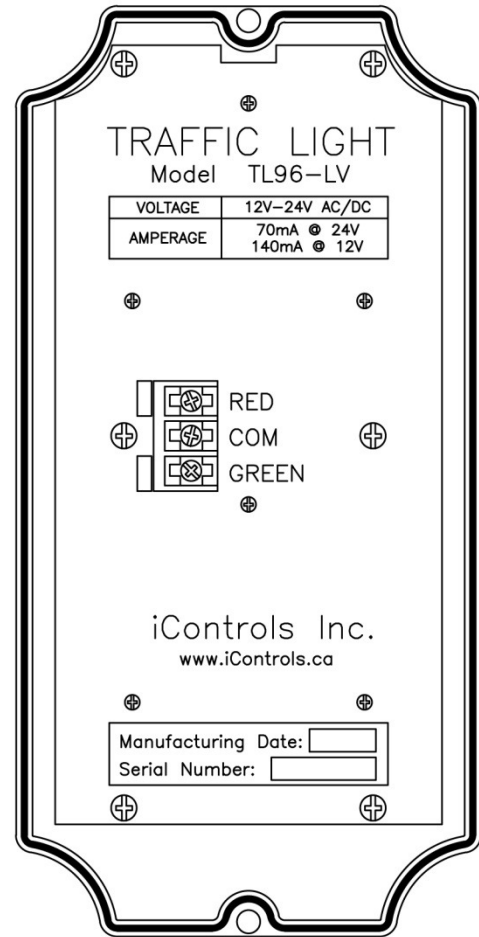


1. Disassemble the Front Cover from the Housing by removing the two provided Cover Mounting Screws (5/8" stainless steel 8-32 thread).
2. Install wall anchors that accept up to 5/16" thread screws (not supplied), using the mounting dimensions on the reverse of this page as reference, in preparation to fasten the enclosure to the wall.
3. Run and mount conduit (not provided) through or up the wall to meet either the back center or bottom of the Housing, and remove the appropriate 7/8" knockout. **DO NOT CONNECT CONDUIT/WIRING THROUGH THE TOP OR SIDE OF THE ENCLOSURE.**
4. Mount the rear Foam Backing Gasket and secure the enclosure to the wall using 4 (four) 1/4" or 5/16" thread stainless steel Wall Mounting Screws (not provided), and connect the conduit to the enclosure using a suitable connector.
5. Run the wiring and then connect to the clearly marked terminals on the rear of the Front Cover of the light (see Front Cover Inside View on reverse for reference).
6. Fasten the light to the mounted enclosure using the Cover Mounting Screws.



Mounting Hole Dimensions
(not to scale)



Front Cover
Inside View

Replacement Parts List:

Housing Base, Yellow	TL96-01A-YL
Housing Base, Black	TL96-01A-BK
Front Cover, Yellow	TL96-01B-YL
Front Cover, Black	TL96-01B-BK
Red Lens	TL96-02-RD
Green Lens	TL96-02-GR
Printed Circuit Board, 12/24V	TL96-03-LV

Foam Backing Gasket	TL96-04
Rope Gasket for Front Cover	TL96-05
Circular Gasket for Lens	TL96-06
Cover Mounting Screws	TL96-07
PC Board Mounting Screws	TL96-08
Lens Mounting Screws	TL96-09