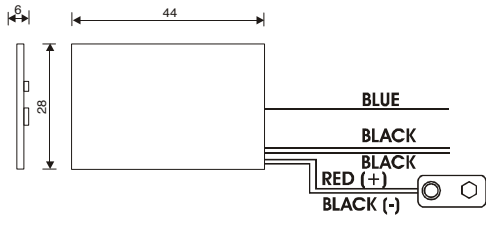

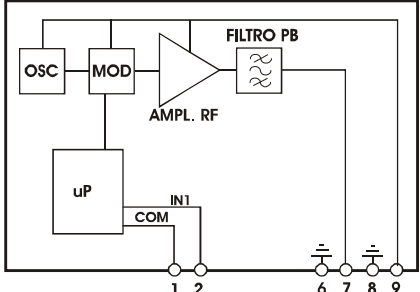


PUSHING FOR BETTER SOLUTIONS

# TRAYHANBUT433 Transmitter Module

<b>Description</b>	Saw transmitter module with external aerial and internal security code ( Keeloq™ code hopping )				
<b>Applications</b>	RF Transmissions of digital signal from pure contacts				
<b>Technical specifications</b>	<b>Parameter</b>	<b>Min</b>	<b>Typ</b>	<b>Max</b>	<b>Unit</b>
	Band	433,05 – 434,790			MHz
	Carrier frequency	-	433,92	-	MHz
	Carrier frequency tolerance	± 100			KHz
	E.r.p emitted power	-	-	+ 10	dBm
	Spurious emissions	-	-	-73	dBm
	Modulation	AM / ASK			
	Baud-rate	-	834	-	Bit/sec
	Output load	-	50	-	Ω
	Power supply	-	+9	-	V
	Current consumption	-	-	17	mA
	Dimensions ( l x h x p )	1-3/4 x 1 x 1/4			mm
	Operating temperature	- 4 to + 158			°F
	Wirings	9V Battery connection + 1 antenna + NO input			200 mm
	Input	1			-
	Input type	Pure contact			
Security coding	Keeloq™ code hopping				
Security code combinations	2 <sup>64</sup>				

<b>Mechanical specifications</b>		
----------------------------------	---	--

<b>Block Diagram</b>		<b>WIRINGS</b>
		<p>1 : BLACK = N.O. INPUT CONTACT          2 : BLACK = N.O. INPUT CONTACT          7 : BLUE = ANTENNA          9 : RED = POWER SUPPLY (+ 9Vdc)          8 : BLACK = POWER SUPPLY (0V)</p>