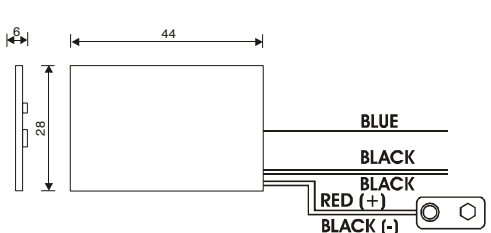

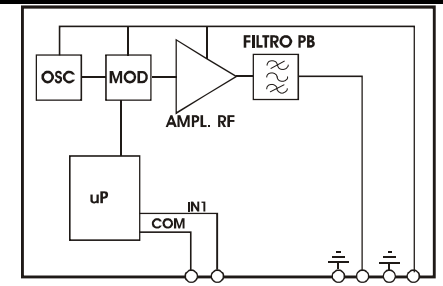


PUSHING FOR BETTER SOLUTIONS

TRAYHANBUT868 Transmitter Module

Description	Saw transmitter module with external aerial and internal security code (Keeloq™ code hopping)				
Applications	RF Transmissions of digital signal from pure contacts				
Technical specifications	Parameter	Min	Typ	Max	Unit
	Band	868,00 – 868,60			MHz
	Carrier frequency	-	868,30	-	MHz
	Carrier frequency tolerance	± 100			KHz
	E.r.p emitted power	-	-	+ 10	dBm
	Spurious emissions	-	-	-73	dBm
	Modulation	AM / ASK			
	Baud-rate	-	834	-	Bit/sec
	Output load	-	50	-	Ω
	Power supply	-	+9	-	V
	Current consumption	-	-	17	mA
	Dimensions (l x h x p)	1-3/4 x 1 x 1/4			inch
	Operating temperature	- 4 to + 158			°F
	Wirings	9V Battery connection + 1 antenna + NO input			200 mm
	Input	1			-
	Input type	Pure contact			
Security coding	Keeloq™ code hopping				
Security code combinations	2 ⁶⁴				

Mechanical specifications		

Block Diagram		<p style="text-align: center;">WIRINGS</p> <p>1 : BLACK = N.O. INPUT CONTACT 2 : BLACK = N.O. INPUT CONTACT 7 : BLUE = ANTENNA 9 : RED = POWER SUPPLY (+ 9Vdc) 8 : BLACK = POWER SUPPLY 0V</p>