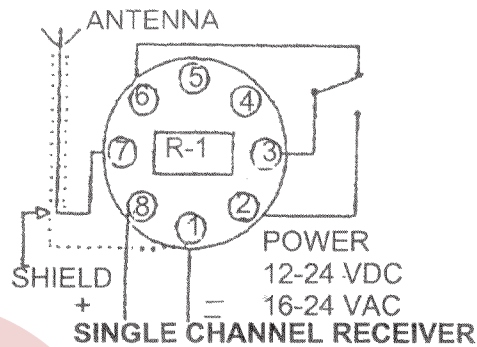
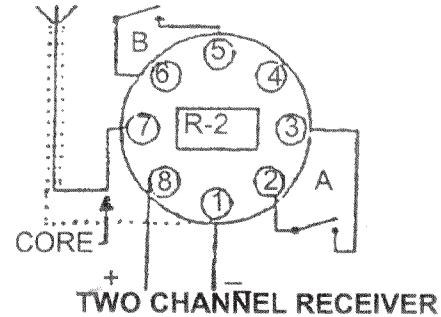


ALBANO WIRING INSTRUCTIONS



NOTE: RELAY WILL ACTIVATE WITH RIGHT HAND BUTTON OF TWO CHANNEL TRANSMITTER, OR WITH A ONE CHANNEL TRANSMITTER



NOTE: RELAY "A" OPERATES FROM LEFT HAND BUTTON OF A TWO CHANNEL TRANSMITTER ONLY. RELAY "B" OPERATES FROM RIGHT HAND BUTTON OF TWO CHANNEL TRANSMITTER AND ALSO FROM ONE CHANNEL UNITS

The Albano receiver will work best at 12VDC! Although the specifications show that the receiver works on 12 to 24VDC or 18 to 24 VAC it is our experience that 12VDC is the best input voltage to use. A plug in style transformer can be purchased as an option or an internal transformer is available depending on your application.

The 8 pin plug in base is best pre wired before installing.

Attach a wire approximately 4 to 6 inches long to terminal 1 of the plug. This will be used to wire nut to the sheiding of the power antenna. The center core of the power antenna will be wired to terminal 7. This will work for both the R-1 and R-2.

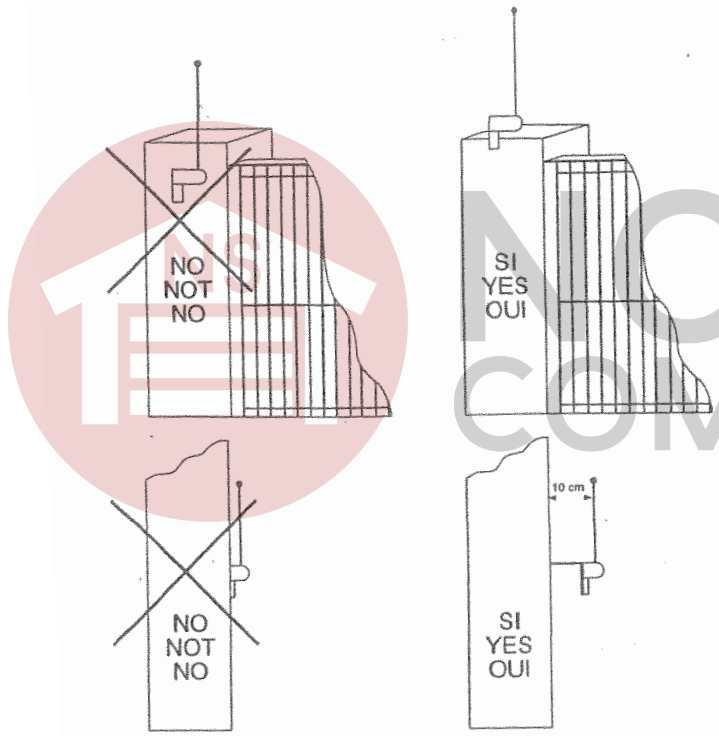
The negative side of the power input (12VDC) will go to terminal 1 of the plug and the positive to terminal 8.

Your relay output of the receiver is on terminals 2, 3, and 6.

The normally open circuit is 2 & 3 on the R-1 receiver.
The normally closed circuit is 3 & 6 on the R-1 receiver.

The R-2, two channel receiver has two normally open circuits.
Channel 1 is 2 & 3.
Channel 2 is 5 & 6.

ANTENNA / AERIAL / ANTENNE



NORTH SHORE
COMMERCIAL DOOR.COM