

SensingEdge

Applications

- **Rolling Steel Doors**
- **Material Handling Systems**

About the MT22...

The MT22 pressure sensitive electric edge is custom manufactured to your exact specifications for length, width, height and sensitivity. When touched lightly or at an angle, the MT22 will send an immediate electrical signal to your controls to stop, and/or reverse operations. It is completely flexible and will contour curved surfaces. In addition to being a sensing device, the MT22 also acts as a weatherstrip on doors to help save energy. Contact us with your specifications and we will design the best SensingEdge for your application.



OPTIONS:

- 4 wire N.O. configuration
- Pneumatic (MTP22) Air-Wave (MTAW22)
- 4-wire control panel (MFSC-100)
- Yellow/Black striped outer cover material
- 4-wire intrinsically-safe control panel (FSIS-25-4)
- XR-5 chemically resistant cover for protection against:

kerosene	50% phosphoric acid
diesel fuel	50% hydrochloric acid
JP-4 jet fuel	50% acetic acid
salt water	SAE-30 oil

TECHNICAL SPECIFICATIONS:

Color:	Black, Yellow, Gray, White, Y/B Stripe
Length:	per specification to nearest 1/4
Lead Wire:	SJTO, 18 gauge, 2ft. length or 22 gauge universal
Sensitivity:	nominal 6-8 psi
Electrical Diagram:	2 wire N.O. configuration
Electrical Requirements:	24 volt AC or DC, 1/2 amp
Mechanical Diagram:	See drawings on reverse side
Contact Element:	Alumaglas®
Materials:	Heavy Duty Reinforced PVC
Temperature Range:	-30°F to +155°F
Wire Outlet Location:	Right side, Left side or End

FUNCTIONAL BENEFITS:

- Touch Sensitive signalling
- Small profile
- Easy to Install
- Stock sizes available for same day shipment
- Mounts horizontally
- ANSI/UL325 Recognized Component



Model # MT22

SensingEdge

Installation

To install remove edge from shipping container and lay out flat and straight. Close air valve. Position edge in desired location and attach with screws through mounting flange at ends and center. Continue to attach edge by securing mounting flange with screws placed 24" apart. Do not place screws below seal line. For detailed installation & wiring instructions, contact MillerEdge, Inc.

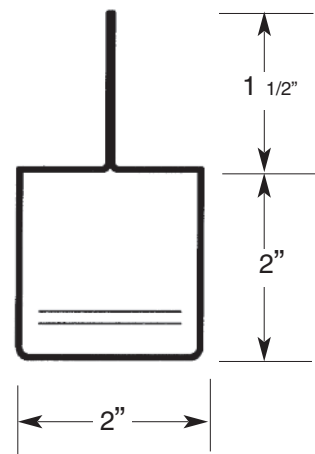
Care of the ME123. . .

Minimal care is required for MT style SensingEdges since they are manufactured with only the most durable materials and the highest quality control standards. However, SensingEdges should be examined regularly for cuts or punctures which could damage internal components. Also check wiring to be sure connections are secure. When properly maintained, the MT22 offers years of trouble-free operation.

Warranty

We will replace within one year of shipment from our factory, any SensingEdge subject to normal use which is found to have defective materials or workmanship, as determined solely by our factory representative. Replacements will be shipped to you freight collect. This warranty is void where evidence of misuse or abuse is present.

Mechanical Diagrams:



U.S. Patent #4,398,814 CAN. PAT. #1,048,066 OTHER PATENTS APPLY

MT22_Spec_20100210

P.O. Box 159 • West Grove, PA 19390 • (610)869-4422 • Fax: (610)869-4423 • 800-220-3343
6809 South Harl Avenue, Suite A, Tempe, AZ 85283 • (480)755-3565 • Fax (480)755-3558 • 800-887-3343
www.milleredge.com