



1KXL

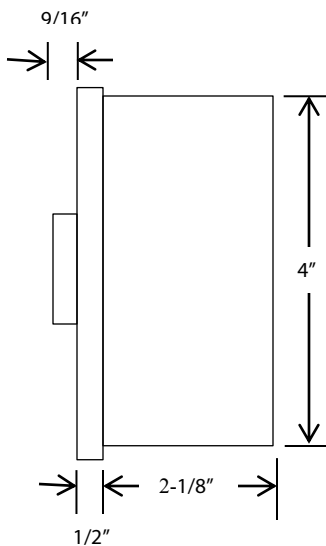
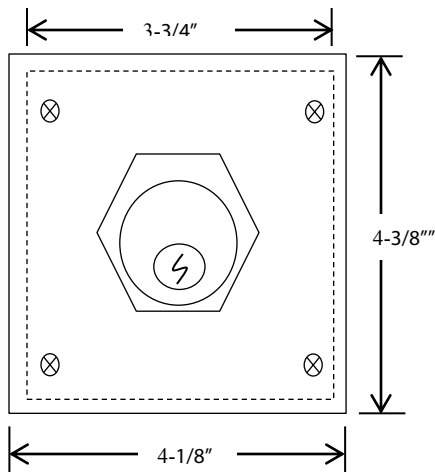
KEYED CONTROL

- o NEMA 3R, 4, 12
- o SURFACE MOUNT
- o TWO POSITION (ON-OFF)
- o ALUMINUM DIE CAST ENCLOSURE
- o CYLINDER: MORTISE TYPE (5 PIN)
- o KEYSWITCH: 20 amp @ 125VAC
- o KEYSWITCH: 15 amp @ 250VAC

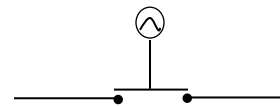
ON-OFF Keyswitch where power is activated when key turned to ON position and deactivated when key turned to OFF position.

AVAILABLE WITH BEST CORE CYLINDER OR EQUIVALENT, SLF TYPE LARGE FORMAT EQUIVALENT, CC (CHANGEABLE CYLINDER) VERSION

DIMENSIONS



WIRING



SHOWN IN "OFF" POSITION



NORTH SHORE
COMMERCIAL DOOR.COM

162 Edgewood Street Elyria, Oh 44035

P: 800 783 6112 • F: 440 365 3514

support@northshorecommercialdoor.com